

Section 9 — Parts List

Item numbers contained in circles indicate complete assemblies. Item numbers not contained in circles indicate individual parts.

Order parts by Lucht part number, description and quantity desired — not by item number. Individual parts that are part of a larger assembly are indented and listed under the assembly description. If the assembly number is ordered, all the parts indented under that number will be included in the order.

This parts list is subject to change without notice.

Refer to the following figures:

Figure 19 — Main Frame and Covers 63

Figure 20 — Shutter Drawer Assembly 65

Figure 21 — Rotary Table Assembly 67

Figure 22 — Negative Hold-down Components 71

Figure 23 — Basic Negative Cleaner 73

Figure 24 — Riser Block Assembly 75

Figure 25 — Paper Rollers 77

Figure 26 — Paper Protector Assembly 81

Figure 27 — Back Panel Components 85

Figure 28 — Lens Drawer Receptor Area 87

Figure 29 — Lens Drawer Assembly 89

Figure 30 — Paper Rollers (With Optional Canisters) 91

Figure 31 — Lucht Paper Canister (Optional) 95

Main Frame and Covers

Item #	Part #	Description
1	130207	Door Glide
2	365512	Retainer - Support Pin
3	160188	Shaft Mount - Glide
4	365230	Latch - Platen
5	365122	Plate - Retaining
6	270155	Bracket - Roller, Left
7	270156	Bracket - Roller, Right
8	280475	Shaft - Glide
9	290101	Cover Ass'y - Access Opening
10	210260	Fastener - 1/4 Turn, Slotted
11	700218	Retainer - Split Ring
12	361351	Tape - Foam .250 thk. x .500 x 5.00 ft.
13	700986	Washer - Wear
14	700204	Receptacle - Leaf Spring
15	700803	Bearing - Snap-in, .375 I.D.
16	373320	Kit - Retro, Roller Assembly, Left and Right
18	700081	Screw - BHC, 8-32 x .38
20	360228	Foot Switch Ass'y
21	702647	Terminal - Spade, Tng
22	700286	Cable - Shielded, 2-Conductor
23	701165	Foot Switch - SPDT
24	*	Controller
25	130212	Slide - Controller Drawer
26	130211	Guide - Controller Drawer Slide
27	364237	Cover - Back
28	700161	Handle - Back Cover
29	280295	Trim Strip - Shutter Drawer
33	706669	Caster - 3" Dia., Rear
34	372316	Door Ass'y - Paper Cabinet
35	372625	Door - Paper Cabinet
36	703302	Handle - Paper Cabinet w/Key
37	355479	Pin - Hinge
38	365511	Bracket Weldment - Mounting
39	320143	Trim Strip - Top Panel
40	365478	Keyboard/Monitor Support Ass'y
42	372320	Switch - Snap Action
43	250166	Plate - Latch
44	210234	Latch - Catch
45	110587	Bushing - Catch Latch
46	240122	Owner's Manual - Twin Drive (not shown)
47	200130	Fastener/Spare Parts Kit (not shown)
48	700041	Connector - Lamphouse
49	365489	Bearing - Hinge
50	368535	Frame Weldment - Tray
51	706670	Caster - 3" Dia., w/Brake, Front
—	200134	Keeper - Lens Drawer, Modulatch (not shown)
—	702016	Spring - Keeper .480 O.D. x .75 (not shown)
—	700804	Bearing - Lens Drawer Support (not shown)

* Refer to the controller instruction manual supplied with your printer

Lucht, Inc. • 11201 Hampshire Ave. S., Bloomington, MN 55438-2454 • (612) 829-5444 • Fax (612) 829-7544

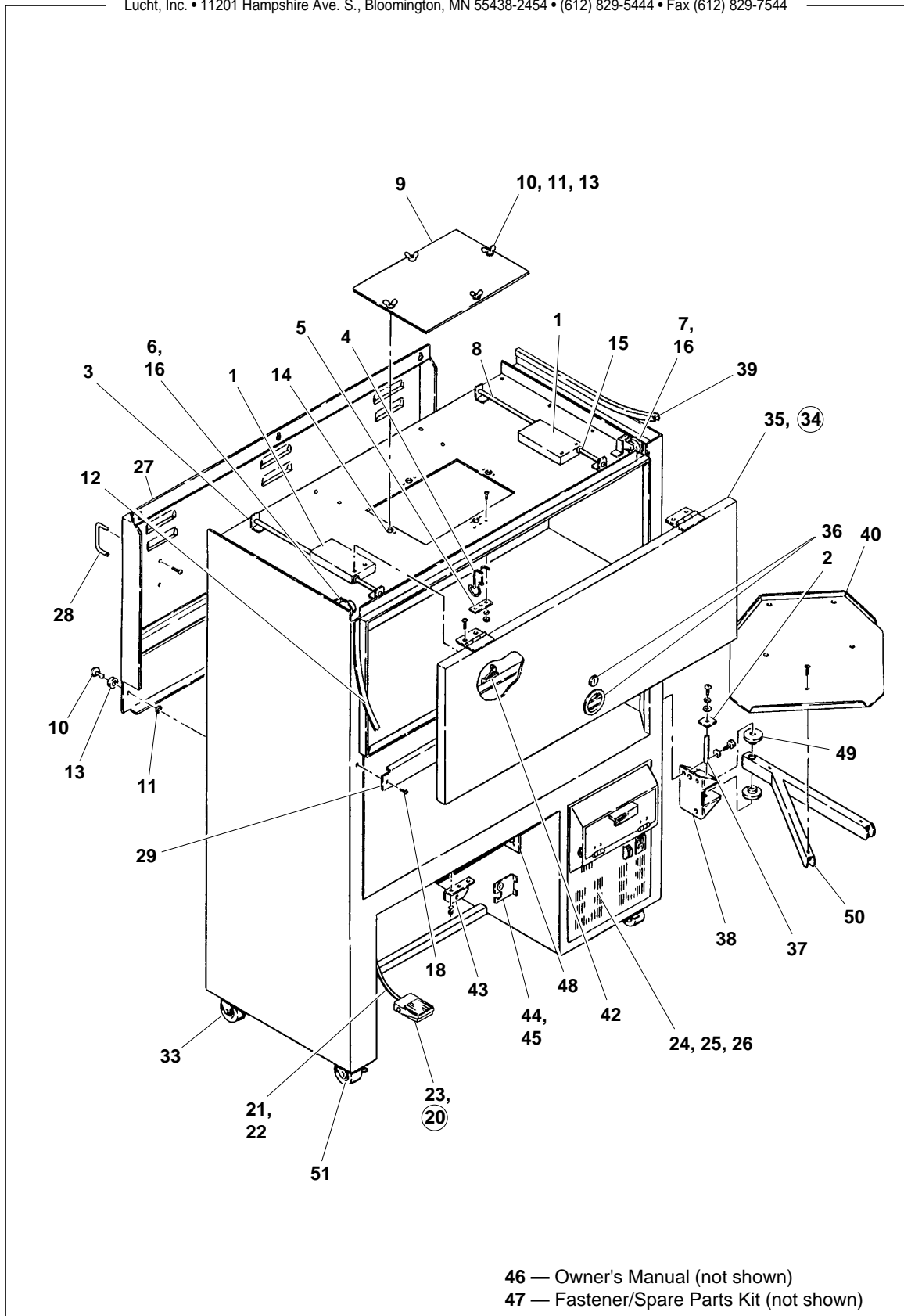


Figure 19 — Main Frame & Covers

Shutter Drawer Assembly

<i>Item #</i>	<i>Part #</i>	<i>Description</i>
1	371793	Housing Ass'y - Shutter
2	368746	Blade - Split Shutter, Rear
3	371589	Panel - Slide Drawer, Shutter, LH
4	701230	Standoff - SLFCLG, 6-32 x .50
5	368745	Rail - Slide, Shutter
6	371588	Panel - Slide Drawer, Shutter, RH
7	706263	Fitting - Elbow, Male, Swivel, 90°
8	700433	Magnet - Ceramic, .50 x 1.00 x .38
9	702633	Tape - Transfer, .50W, A-10 150 Tac
10	702559	Tubing - Heat Shrink, .750 I.D.
11	707137	Air Cylinder - .75 Bore x 10.50 Stk., Dbl. Acting
12	369125	PCB Ass'y - SHE, 5 VDC
13	374259	Bracket W/F - PCB, Shutter Drawer
14	700009	Bracket - Clevis w/Pin
15	706508	Fitting - Connector, Male, .125 NPT x .250 O.D.
16	701696	Screw - SHL, SK, .25 D x .62 L, 10-24 x .38
17	701898	Plug - Pipe, Slotted, 1/8 NPT, Brass
18	706508	Fitting - Connector, Male, .125 NPT x .250 O.D.
19	701374	Fitting - Elbow, .25 O.D. x 10-32, w/2 Gasket
20	700885	Fitting - Tube, 10-32 x .25 O.D., Barbed
21	706506	Fitting - Tee, Branch, 360° Swivel, Female, .250 O.D.
22	700295	Clamp - Cable, .375 Dia. Cable, Nylon
23	368752	Collar - Cylinder, Shutter
24	706517	Air Cylinder - Rotary, 180°, 2.8 Torque, DBL. Acting
25	368749	Bracket - Cylinder, Shutter Drawer
26	368764	Blade - Shutter, Front
27	371242	Mount - Stop, In
28	362083	Washer - Retaining, .267 I.D., .875 O.D., .038 Thk.
29	371241	Stop Ass'y - Shutter
30	371243	Mount - Stop, Out
31	371587	Panel W/F - Drawer, Shutter, TDP
32	706891	Tubing - PEU, .16 I.D. x .25 O.D.
33	701375	Coupler - Socket
34	700404	Grommet - Rubber, .375 I.D.
35	361077	Bracket - Connector
36	369124	Harness - Housing, Shutter
37	706503	Valve Ass'y - Sol, 2 Way, 24 VDC (Dark Shutters)
38	369133	Valve Ass'y - Sol, 4 Way, 24 VDC (Quad Shutters)
39	371552	Valve - Solenoid, 24V, 0-100 PSI, 3 O'clock
40	371553	Valve - Solenoid, 24V, 0-100 PSI, 9 O'clock

Lucht, Inc. • 11201 Hampshire Ave. S., Bloomington, MN 55438-2454 • (612) 829-5444 • Fax (612) 829-7544

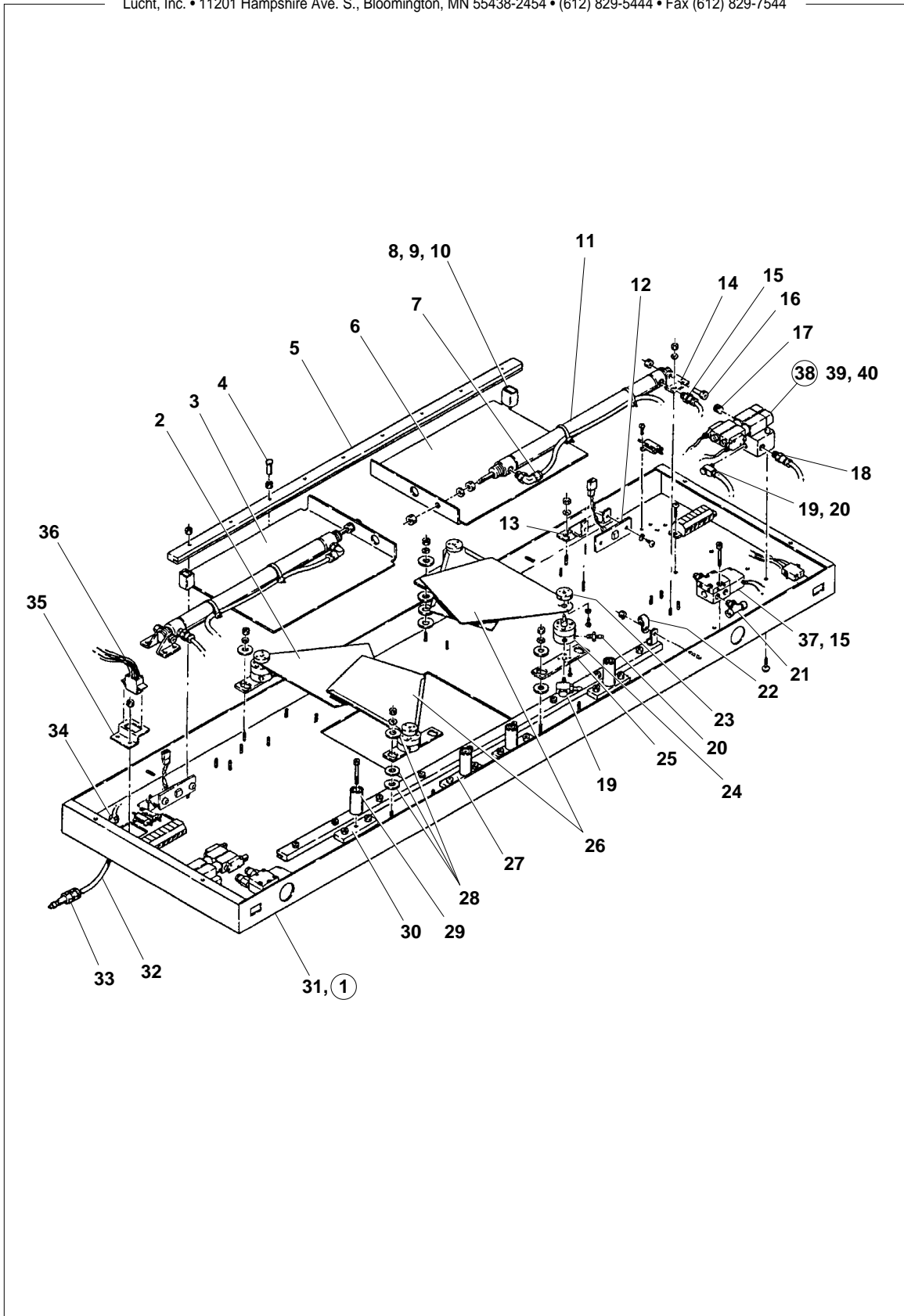


Figure 20 — Shutter Drawer Assembly

Rotary Table Assembly

Item #	Part #	Description
1	290295	Turntable Air Cylinder Ass'y
2	220431	Mount - Air Cylinder
3	250421	Plate - Air Cylinder Mount
4	360276	Air Cylinder - .75 Bore x 8.0 Stroke
5	700382	Washer - Lock, Int., #8
6	700598	Washer - Lock, Int., 1/4"
7	700710	Nut - Hex, 1/4"-28
8	700339	Screw - SHCS, 8-32 x .50
9	700885	Fitting - 1/4" Barbed
10	701362	Reducer - 1/8 NPT Male to 10-32 Female
11	700369	Screw - SHS, 1/4"-20 x .25
12	270270	Rotary Table Ass'y
13	110578	Base - Table
14	110593	Bracket - Cropping, Cylinder Mount
15	120417	Clevis - Pivot
17	270269	Ring - Retaining, Bearing
18	270276	Top Ass'y - Rotary Table
19	280291	Standoff - Adjustment
20	280511	Stop - Rotary Table
21	280513	Screw - Adjustment
22	280599	Seal - Bearing
23	290270	Pivot Arm Ass'y - Turntable, w/Bearing
24	360027	Mounting Bracket - PCB
25	250590	PCB Assembly - T.H.E.
26	361603	Actuator - Cropping
27	700095	Screw - SHC, 10-24 x .75
28	700442	Plug - Hole
31	700386	Washer - Lock, Int., #10
32	700830	Fitting - Barbed, 10-32 to .078 I.D.
33	701231	Nut - Hex, 10-24
34	701490	Bearing - Ball
35	701664	Ball - .125 dia., Nylon
36	701666	Bearing - Rod End
37	701667	Cylinder - Air w/Pin, .437 Bore x .50 Stroke
38	706700	Shock Absorber - Self Adjusting
39	701673	Screw - CPSS, 8-32 x .25
40	701696	Screw - SHS, .25 x .625
41	701721	Screw - FHSC, 10-24 x .50
42	702509	Screw - SHS, 1/4"-20 x .50
43	702600	Screw - SHC, 1/4"-20 x 2.00
44	700594	Nut - Hex, 1/4" -20
45	700144	Washer - Flat, 1/4"
46	700605	Washer - Flat, #6 SAE
48	700834	Nut - Hex, Jam 1/2" -20 (Not Shown)
49	700339	Screw - SHC, 8-32 x .50"
50	280614	Shim - .257 I.D. x .500" O.D. x .005" Thk.

(continued)

Lucht, Inc. • 11201 Hampshire Ave. S., Bloomington, MN 55438-2454 • (612) 829-5444 • Fax (612) 829-7544

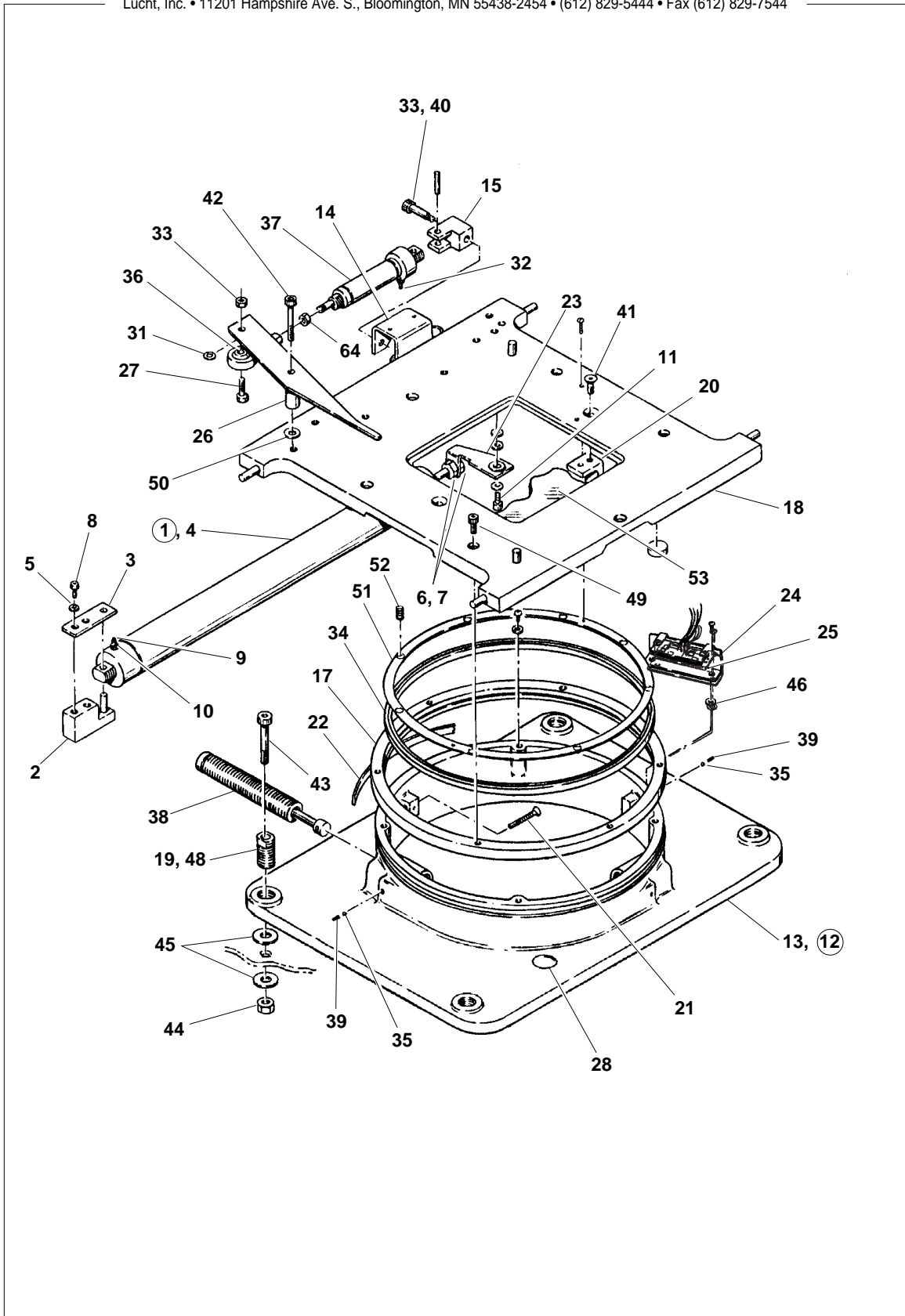


Figure 21 — Rotary Table Assembly

Rotary Table Assembly (cont'd)

<i>Item #</i>	<i>Part #</i>	<i>Description</i>
51	368300	Ring - Stabilizing
52	706376	Spring - Compression, .032WD x .180 O.D.
53	130155	Diffuser (Standard) - 1/8" Thk.
53	130222	Diffuser (Optional) - 1/16" Thk.
53	130193	Diffuser (Optional) - Small, Curved
53	130247	Diffuser (Optional) - Medium., Curved
53	130248	Diffuser (Optional) - Large, Curved
—	*	Riser Block Ass'y (not shown)
—	*	Hold-down Plate (not shown)

Negative Hold-down Components

<i>Item #</i>	<i>Part #</i>	<i>Description</i>
1	365070	Knob - Cylinder Adjustment
2	700830	Fitting - Barbed
3	120417	Clevis - Pivot
4	361628	Cylinder - Air
5	700132	Nut - Nex, 10-32
6	700343	Screw - SHC, 10-32 x .5
7	701666	Bearing - Rod End, Female
8	230146	Hold-down Arm - Negative
9	280596	Stud - Ball
10	701741	Screw - SHC, 10-24 x 1.00
11	706547	Shim - .257 I.D. x .500 O.D. x .005 thk.
12	700132	Nut - Nex, 10-32
13	701665	Bearing - Rod End, Male
14	700601	Washer - Lock, Int. #10
15	700343	Screw - SHC, 10-24 x .5
16	110594	Bracket - Cylinder Mounting
17	365072	Bolt - Cylinder Adjustment
18	110599	Mounting Bracket - PC Board
19	701101	Washer - Nylon, Flat #6
20	250532	PCB Ass'y - THE
21	700331	Screw - BHC, 6-32 x .25
—	290286	Flat Cable - Table Reverse, w/Connector (not shown)

Lucht, Inc. • 11201 Hampshire Ave. S., Bloomington, MN 55438-2454 • (612) 829-5444 • Fax (612) 829-7544

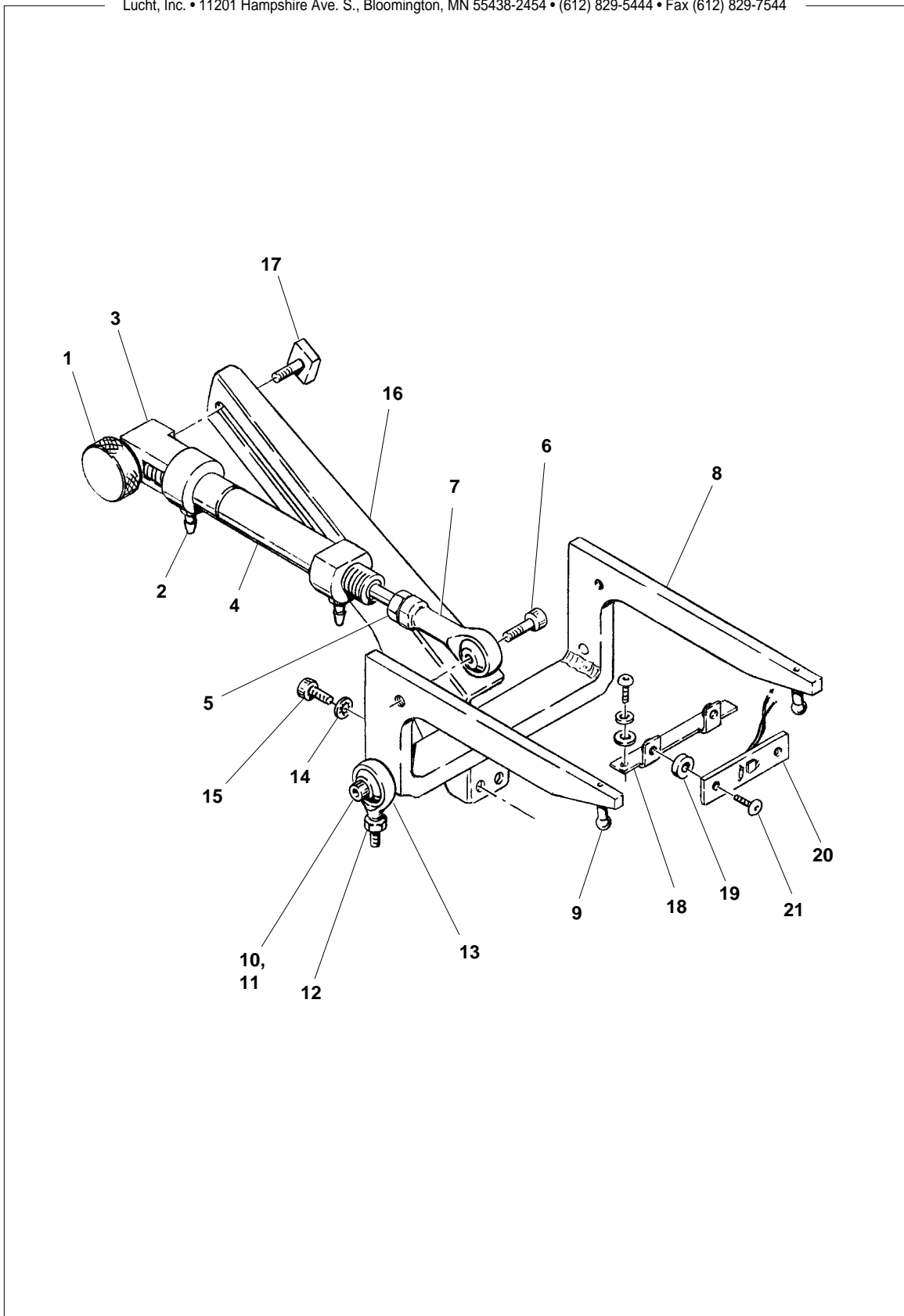


Figure 22 — Negative Hold-down Components

Basic Negative Cleaner

<i>Item #</i>	<i>Part #</i>	<i>Description</i>
-	363370	Negative Cleaner Retrofit Kit
1	701374	Fitting - elbow, with gasket, 10-32
2	700830	Fitting - barbed, 10-32 x 1/8 O.D. tube
3	700547	Screw - PPH, 6-32 x 1/2
4	700879	Tube - .175 O.D. x .078 I.D.
5	702088	Fitting - tee, barbed
6	703131	Fitting - barbed, 10-32
7	363352	Block - negative cleaner, right
8	363349	Retainer - negative cleaner block
9	700135	Washer - lock, #4 int.
10	702827	Screw - PPH, 4-40 x .188
11	363358	Tray - negative cleaner
12	703133	Coupling Set - barbed (included with item #8)
13	702317	Tube - .125 O.D. x .031 wall thickness
14	363351	Block - negative cleaner, left
15	363357	Retainer - tube
16	700100	Setscrew - 4-40 x 1/4
17	363421	Bracket - flow control valve
18	703132	Fitting - elbow, barbed, 10-32
19	700863	Flow Control - air
20	701161	Nut - hex, 6-32
21	701271	Washer - lock, #6 ext.
22	701415	Screw - PPH, 6-32 x 7/8
23	701515	Fitting - "X", barbed, 10-32, with washer
24	702304	Fitting - nipple, 10-32 hex
25	700600	Washer - lock, #6 int.
26	702020	Washer - flat, #4

Lucht, Inc. • 11201 Hampshire Ave. S., Bloomington, MN 55438-2454 • (612) 829-5444 • Fax (612) 829-7544

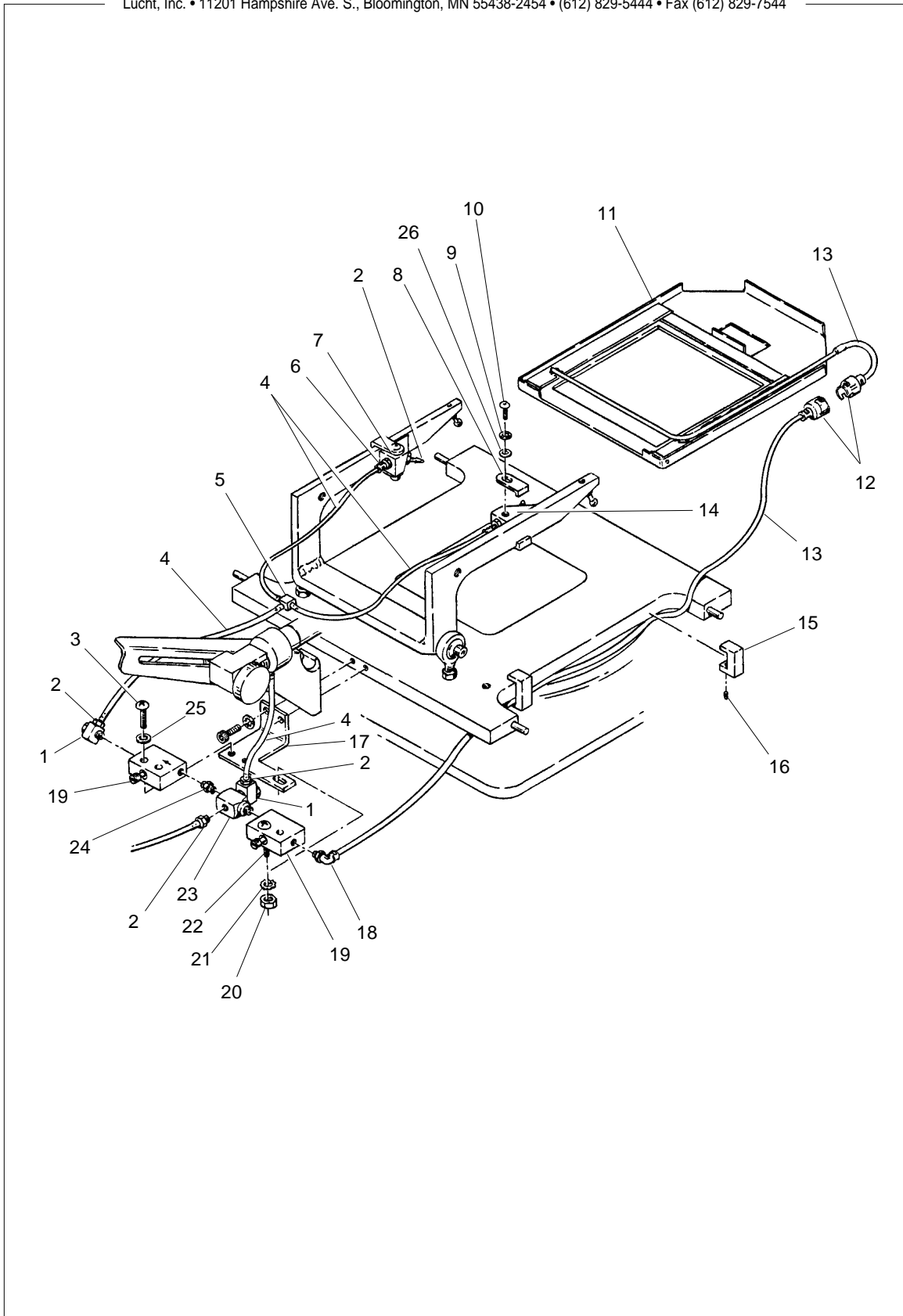


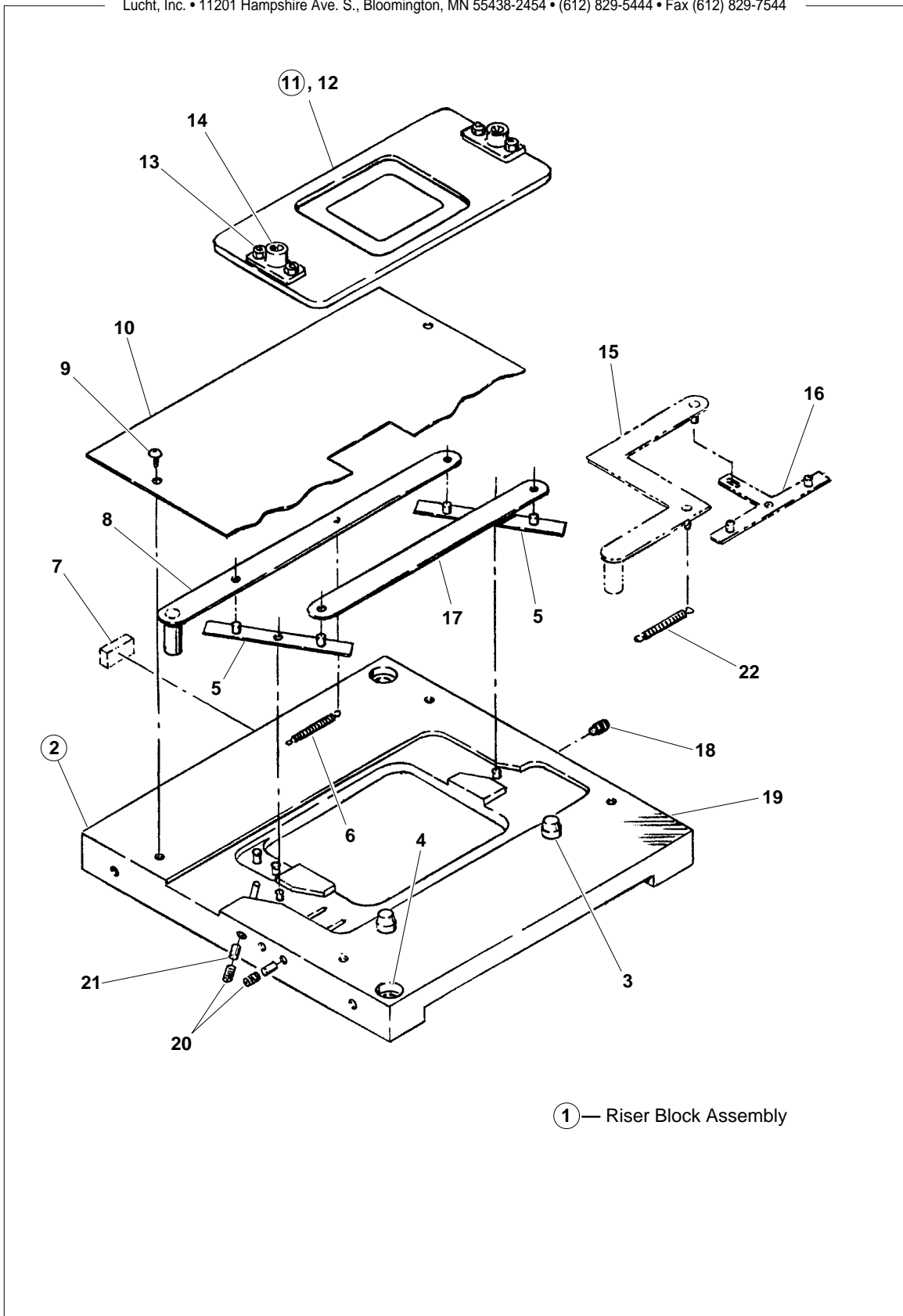
Figure 23 — Basic Negative Cleaner

Riser Block Assembly

<i>Item #</i>	<i>Part #</i>	<i>Description</i>
1	*	Riser Block Ass'y - Negative
2	*	Base Block - Riser
3	250570	Pin - Negative Mask, Long, Split 70mm only
3	250190	Pin - Negative Mask
4	700679	Bushing - Bronze
5	361434	Pivot Arm Ass'y - 46mm, Split 70mm Bordered and Borderless
5	361437	Pivot Arm Ass'y - Ideal
5	361438	Pivot Arm Ass'y - 70mm
6	702184	Spring - Extension
7	700433	Magnet - Ceramic, Split 70mm only
8	290260	Blade - Cropping Actuator
8	290261	Blade - Cropping Actuator, Split 70mm only
9	700331	Screw - BHC, 6-32 x .25
10	*	Plate - Aperture
11	*	Hold-down Plate Ass'y - Negative
12	*	Plate - Negative Hold-down
13	701726	Nut - Nylock 4-40
14	701701	Catch - Nylon
15	100219	Trip Arm/Pin Ass'y - Split 70mm only
16	250408	Pivot Arm Ass'y - Split 70mm Tee
17	110262	Blade - Cropping
18	700262	Plunger - Ball, 10-32 x .516
19	700880	Tape - Transfer, 1" wide Roll
20	700974	Setscrew - 8-32 x .25
21	701195	Pin - Dowel, .12 dia. x .5
22	701635	Spring - Extension, Split 70mm only

* Contact Lucht Engineering for assistance when ordering this item.

Lucht, Inc. • 11201 Hampshire Ave. S., Bloomington, MN 55438-2454 • (612) 829-5444 • Fax (612) 829-7544



① — Riser Block Assembly

Figure 24 — Riser Block Assembly

Paper Rollers

Item #	Part #	Description
1	250623	Splice Detector Ass'y - Paper
2	110539	Clamp - Board
3	100237	Arm - Adjustment
4	250588	PCB Ass'y - PSD
5	250619	Mount - PCB, PSD
6	290274	Thumbscrew Ass'y
7	701077	Connector - Card Edge
8	703303	Spring - Extension
9	363829	Arm - Lever
10	110241	Holder Ass'y - Bearing
11	110376	Arm Ass'y - Buffer
12	110228	Buffer - Arm
13	270143	Roller Assembly
14	280264	Shaft - Pivot
15	280265	Shaft - Buffer Roll
16	700570	Screw - KCPS, 1/4" -28 x .3125
17	700707	Ring - Retaining, Ext.
18	280270	Stop - Arm
19	704387	Bumper - Grommet
20	367570	Flange - Roller
21	150189	Paper Guide Flange - Roller, Split
22	369471	Pulley Assembly - Timing
23	706753	Clutch - Slipper, Open Plate, Adjustable
24	705303	Ring - Retaining, Ext., .187 Dia. Shaft
25	701192	Pin - Spring, .25 x 1.50
26	280509	Shim - .657 I.D., 1.14 O.D. x .0239 Thk.
27	280345	Standoff - Bearing Hub
28	363931	Mount - Bearing, QCS2
29	700802	Bearing - Ball, Radial, .625 I.D., 1.375 O.D. x .343 W
30	369474	Shaft - Take-up
31	365638	Mount - Shock
32	707007	Shock Absorber - Self
33	371517	Collar - Stop, Shock
34	701539	Screw - Cap, Sk, 6-32 x 1.25
35	700082	Screw - BHC, 1/4" -20 x .75
36	270145	Flange- Roller, Core Gripper
37	700350	Setscrew, 1/4" -20 x .375
38	702990	Setscrew, Nylon Insert, 8-32 x .25
39	363301	Knob - Core Gripper
40	363302	Adaptor - Threaded, Core Gripper
41	363304	Tube Ass'y - Expansion, Core Gripper
42	363300	Support - Tapered, Core Gripper
43	363826	Motor - Stepper
44	363813	Bracket - Stepper Drive Motor
45	703192	Belt - Timing Drive
46	364534	Pulley - 12-Tooth
47	363812	Shaft - Drive Roller

(continued)

Lucht, Inc. • 11201 Hampshire Ave. S., Bloomington, MN 55438-2454 • (612) 829-5444 • Fax (612) 829-7544

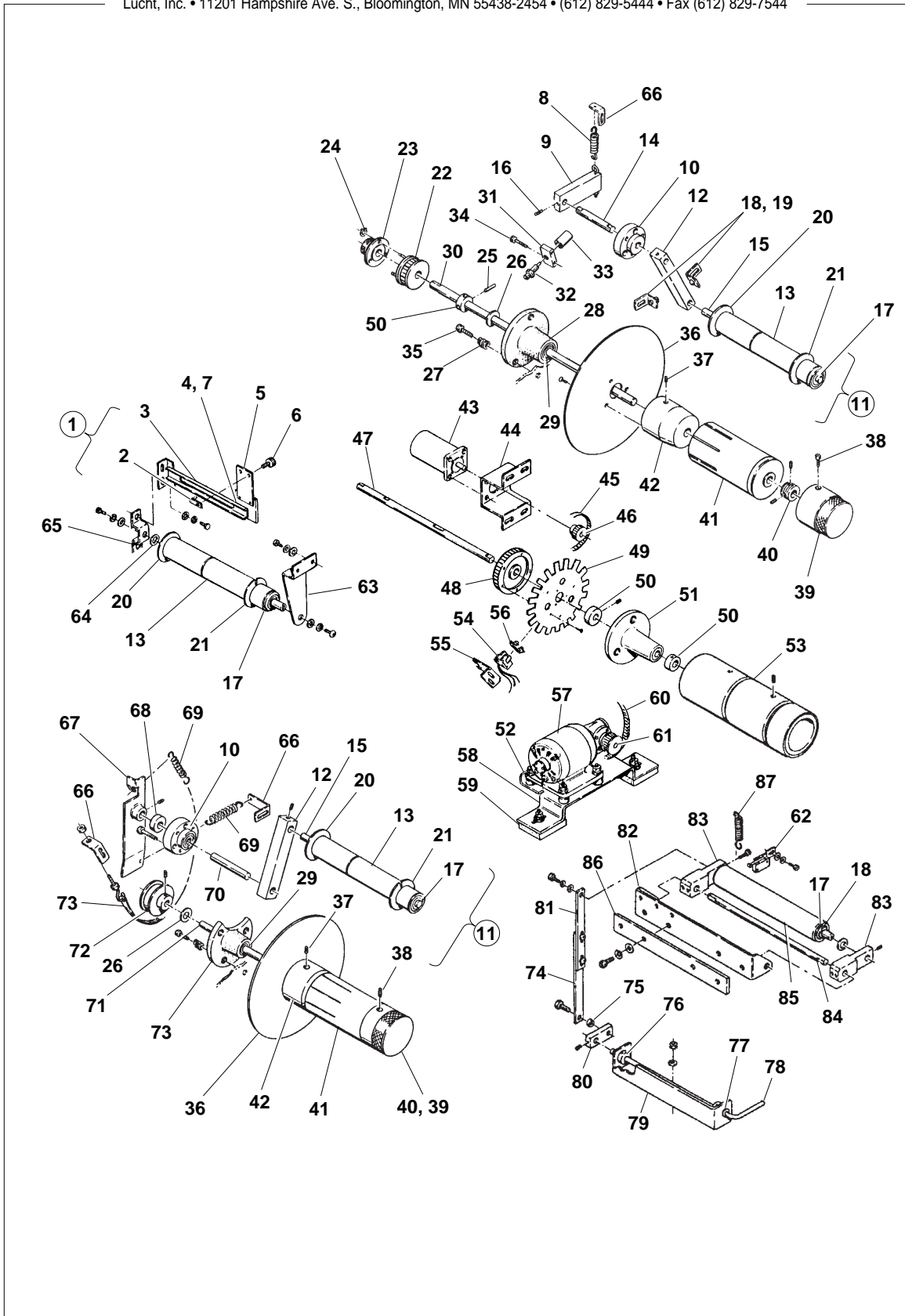


Figure 25 — Paper Rollers (Without Canisters)

Paper Rollers (cont'd)

<i>Item #</i>	<i>Part #</i>	<i>Description</i>
48	363814	Pulley - 72-Tooth
49	310102	Vane - Counter Disk
50	700037	Collar - .625 I.D.
51	110349	Bearing Mount - Drive Shaft
52	703191	Mount - Vibration
53	371230	Drive Roller Assembly - Long
54	700481	Switch - Vane
55	363828	Bracket - Vane Switch
56	120205	Retainer Plate - Vane Switch
57	372861	Motor Ass'y - Take-up
58	363815	Bracket - Take-up
59	363824	Pad - Take-up Motor
60	702654	Belt - Timing
61	700719	Pulley - 20-Tooth
62	700759	Switch - Snap Action
63	110237	Bracket - Idler Shaft
64	701782	Spacer - .257 I.D. x .562 O.D. x .05
65	110238	Bracket - Idler Mount
66	363818	Bracket - Spring
67	363822	Arm - Brake
68	363816	Spacer - .750 O.D. x .058 Wall
69	703303	Spring - Extension
70	363817	Shaft - Supply Bail
71	280269	Shaft - Supply
72	250153	Pulley - Brake
73	110244	Belt - Brake Ass'y
74	210112	Link - Adjusting, Lower
75	280302	Spacer - Pressure Roller Bolt
76	700298	Collar - .375 I.D.
77	700803	Bearing - Snap-in, .375 I.D.
78	170125	Handle - Pressure Roll
79	110236	Bracket - Pressure Release
80	120182	Arm - Crank
81	210113	Link - Adjusting
82	367771	Bracket - Pressure Roller
83	364328	Arm Ass'y - Pressure Roller
84	280272	Shaft - Pressure Roller
85	360988	Roller Ass'y - Print
86	367311	Stiffener - Pressure Roller
87	701672	Spring - Extension, 2-1/4" long

Paper Protector Assembly

Item #	Part #	Description
1	100190	Paper Guide Ass'y - Adjustable
2	100189	Adjustable Paper Guide - Front
3	100191	Adjustable Paper Guide - Rear
4	250286	Guide Bar - Paper
5	700079	Screw - BHSC, 6-32 x .375
6	700600	Washer - Lock, Int., #6
7	700605	Washer - Flat, #6, SAE
8	361278	Thumbscrew Ass'y
9	700323	Screw - PPH, 6-32 x .375
10	250325	Paper Protector Ass'y
11	100256	Air Cylinder Ass'y
12	110430	Bearing - Sleeve
13	110424	Mask Blade Ass'y - 11x14
14	700713	Bumper - Rubber, Button Type
15	110425	Mask Blade - 8x10
16	110423	Mask Blade - Right, 11x14, Standard
17	360480	Mask Blade - Right, 11x14 w/PPM
18	360479	Flap - Hinged
19	702136	Spring - Extension
20	701227	Screw - PPH, 6-32 x .25
21	701757	Bumper - Rubber, Recess Screw Type
22	700829	Clevis - Rod, w/Pin, Retainer, Locknut
23	700830	Fitting - Barbed, 1/8 O.D. Hose
24	361356	Tubing - Air, .156 O.D.
25	702088	Fitting - Tee, 10-32 UNF to .078 I.D.
26	250446	Enclosure W/F - Paper
27	250447	Enclosure W/F - Paper, Back
28	700389	Arm - Blade, 11 x 14
29	731549	Guide - Paper, Lower
30	280371	Standoff - Paper Mask
31	700700	Screw - SHC, 6-32 x .38
32	701232	Nut - Hex, Jam, 1/4" -28
33	700710	Nut - Hex, 1/4" -28
34	320193	Washer - Chordal
35	700716	Mount - Adhesive Backed
36	700517	Tie - Cable, 4-inch
37	220371	Mask - Std., 11x14 Borderless
37	220372	Mask - Std., 11x14 Bordered
37	220373	Mask - Std., 8x10 Borderless
37	220374	Mask - Std., 8x10 Bordered
37	373104	Mask - SSPM, 11x14 Borderless
37	361242	Mask - SSPM, 11x14 Bordered
37	373305	Mask - SSPM, 10x13 Borderless
37	361244	Mask - SSPM, 10x13 Bordered
37	360350	Mask - PPM, 11x14 Borderless
38	361247	Mask Support Ass'y - SSPM (Std.)
38	360323	Mask Support Ass'y - PPM

(continued)

Lucht, Inc. • 11201 Hampshire Ave. S., Bloomington, MN 55438-2454 • (612) 829-5444 • Fax (612) 829-7544

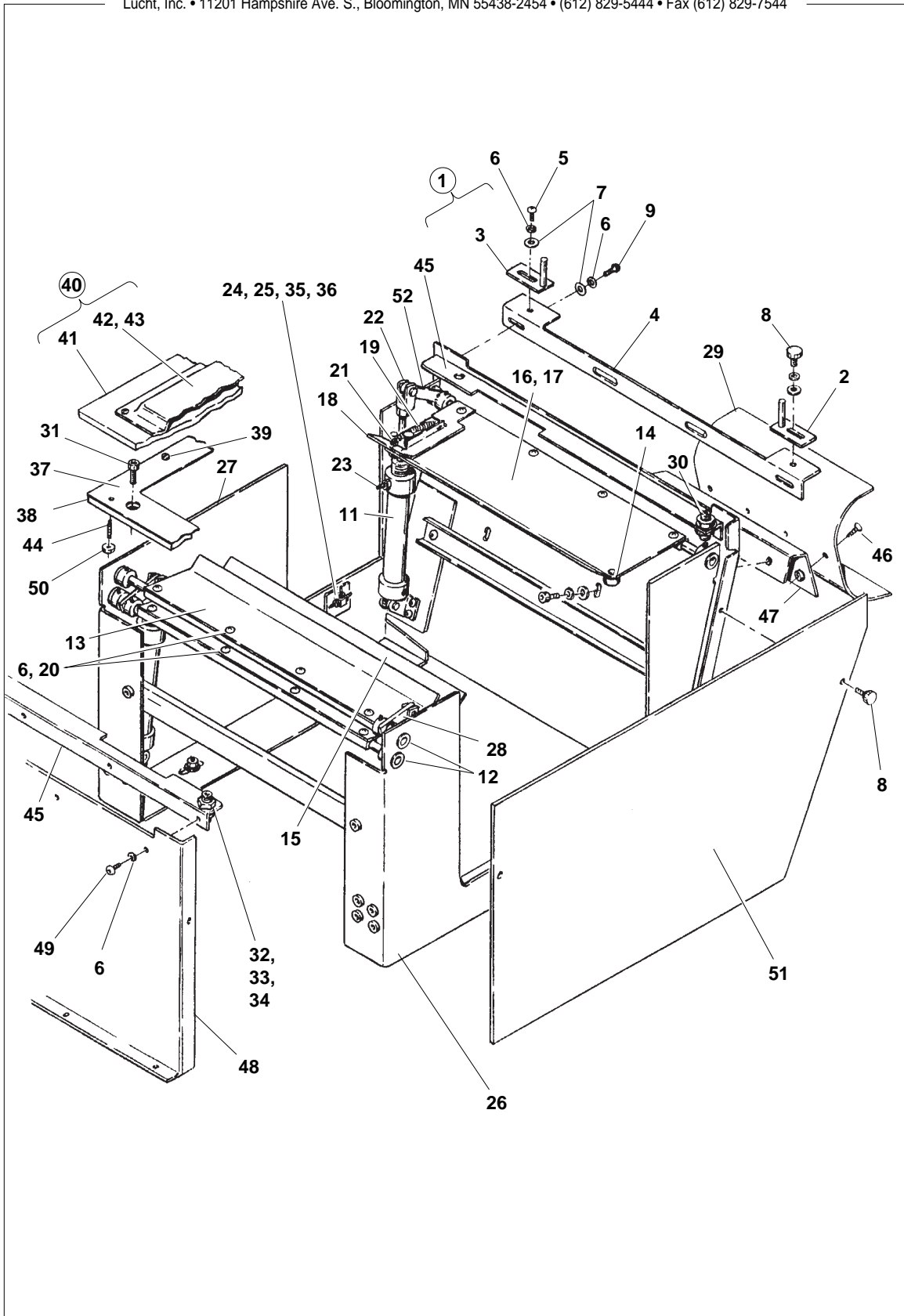


Figure 26 — Paper Protector Assembly

Paper Protector Assembly (cont'd)

<i>Item #</i>	<i>Part #</i>	<i>Description</i>
39	701199	Screw - SPHS, 2-56 x .25
40	373024	Vacuum Platen Ass'y
41	372872	Vacuum Platen
42	360356	Plenum Ass'y
43	170129	Hose - Vacuum
44	700696	Setscrew - Nylon
45	364145	Bracket W/F -Support
46	702526	Screw - 4-40 x .5 UCP FH
47	371548	Mount - Paper Guide, Lower
48	290176	Side W/F - Tower, Left
49	700331	Screw - Cap, SKBHC, 6-32 x .25
50	706536	Nut - Kep, 8-32
51	369882	Cover Ass'y - Access
52	100196	Arm - Blade, 8 x 10

Back Panel Components

<i>Item #</i>	<i>Part #</i>	<i>Description</i>
1	250324	Pad - Motor Mount, Blower
2	360001	Motor Ass'y - Blower
3	100051	Plate Ass'y - Adapter
4	220231	Mount - Motor, Blower
5	700269	Blower - 140 cfm
6	701174	Lable - Danger, High Voltage
7	704993	Grommet - Rubber, 2.1" Round
8	363830	Module - Paper Advance (Excellerator Only)
9	372566	Filter - Regulator, Integral
10	700206	Filter - Regulator, Integral
11	701008	Gauge - Pressure, 0-60 PSI, 1.5 Dia.
12	700616	Fitting - Tee, Male, .25 O.D. x 1/4" NPT
13	700703	Fitting - Elbow, Male, .25 O.D. x 1/4" NPT
14	700505	Bracket - Mounting, Filter & Gauge
15	702151	Valve - Solenoid, 24 VDC
16	702508	Screw - Special, Metering, 10-32
17	700885	Fitting - Tube, 10-32 x .25 O.D. Barbed
18	700830	Fitting - Pipe, 10-32 x .078 I.D., Plastic, Barbed
19	704994	Grommet - Rubber, 1.0" Round
20	700404	Grommet - Rubber, .37" Round
21	369044	Wire Harness - VP-2, Universal, Exc.
22	120296	Valve Ass'y - Control
23	700863	Valve - Air, Control, 10-32 Ports
24	700885	Fitting - Tube, 10-32 x .25 O.D., Barbed
25	702504	Valve - Solenoid, 24 VDC, 3 Way, 5 Watt
26	702505	Module - Manifold
27	702167	Fitting - Tube, 1/8" NPT x .25 O.D., Barbed
28	368783	Valve Ass'y - Air Flow Control
29	364531	Power Distribution Chassis Ass'y
30	700207	Relay - Power, DPDT
31	700643	Receptacle - 2-Pole
32	702678	Cord - Power, 20 Amp
33	702684	Bushing - Strain Relief
34	702656	Circuit Breaker - 15 Amp, 120 VAC
35	700310	Coupler - Air, Male Plug, 1/4" NPT
36	700399	Fitting - Tube, Female, 1/4" x 1/4" NPT
37	372876	Valve Ass'y - 7 Station
38	371871	PCB Ass'y - Interconnect, Lens Drive
39	368946	Bracket - Mounting, Interconnect
—	361769	Pressure Regulator Ass'y - Hold-down (not shown)

Lucht, Inc. • 11201 Hampshire Ave. S., Bloomington, MN 55438-2454 • (612) 829-5444 • Fax (612) 829-7544

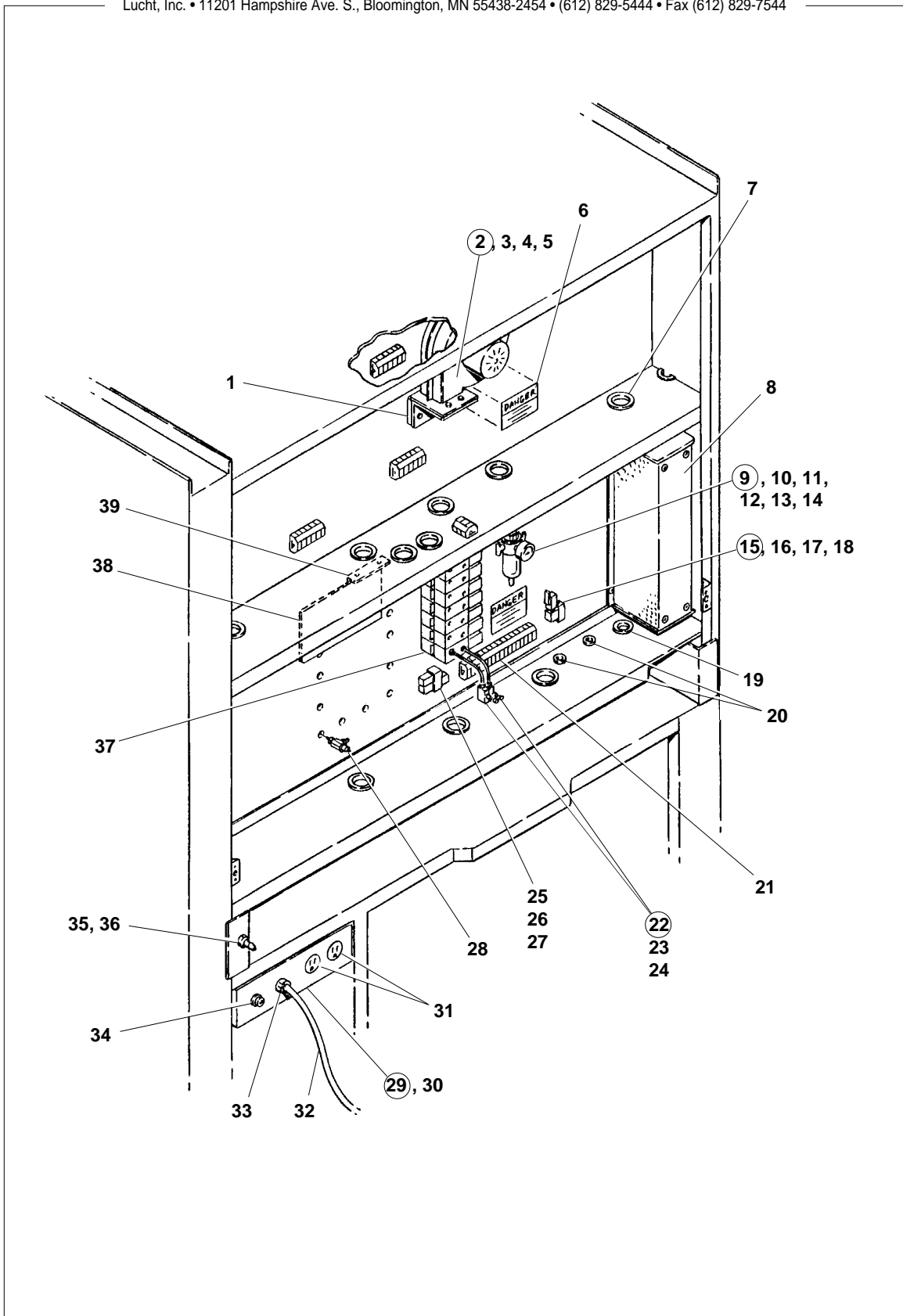


Figure 27 — Back Panel Components

Lens Drawer Receptor Area

<i>Item #</i>	<i>Part #</i>	<i>Description</i>
1	210233	Air Cylinder Ass'y, Lens Drawer, Lower (1)
2	700698	Screw - SHC, 1/4" -20 x 1"
3	280303	Sleeve - Over Travel
4	280299	Spring - Compression, .040 x .610 O.D.
5	100226	Adapter - Threaded
6	702521	Nut - Hex, Jam 5/8" -18
7	700150	Fitting - Tube, Male Elbow, .25 O.D.
8	361340	Air Cylinder - .75 x 7"
9	210237	Air Cylinder Ass'y, Lens Drawer, Upper (5)
2	700698	Screw - SHC, 1/4" -20 x 1"
3	280303	Sleeve - Over Travel
4	280299	Spring - Compression, .040 x .610 O.D.
5	100226	Adapter - Threaded
6	702521	Nut - Hex, Jam 5/8" -18
7	700150	Fitting - Tube, Male Elbow, .25 O.D.
8	361340	Air Cylinder - .75 x 7"
10	700409	Ball - Nylon, .25 dia.
11	220384	Mount - Air Cylinder
12	210117	Lens Carrier Cover - Right
13	210118	Lens Carrier Cover - Left
14	361636	Brace - Lens Carrier, Left or Right
15	320110	Washer - Special
16	250197	Pin - Alignment, Lower
16	374556	Pin - Alignment, Upper
17	701341	Keeper - Modulatch
18	702016	Spring - Compression, .480" long
19	210149	Mounting Bracket - LHE PCB
20	250222	PCB Assembly - LHE
21	700804	Bearing - Lens Drawer
22	371165	Washer - Flat, .34 I.D., .56 O.D., .03 Thk.
23	700370	Screw - SHL, SK, .31 D x .75 L, 1/4-20 x .38

Lucht, Inc. • 11201 Hampshire Ave. S., Bloomington, MN 55438-2454 • (612) 829-5444 • Fax (612) 829-7544

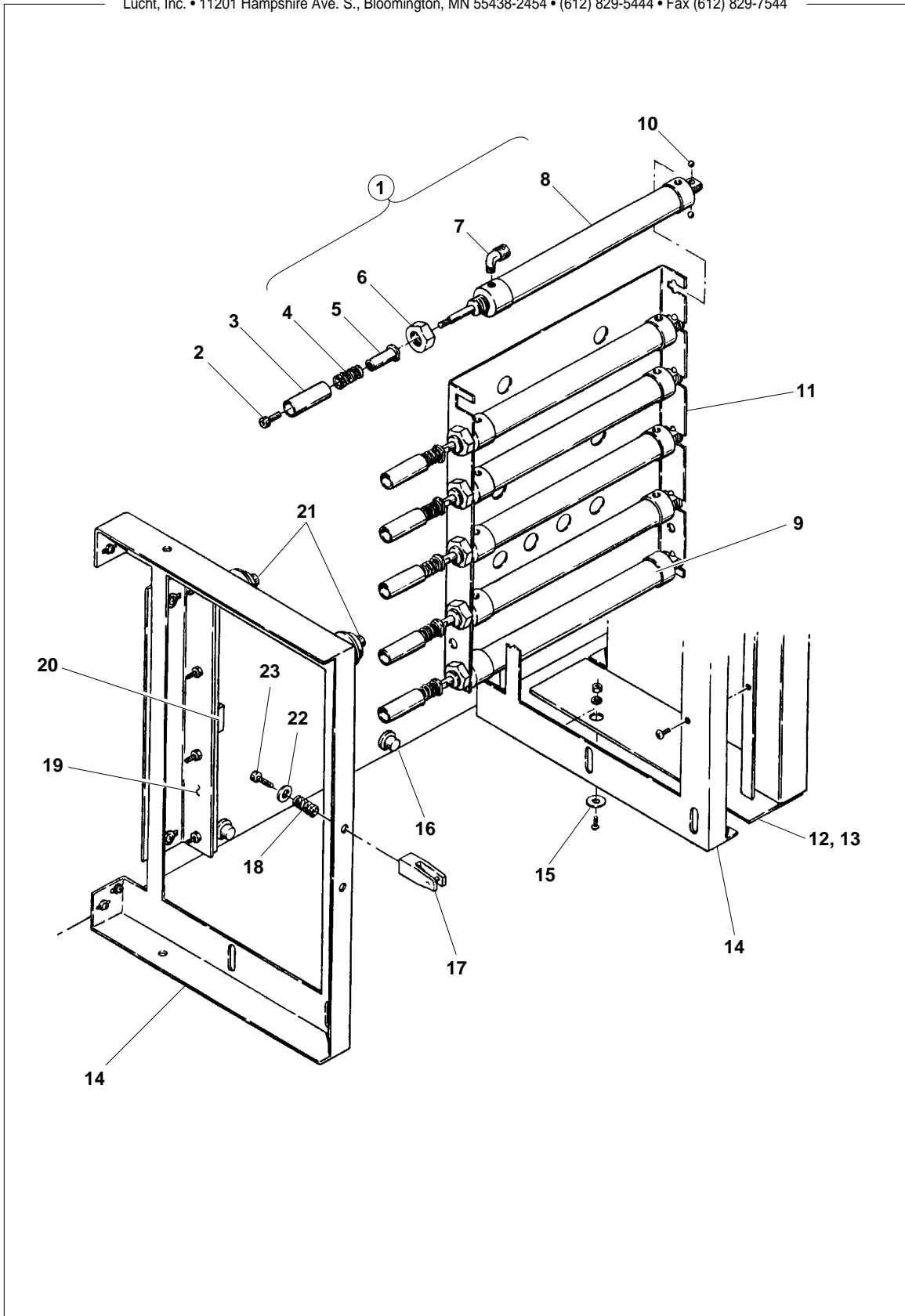


Figure 28 — Lens Drawer Receptor Area

Lens Drawer Assembly

<i>Item #</i>	<i>Part #</i>	<i>Description</i>
1	*	Lens Drawer Assembly
2	361533	Top - Lens Drawer
3	700196	Pin - Spring
4	100165	Angle - Upper Alignment
5	*	Lens Focal Board Assembly
6	*	Lens Focal Board
7	*	Lens Assembly
8	*	Lens Board Assembly
9	*	Lens Board
10	700803	Bushing
11	150171	Foot - Lens Slide
12	700433	Magnet - Oriented, Ceramic
13	110274	Bracket - Lens Magnet
14	110596	Bracket - Actuator, 2-3/4" Special
14	210124	Bracket - Actuator, 2-1/4"
14	210171	Bracket - Actuator, 3-3/4"
14	210173	Bracket - Actuator, 5-1/2"
14	210165	Bracket - Actuator, 2-1/4" Down
14	210166	Bracket - Actuator, 1"
14	210180	Bracket - Actuator, 3-1/2"
14	210181	Bracket - Actuator, 3"
14	361633	Bracket - Actuator, 2-1/4" Offset
15	280301	Spring - Extension
16	110275	Bracket - Spring
17	270150	Rod - Lens Deck
18	701359	Molded Rubber Tip
19	160144	Guide - Lens Slide
20	280302	Spacer - .144" Long
20	700469	Spacer - .500" Long
20	700799	Spacer - .750" Long
21	600015	Retainer Plate - Lens
22	700391	Ring - Retaining, Ext.
23	100164	Angle - Lower Alignment
24	700163	Bumper - Rubber
27	110510	Bottom Plate - 4" x 10-1/2" Opening
27	110389	Bottom Plate - 3-1/2" x 3.8" Opening
27	110576	Bottom Plate - 3" x 12.12" Opening
28	600030	Cover - Bottom, Full
28	360591	Cover - Bottom, 2.5" x 2.06" Opening
28	365743	Cover - Bottom, Flat
29	120196	Cover - Lens Cabinet Front
30	371863	Shield - Light
31	270149	Rod - Adjustment
32	170160	Handle - Modulatch
33	100162	Angle - Lens Carrier, Left
34	100163	Angle - Lens Carrier, Right
35	704322	Washer - Wave

* *Contact Lucht Engineering for assistance when ordering this part.*

Lucht, Inc. • 11201 Hampshire Ave. S., Bloomington, MN 55438-2454 • (612) 829-5444 • Fax (612) 829-7544

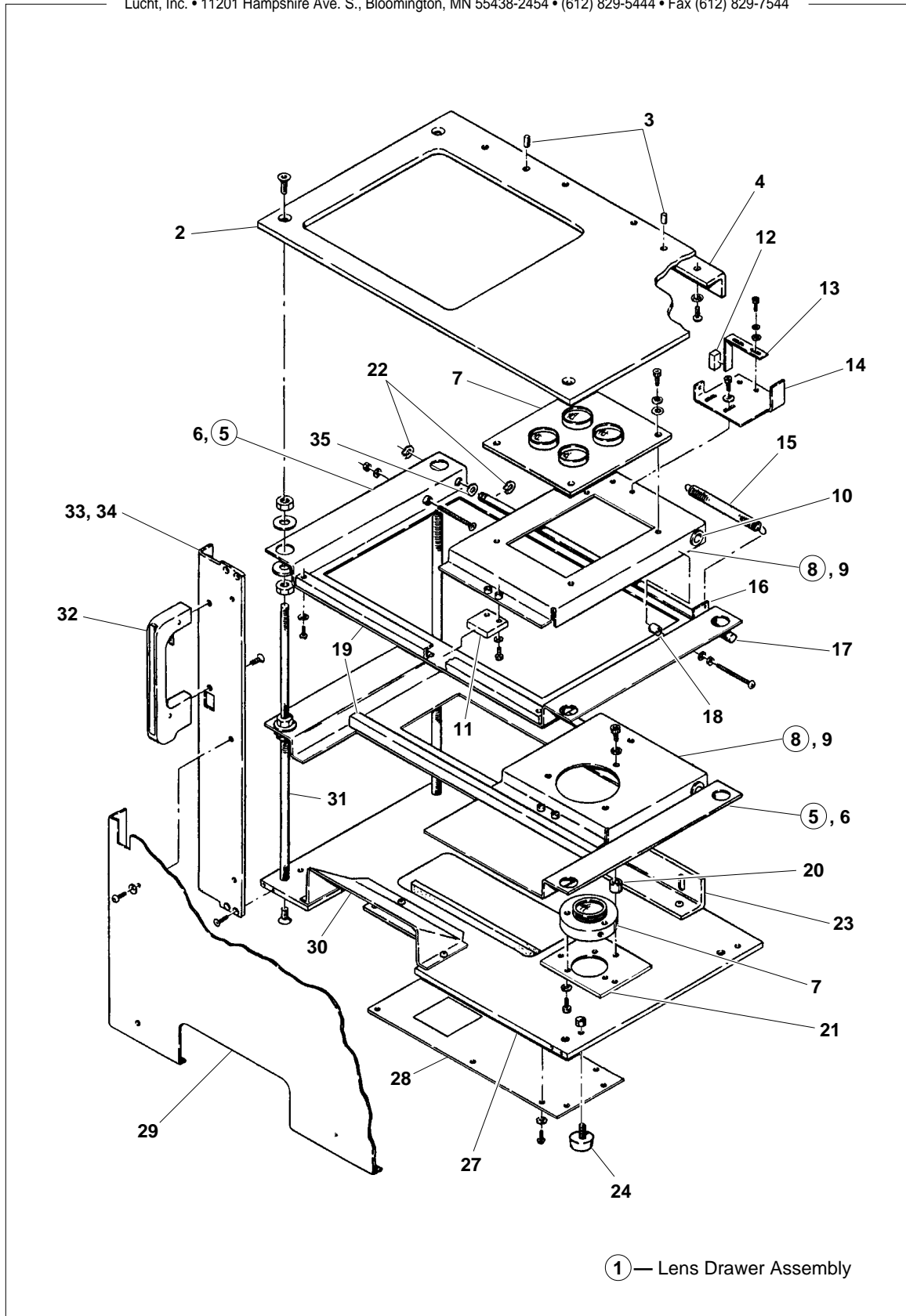


Figure 29 — Lens Drawer Assembly

Paper Rollers (With Optional Canisters)

Item #	Part #	Description
1	703316	Washer - Swivel, Male
2	703317	Washer - Swivel, Female
3	364156	Pin - Canister Locator
4	365548	Stiffener W/F - Mounting, Canister
5	364335	Bracket - Canister Support
6	703303	Spring - Extension
7	363829	Arm - Lever
8	364120	Holder Assembly - Buffer Arm
9	365546	Bracket W/F - Mounting, Canister, Upper
10	364246	Buffer Arm - Take-Up
11	702422	Bumper - 1" Dia. x .56 Thick
12	280265	Shaft - Buffer Roller
13	150223	Paper Guide Flange - Roller
14	270143	Roller Assembly
15	150189	Paper Guide Flange - Roller, Split
16	367284	Spacer - Buffer Arm Pivot, Take-Up
17	704875	Ring - Retaining, Int., 1.375 Dia. Shaft
18	704868	Bearing - Ball, Radial, .669 I.D. x 1.378 O.D. x .393 W
19	367289	Spacer - Bearing, Buffer Arm Pivot
20	705303	Ring - Retaining, Ext., .187 Dia. Shaft
21	706753	Clutch - Slipper, Open Plate, Adjustable
22	369471	Pulley Ass'y - Timing
23	369474	Shaft - Take-Up
24	700037	Collar, .625 I.D.
25	701192	Pin - Spring, .250 x 1.00
26	365547	Stiffener W/F - Mounting, Canister, Lower
27	280509	Shim - .657 ID x 1.14 O.D.
28	363931	Mount Assembly - Bearing
29	280345	Standoff - Bearing Hub
30	700082	Screw - BHC, 1/4-20 x .75 Long
31	364106	Retainer - Core Gripper
32	367346	Tube - Expansion
33	367347	Support - Tapered
34	354111	Washer - Thrust
35	365245	Handle - Nut
36	363826	Motor - Stepper
37	363813	Bracket - Stepper Drive Motor
38	364534	Pulley - 12 Tooth
39	703192	Belt - Timing Drive
40	363812	Shaft - Drive Roller
41	363814	Pulley - 72 Tooth
42	310102	Vane - Counter Disk
43	700037	Collar - .625 I.D.
44	110349	Bearing Mount - Drive Shaft
45	130162	Drive Roller - 3.86 Dia.
46	700481	Switch - Vane
47	363828	Bracket - Vane Switch
48	120205	Retainer Plate - Vane Switch
49	250623	Detector Assembly - Paper Splice

(continued)

Lucht, Inc. • 11201 Hampshire Ave. S., Bloomington, MN 55438-2454 • (612) 829-5444 • Fax (612) 829-7544

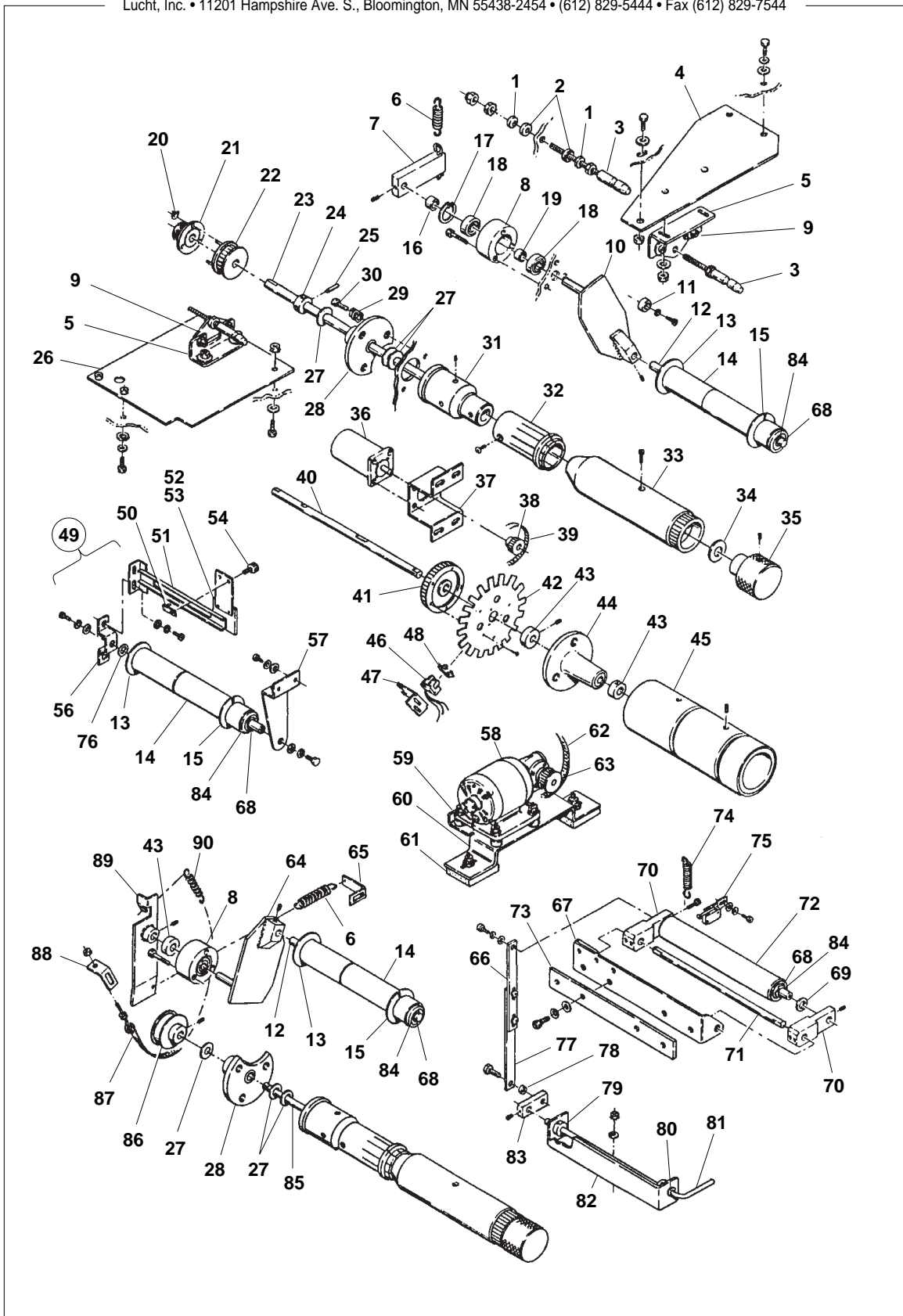


Figure 30 — Paper Rollers (With Optional Canisters)

Paper Rollers (With Optional Canisters — cont'd)

<i>Item #</i>	<i>Part #</i>	<i>Description</i>
50	110539	Board Clamp - Splice Detector
51	100237	Adjustment Arm - Splice Detector
52	250588	PSD PCB Ass'y
53	250619	PCB Mount, PSD
54	290274	Thumbscrew Assembly
55	701077	Connector - Card Edge
56	110238	Bracket - Idler Mounting
57	110237	Bracket - Idler Shaft
58	363827	Motor Assembly - Take-Up
59	703191	Mount - Vibration
60	363815	Bracket - Take-Up
61	363824	Pad - Take-Up Motor
62	702654	Belt - Timing
63	700719	Pulley - 20 Tooth
64	364247	Arm - Buffer Roller
65	363623	Bracket - Spring
66	210113	Link - Adjusting
67	250487	Bracket - Pressure Roller
68	700707	Ring - Retaining, External
69	701228	Shim - .50 I.D. x .75 O.D. x .04 Thk.
70	364330	Arm Assembly - Pressure Roller
71	280272	Shaft - Pressure Roller
72	360988	Roller Assembly - Print
73	280271	Stiffener - Pressure Roller
74	701672	Spring - Extension, 2.25 Long
75	700759	Switch - Snap Action
76	701782	Spacer - .257 I.D. x .562 O.D. x .05 Thk.
77	210112	Link - Adjusting, Lower
78	280302	Spacer - Pressure Roller Bolt
79	700298	Collar - .375 I.D.
80	700803	Bearing - Snap-In, .375 I.D.
81	170125	Handle - Pressure Roll
82	110236	Bracket - Pressure Release
83	120182	Arm - Crank
84	280645	Shim - .50 I.D. x .75 O.D. x .005 Thk.
84	280646	Shim - .50 I.D. x .75 O.D. x .010 Thk.
84	280647	Shim - .50 I.D. x .75 O.D. x .025 Thk.
84	280648	Shim - .50 I.D. x .75 O.D. x .047 Thk.
85	364114	Shaft - Supply Roller
86	250153	Pulley - Brake
87	110244	Belt - Brake Assembly
88	363819	Bracket - Spring
89	363822	Arm - Brake
90	703303	Spring - Extension

Lucht Paper Canister (Optional)

<i>Item #</i>	<i>Part #</i>	<i>Description</i>	<i>Item #</i>	<i>Part #</i>	<i>Description</i>
-	367350	Paper Canister Assembly	25	365933	Retainer - Clamp
2	367298	Flange Assembly - Paper Holding	26	365932	Clamp - Locator, Left
3	367297	Flange W/F - Disc, Paper Holding	27	365503	Cover Ass'y - Canister
4	367296	Clamp W/F - Retainer	28	365148	Cover - Canister
5	367295	Stop - Clamp Locator	29	702110	Bearing - .25 I.D. x .62 O.D. x .196 W.
6	367292	Clamp - Locator, Left	30	362857	Screw - Shoulder, Slotted
7	704403	Spring - Comp., .032 WD, .240 O.D.	31	365145	Spool - Bearing
8	367293	Clamp - Locator, Right	32	701491	Bearing - Ball, Flanged, .25 I.D.
9	367294	Guide - Disc, Flange	33	365234	End Plate - Right
10	704850	Spring - Comp., .032 WD, .300 O.D.	34	365505	Roller Assembly
11	367349	Core Assembly - Canister	35	365508	Access Cover Assembly
12	367344	Core - Canister	36	365233	Cover - Access
13	367345	Liner - Core	37	365415	Pad - Protective, Cover
14	365504	Latch - Cover, Canister	38	365254	Bar - Rear, Canister
15	369817	Bar - Retainer	39	700401	Tape - Foam, .25 x .50
16	365253	Bar - Front	40	365248	Block - Locator, Canister
17	365507	Stop - Light, Canister	41	704251	Spring - Compression, .24 O.D. x .375 L.
18	704858	Fastener - Velcro™, 1/2" Wide	42	365249	Retainer - Spring
19	702962	Tape - Transfer, 1" x .002 Thk.	43	700409	Ball - Nylon, .25 dia.
20	365079	Housing - Canister	44	365235	End Plate - Left
21	365920	Disk - Flange Assembly	45	365232	Latch - Access Cover
22	365918	Disk - Flange	46	704258	Spring - Compression, .180 O.D. x .25 L.
23	365942	Clamp - Locator, Right	47	702153	Screw - Shoulder, .12 x .18, 4-40
24	704403	Spring - Compression	48	365919	Block - Locator
			49	368661	Gasket - Canister

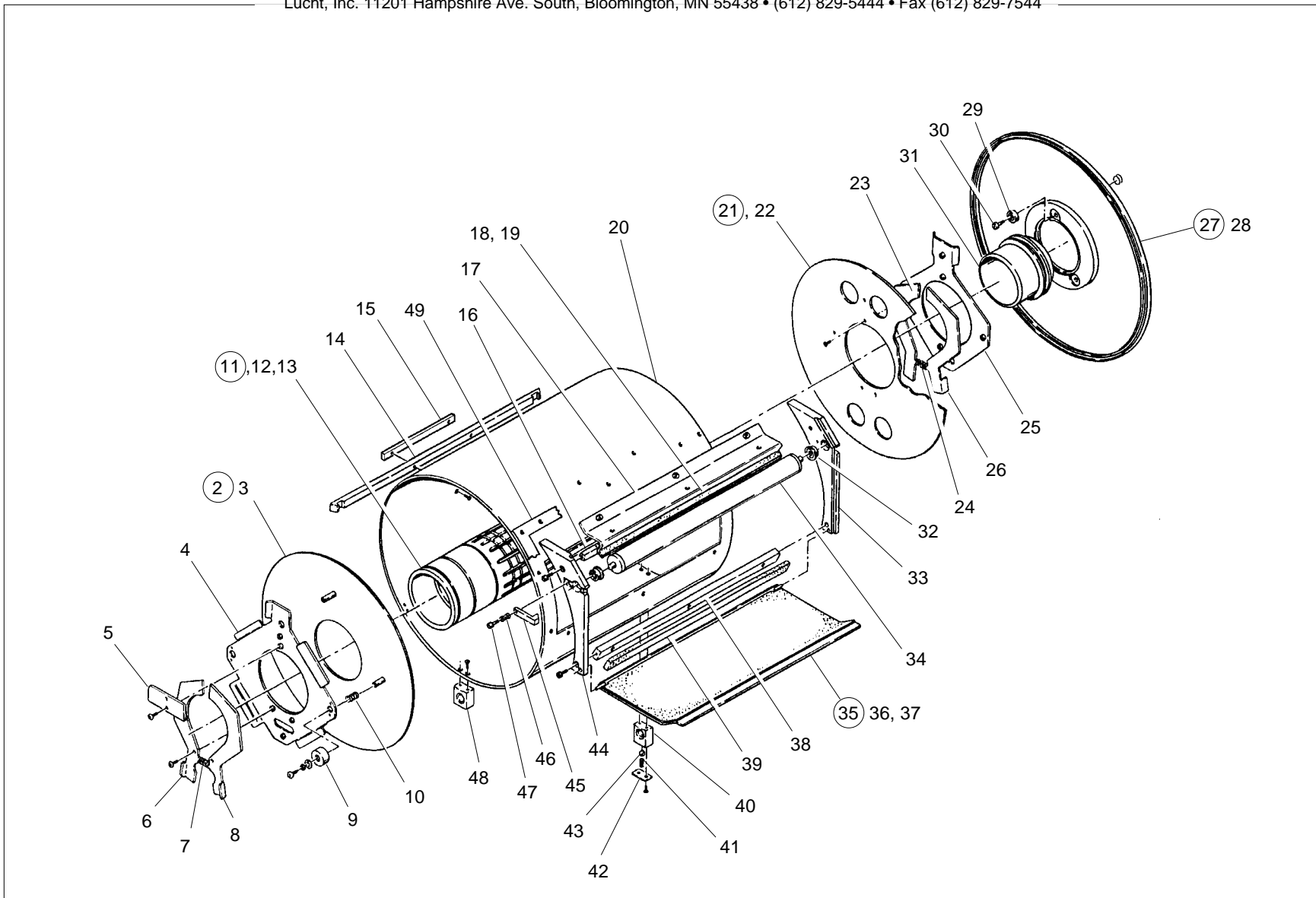


Figure 31 — Lucht Paper Canister (Optional)