

Figure 15 — VP-2 Machine Schematic 1 of 4





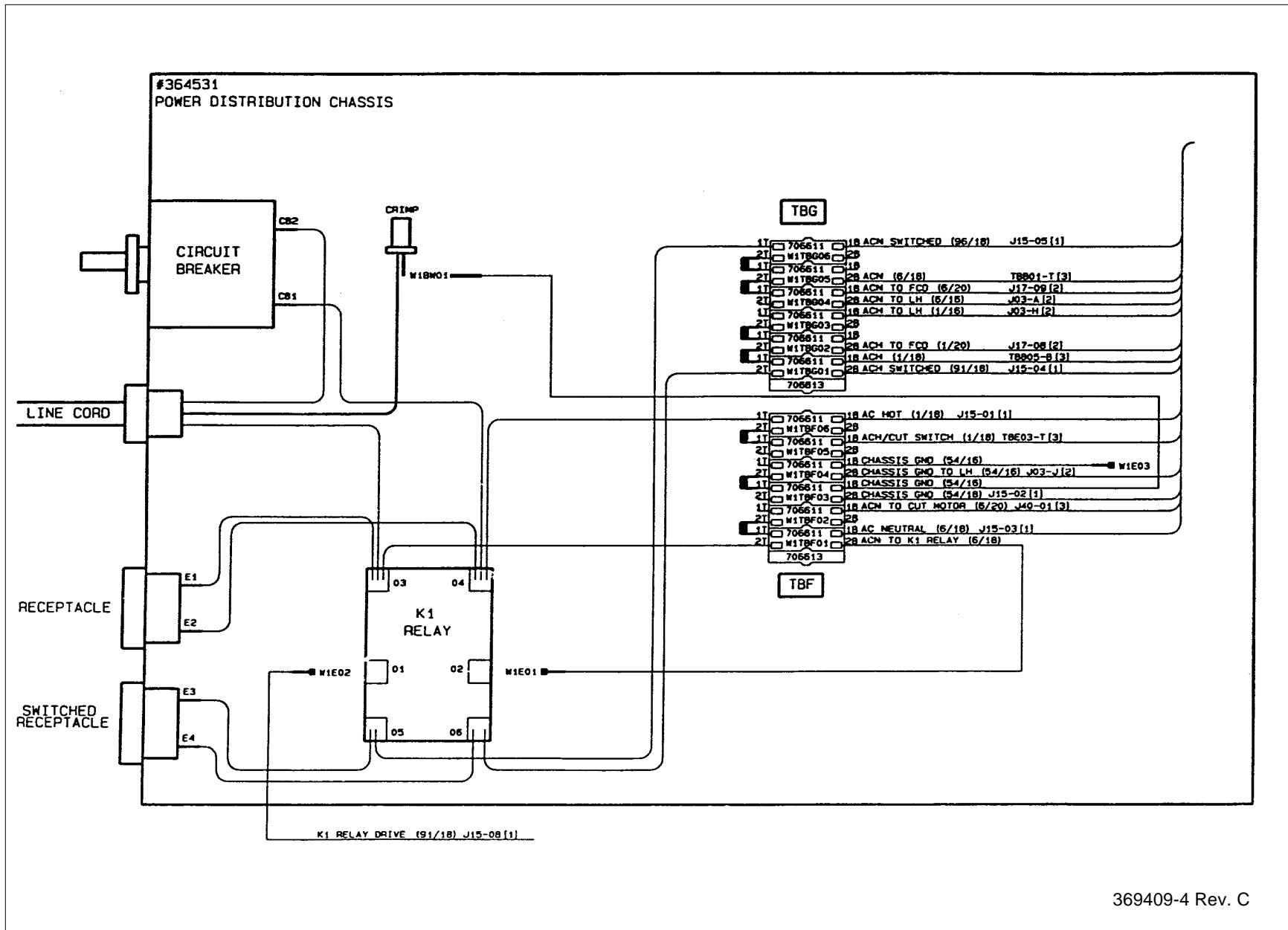


Figure 18 — VP-2 Machine Schematic 4 of 4

369409-4 Rev. C