

Section 9 — Parts

Item numbers contained in a circle indicate complete assemblies.

Order parts by Lucht part number, description and quantity desired — not by item number. Individual parts that are part of a larger assembly are indented and listed under the assembly description. If the assembly number is ordered, all parts indented under that number will be included in the order.

Main Frame and Covers	74
Shutter Drawer Assembly	78
Rotary Table Assembly	80
Basic Negative Cleaner	82
Cropping Plate Assembly	84
Lens Baffle Assembly	86
Lens Deck Assembly	88
Receptor Box Assembly	90
Paper Rollers	92
Back Panel Components	96
Carousel and Post Assembly	98
Viewer Assembly	102
Paper Rollers (With Optional Canisters)	104
Paper Cutter Assembly (With Optional Canisters)	108
Stepper Paper Mask	110
Lucht Paper Canister	112

Main Frame and Covers

<i>Item No.</i>	<i>Part No.</i>	<i>Description</i>
1	130207	Glide - Door
2	365512	Retainer-Support Pin
3	160188	Mount - Glide Shaft
4	210125	Latch- Platen
5	250199	Plate - Retaining
6	270155	Roller Bracket - Left
7	270156	Roller Bracket - Right
8	280475	Shaft - Glide
9	290101	Cover Assembly - Access Opening
10	701867	Fastener - 1/4-Turn Oval Head Slotted
11	700218	Retainer - Split Ring
12	361351	Tape - Foam .250 thk. x .500 wide x 5.00 ft.
13	700986	Washer - Wear
14	700204	Receptical - Leaf Spring
15	700803	Bearing - Snap-in, .375 I.D.
16	373320	Kit -Retro, Roller Assy, Left & Right
17	700081	Screw - BHC, 8-32 x .38 Long
18	360598	Cover Assembly - Receptor Box
19	360228	Foot Switch Assembly
20	700042	Connector - Plug, 3-Pin
21	700286	Cable - Shielded, 2 Conductor
22	701165	Foot Switch - SPDT
23	*	Controller - Printer
24	130212	Drawer Slide - Controller
25	130211	Drawer Slide - Controller, Top Guide
26	360090	Cover - Back
27	700161	Handle -Back Cover
28	700146	Fastener - 1/4-Turn Wing Stud
13	700986	Washer - Wear
11	700218	Retainer - Split Ring
29	280295	Trim Strip - Shutter Drawer
30	360599	Door Assembly - Carousel
31	702048	Velcro Patch - Hook
32	702049	Velcro Patch - Loop
33	700293	Caster - Tandem Wheels
34	130168	Door Assembly - Paper Cabinet
35	361330	Door - Paper Cabinet
36	703302	Handle - Paper Cabinet w/Key
37	355479	Pin-Hinge
38	365511	Bracket Weldment-Mounting
39	320143	Trim Strip - Top Panel
40	365478	Support Assembly - Keyboard/Monitor
41	360235	Rack Assembly - Cropping Plate Storage
42	700759	Switch - Snap Action
43	707308	Bracket - Switch
44	250166	Plate - Latch
45	210234	Latch- Catch

(Continued)

Lucht Inc. • 11201 Hampshire Ave. S., Bloomington, MN 55438-2454 • Phone (612) 829-5444 • Fax (612) 829-7544

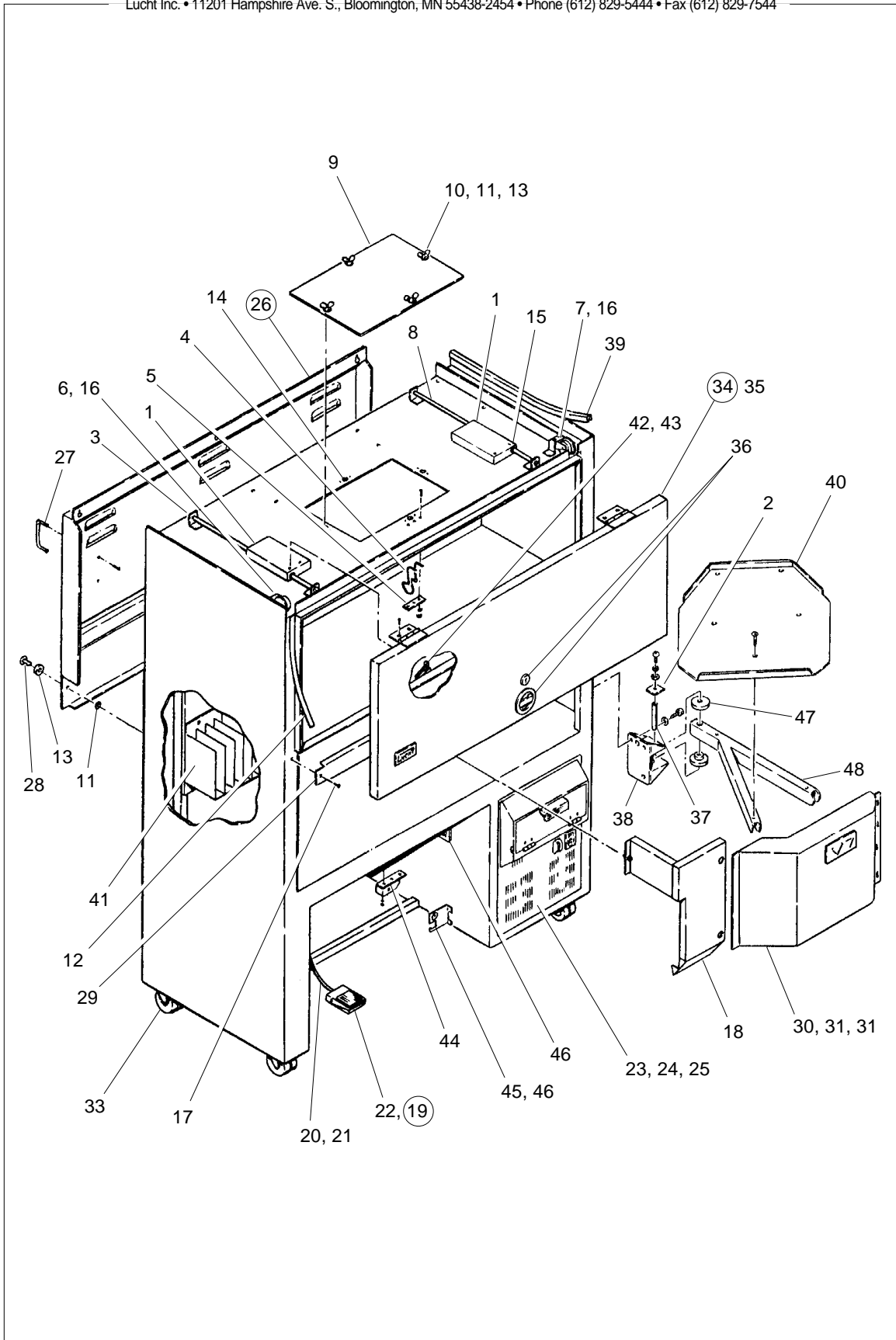


Figure 21 — Main Frame and Covers

Main Frame and Covers (cont'd)

<i>Item No.</i>	<i>Part No.</i>	<i>Description</i>
46	110587	Bushing - Catch Latch
47	367776	Panel Assembly - Serial Interface
48	365489	Bearing-Hinge
49	368535	Frame Weldment-Tray
	240127	Owner's Manual - V-7 (Not Shown)
	360223	Kit - Fastener/Spare Parts (Not Shown)
	250529	Hinge - Lamphouse (Not Shown)
	230144	Bar - Nut, Lamphouse (Not Shown)

Shutter Drawer Assembly

<i>Item #</i>	<i>Part #</i>	<i>Description</i>
1	371793	Housing Ass'y - Shutter
2	368746	Blade - Split Shutter, Rear
3	371589	Panel - Slide Drawer, Shutter, LH
4	701230	Standoff - SLFCLG, 6-32 x .50
5	368745	Rail - Slide, Shutter
6	371588	Panel - Slide Drawer, Shutter, RH
7	706263	Fitting - Elbow, Male, Swivel, 90°
8	700433	Magnet - Ceramic, .50 x 1.00 x .38
9	702633	Tape - Transfer, .50W, A-10 150 Tac
10	702559	Tubing - Heat Shrink, .750 I.D.
11	707137	Air Cylinder - .75 Bore x 10.50 Stk., Dbl. Acting
12	369125	PCB Ass'y - SHE, 5 VDC
13	374259	Bracket W/F - PCB, Shutter Drawer
14	700009	Bracket - Clevis w/Pin
15	706508	Fitting - Connector, Male, .125 NPT x .250 O.D.
16	701696	Screw - SHL, SK, .25 D x .62 L, 10-24 x .38
17	701898	Plug - Pipe, Slotted, 1/8 NPT, Brass
18	706508	Fitting - Connector, Male, .125 NPT x .250 O.D.
19	701374	Fitting - Elbow, .25 O.D. x 10-32, w/2 Gasket
20	700885	Fitting - Tube, 10-32 x .25 O.D., Barbed
21	706506	Fitting - Tee, Branch, 360° Swivel, Female, .250 O.D.
22	700295	Clamp - Cable, .375 Dia. Cable, Nylon
23	368752	Collar - Cylinder, Shutter
24	706517	Air Cylinder - Rotary, 180°, 2.8 Torque, DBL. Acting
25	368749	Bracket - Cylinder, Shutter Drawer
26	368764	Blade - Shutter, Front
27	371242	Mount - Stop, In
28	362083	Washer - Retaining, .267 I.D., .875 O.D., .038 Thk.
29	371241	Stop Ass'y - Shutter
30	371243	Mount - Stop, Out
31	371587	Panel W/F - Drawer, Shutter, TDP
32	706891	Tubing - PEU, .16 I.D. x .25 O.D.
33	701375	Coupler - Socket
34	700404	Grommet - Rubber, .375 I.D.
35	361077	Bracket - Connector
36	369124	Harness - Housing, Shutter
37	706503	Valve Ass'y - Sol, 2 Way, 24 VDC (Dark Shutters)
38	369133	Valve Ass'y - Sol, 4 Way, 24 VDC (Quad Shutters)
39	371552	Valve - Solenoid, 24V, 1-100 PSI, 3 O'clock
40	371553	Valve - Solenoid, 24V, 1-100 PSI, 9 O'clock

Lucht Inc. • 11201 Hampshire Ave. S., Bloomington, MN 55438-2454 • Phone (612) 829-5444 • Fax (612) 829-7544

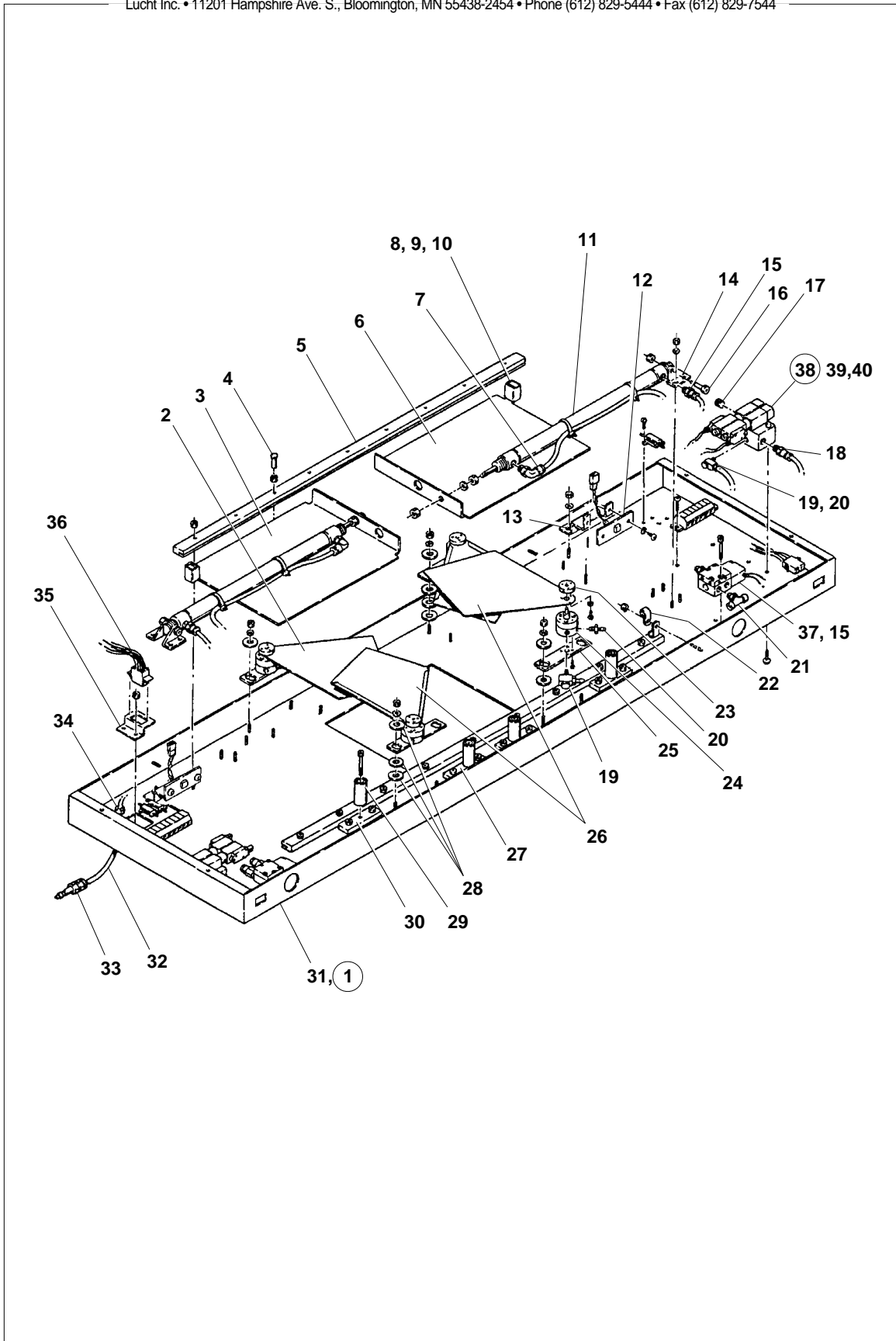


Figure 22 — Shutter Drawer Assembly

Rotary Table Assembly

<i>Item No.</i>	<i>Part No.</i>	<i>Description</i>
1	290295	Air Cylinder Assembly - Rotary Table
2	360276	Air Cylinder - .75 Bore x 8.0 Stroke
3	250421	Plate - Air Cylinder Mount
4	220431	Mount - Air Cylinder
5	700830	Fitting - Air, 1/4"
6	700369	Screw - SHS, .25 x .25 Long
7	360200	Table Assembly - Rotary
8	110578	Base - Table
9	280513	Screw - Adjustment
10	700442	Plug - Hole
11	701664	Ball - .125 Dia., Nylon
12	701673	Setscrew - CPSS, 8-32 x .25 Long
13	280291	Standoff - Adjustment
14	701668	Shock Absorber - Rotary Table
15	280599	Seal - Bearing
16	270269	Ring - Retaining, Bearing
17	701490	Bearing - Ball
18	368300	Ring - Stabilizing
19	706376	Spring - Compression, .032 WD x .180 O.D.
20	280614	Shim - .257 I.D. x .50 O.D. x .005 Thk.
21	701666	Bearing - Rod End
22	360236	Actuator - Cropping
23	701889	Screw - SHS, 1/4 x 1.00 Long
24	701667	Cylinder - Air w/Pin, .437 Bore x .50 Stroke
25	110593	Bracket - Cylinder Mount
26	701696	Screw - SHS, .25 x .625 Long
27	120417	Clevis - Pivot
28	700830	Fitting - Barbed, 10-32 to .078 I.D.
29	290270	Pivot Arm Assembly - Turntable, w/Bearing
30	280511	Stop - Rotary Table
31	270276	Tabletop Assembly - Rotary
32	130155	Diffuser Glass - Flat, 1/8" Thk.
33	701829	Magnet - Disc, .519 Dia.
34	361352	Tape - Adhesive, .031 x .75 x 1 ft.
35	360027	Mounting Bracket - PCB
36	250590	PCB Assembly - T.H.E.
37	362083	Washer - Flat, 1/4", Hardened
38	360180	Riser Block Assembly - Negative
39	360242	Riser Block - Negative
40	360028	Bracket - Mounting, CFS
41	250596	PCB Assembly - C.F.S. w/Connector
42	360021	Block - Pivot
43	360022	Glass - Support
44	700262	Plunger - Ball, 10-32 UNF x .516 Long
45	250190	Pin - Negative Mask
46	701177	Sealant - Adhesive, RTV Silicone
47	700679	Bushing - Bronze

Lucht Inc. • 11201 Hampshire Ave. S., Bloomington, MN 55438-2454 • Phone (612) 829-5444 • Fax (612) 829-7544

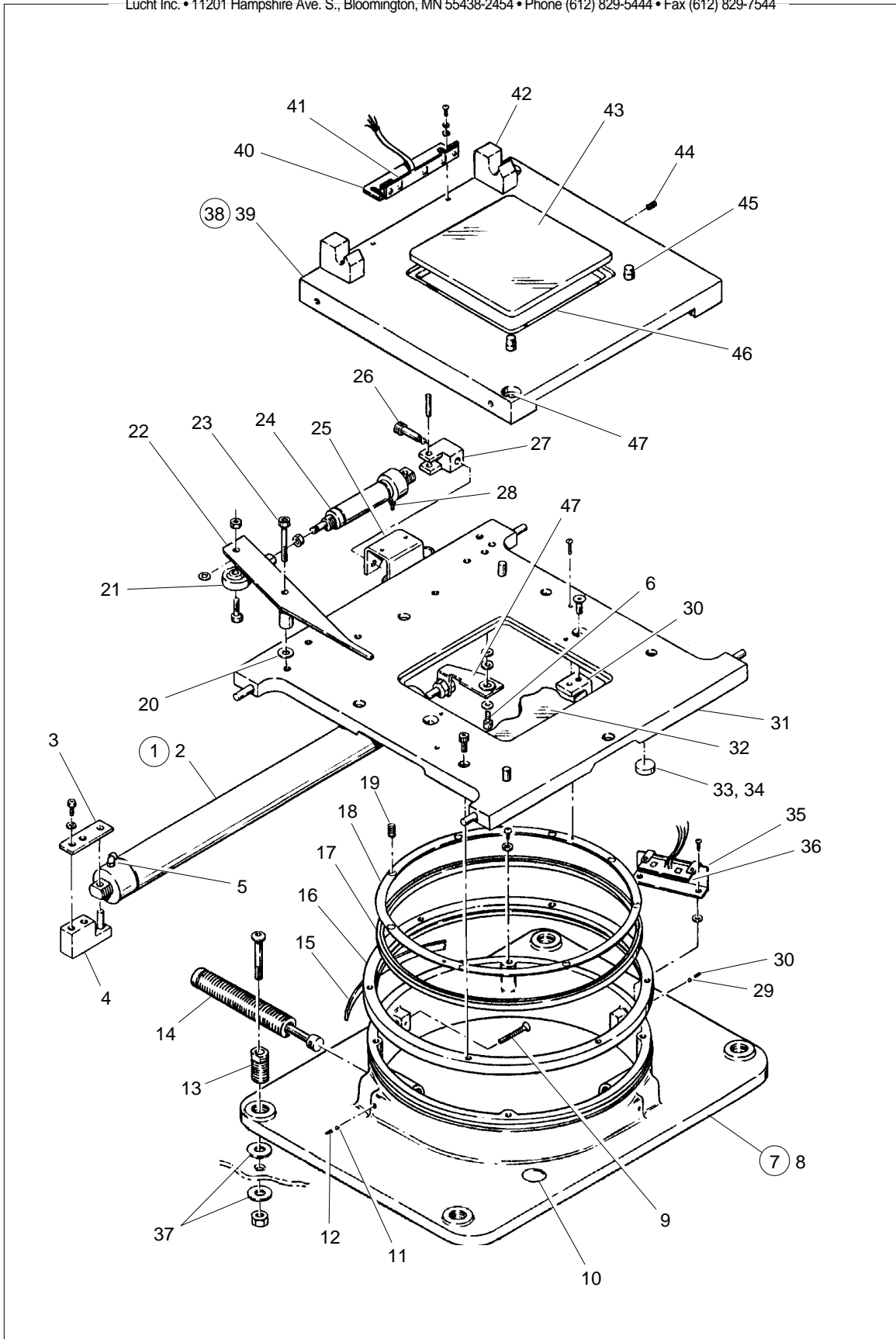


Figure 23 — Rotary Table Assembly

Basic Negative Cleaner

<i>Item #</i>	<i>Part #</i>	<i>Description</i>
-	363525	Negative Cleaner Assembly
1	700885	Fitting - barbed w/Gasket, .25 O.D.
2	701374	Fitting - Elbow, w/2 Gaskets, 10-32
3	702383	Fitting - Tee, Barbed
4	363502	Plate - Negative Cleaner
5	361277	Bracket - Flow Control
6	700863	Valve - Flow Control
7	700332	Hose - .25 O.D. x .040 Wall
8	363501	Mount, Cleaner - Negative
9	704328	Sleve - Hose Clamp

Cropping Plate Assembly

<i>Item No.</i>	<i>Part No.</i>	<i>Description</i>
-	*	Cropping Plate Assembly
1	361404	Mount - Cropping Plate
2	360107	Washer - Flat, .437 O.D. x .194 I.D.
3	360099	Shaft - Cropping
4	701831	Magnet - Square
5	360108	Bracket - Lift
6	360217	Spring - Coil, Compression
7	360104	Disk - Spring Retainer
8	361405	Spacer - Retainer
9	361401	Plate - Cropping
10	365683	Pivot Arm - Crop A+
10	361432	Pivot Arm - Crop B
10	361433	Pivot Arm - Crop C
10	361434	Pivot Arm - Crop D
10	361435	Pivot Arm - Crop E
10	361436	Pivot Arm - Crop F
10	361437	Pivot Arm - Crop G
10	361438	Pivot Arm - Crop H
10	361439	Pivot Arm - Crop Split 70
11	*	Plate - Aperture
12	361407	Blade - Cropping (Crop B Thru H)
12	365682	Blade - Cropping (Crop A+)
13	361406	Trip Arm - Cropping Blade (All But Crop A+)
13	365681	Trip Arm - Cropping Blade (Crop A+)
14	702633	Tape - Transfer
15	701488	Sealant - Adhesive
16	702637	Bearing - Teflon, .25 ID, .375 OD
17	361403	Stud - Cam Follower
18	361408	Spring - Crops F, G, H, C sq., D sq., E sq.
18	361409	Spring - Crops B, C, D, E
19	701841	Screw - Set, 4-40 x .62 Long

* Contact Lucht Inc. for assistance when ordering this item.

Lucht Inc. • 11201 Hampshire Ave. S., Bloomington, MN 55438-2454 • Phone (612) 829-5444 • Fax (612) 829-7544

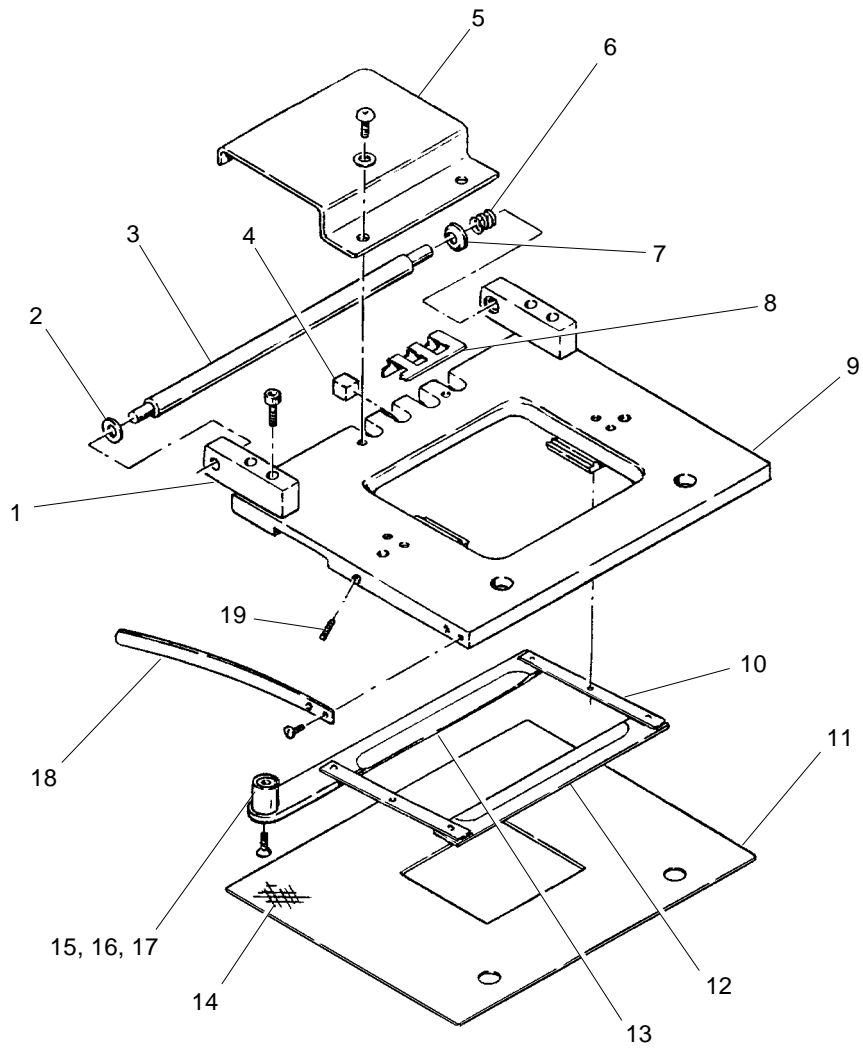


Figure 25 — Cropping Plate Assembly

Lens Baffle Assembly

<i>Item No.</i>	<i>Part No.</i>	<i>Description</i>
-	*	Baffle Assembly - Lens
1	371330	Bracket - Lens Deck, Right
2	371334	Guide - Lens Deck
3	360191	Shield - Reflection, 5.7"
3	360194	Shield - Reflection, 4.2"
4	*	Baffle - Lens
5	371533	Block - Stop
6	360059	Retainer - Spring
7	701831	Magnet - .25" x .25" x .25"
8	360222	Spring - Extension
9	360192	Guide Bar - Lens Deck
10	371536	Bracket - Lens Deck, Left

* Contact Lucht Inc. for assistance when ordering this item.

Lucht Inc. • 11201 Hampshire Ave. S., Bloomington, MN 55438-2454 • Phone (612) 829-5444 • Fax (612) 829-7544

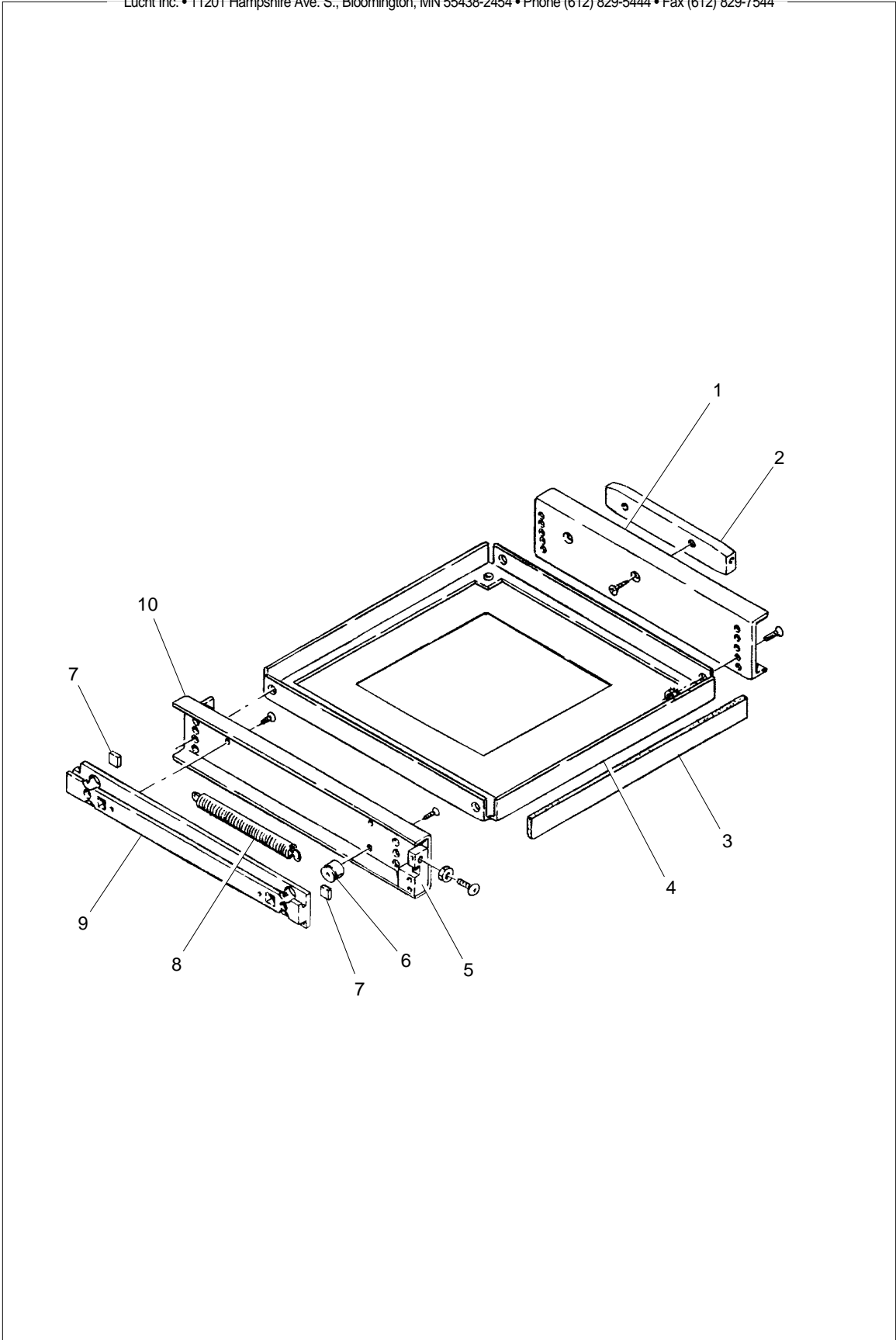


Figure 26 — Lens Baffle Assembly

Lens Deck Assembly

<i>Item No.</i>	<i>Part No.</i>	<i>Description</i>
-	*	Lens Deck Assembly - V-7
1	360173	Nut - Lens Adjustment
2	360172	Stud - Lens Adjustment
3	371330	Bracket - Lens Deck, Right
4	371334	Guide - Lens Deck
5	371333	Pin - Guide
6	360191	Shield - Reflection, 5.7"
6	360194	Shield - Reflection, 4.2"
7	*	Deck - Lens
8	371533	Block - Stop
9	360059	Retainer - Spring
10	701831	Magnet - .25" x .25" x .25"
11	360222	Spring - Extension
12	371534	Guide Bar - Lens Deck
13	371536	Bracket - Lens Deck, Left
14	*	Board - Lens
15	364523	Plate - Lens Retaining
16	*	Lens - Printer
17	900921	Filter Cap - Lens, 1.312 O.D. (Large)
17	900923	Filter Cap - Lens, 1.25 O.D. (Small)

* Contact Lucht Inc. for assistance when ordering this item.

Lucht Inc. • 11201 Hampshire Ave. S., Bloomington, MN 55438-2454 • Phone (612) 829-5444 • Fax (612) 829-7544

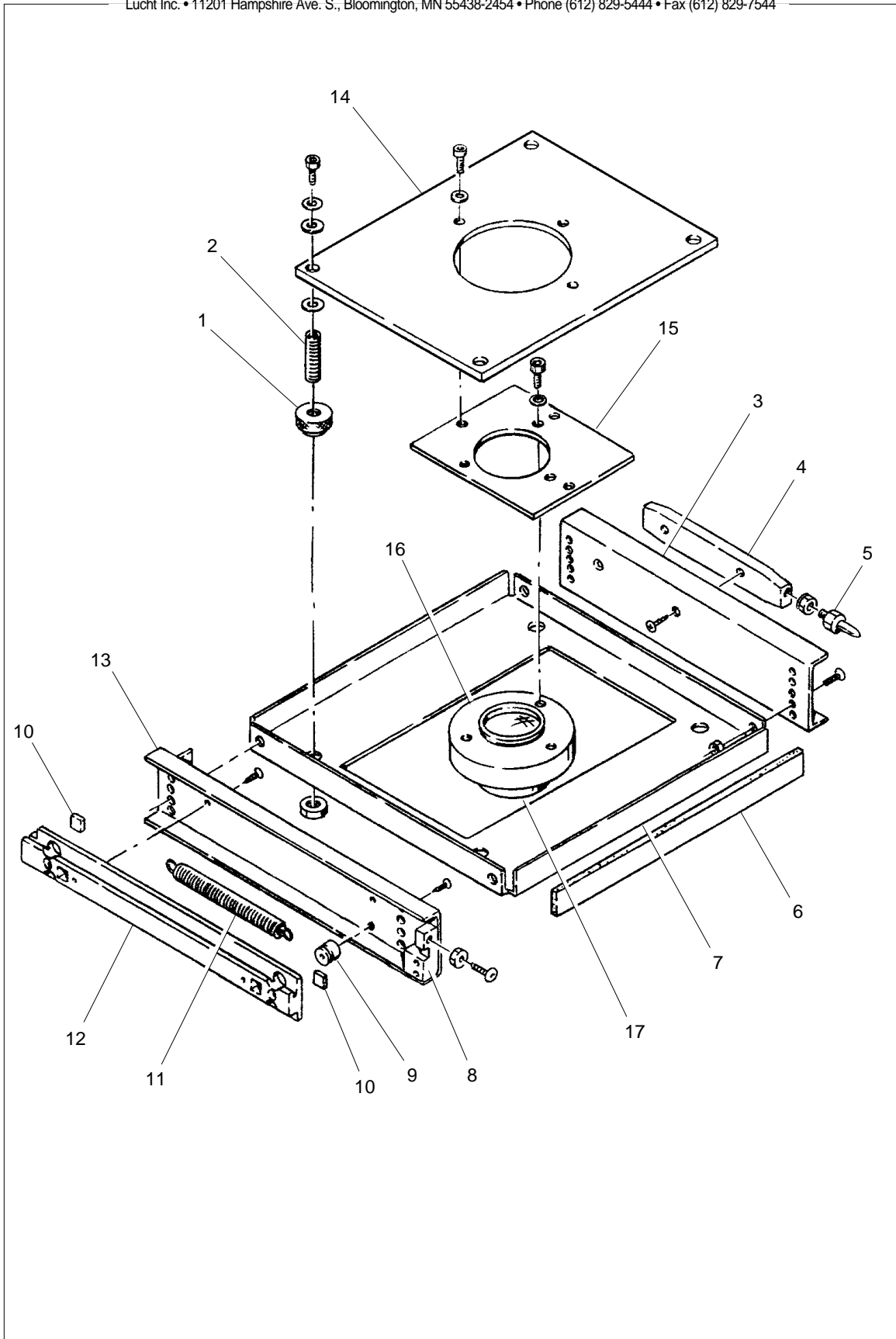


Figure 27 — Lens Deck Assembly

Receptor Box Assembly

<i>Item No.</i>	<i>Part No.</i>	<i>Description</i>
-	367948	Receptor Box Assembly
1	371327	Cover - Adjustment Hole, Upper
2	371332	Guide - Box, Receptor
3	361348	Lock - Carousel
4	702152	Fitting - Straight Barbed
5	367889	Guide - Alignment, Deck
6	361333	Mount - L.P.S. PCB
7	360160	Bracket Assembly - Lock Sense
8	360161	Bracket - Lock Sense
9	701831	Magnet, .25" x .25" x .25"
10	360061	Pin - Alignment, Carousel
11	371329	Bracket - Cover, Lower
12	371337	Rail - Slide Guide, Short
13	371336	Rail - Slide Guide
14	361298	Baffle - Top Right
15	361710	PCB Assembly - Y.H.E.
16	361724	PCB Assembly - L.P.S.
17	700830	Fitting - Barbed, 10-32 to .078 I.D.
18	360066	Bracket - Mounting Cylinder
19	701667	Cylinder - Air, Lock, .437 Bore x .50 Stroke
20	701359	Tip - Molded Rubber
21	371335	Light Shield - Bottom

Lucht Inc. • 11201 Hampshire Ave. S., Bloomington, MN 55438-2454 • Phone (612) 829-5444 • Fax (612) 829-7544

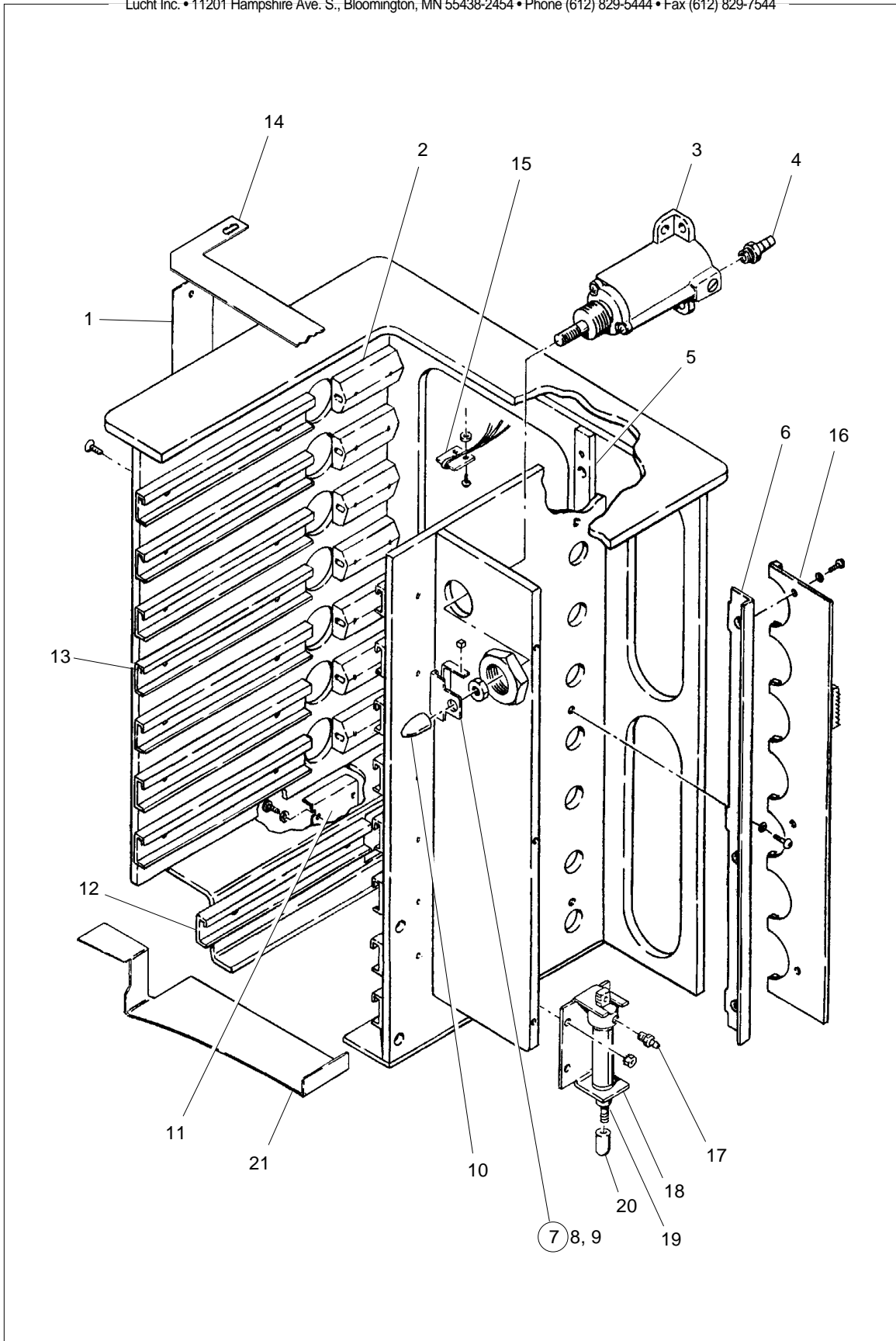


Figure 28 — Receptor Box Assembly

Paper Rollers

Item #	Part #	Description
1	250623	Splice Detector Ass'y - Paper
2	110539	Clamp - Board
3	100237	Arm - Adjustment
4	250588	PCB Ass'y - PSD
5	250619	Mount - PCB, PSD
6	290274	Thumbscrew Ass'y
7	701077	Connector - Card Edge
8	703303	Spring - Extension
9	363829	Arm - Lever
10	110241	Holder Ass'y - Bearing
11	110376	Arm Ass'y - Buffer
12	110228	Buffer - Arm
13	270143	Roller Assembly
14	280264	Shaft - Pivot
15	280265	Shaft - Buffer Roll
16	700570	Screw - KCPS, 1/4" -28 x .3125
17	700707	Ring - Retaining, Ext.
18	280270	Stop - Arm
19	704387	Bumper - Grommet
20	367570	Flange - Roller
21	150189	Paper Guide Flange - Roller, Split
22	369471	Pulley Assembly - Timing
23	706753	Clutch - Slipper, Open Plate, Adjustable
24	705303	Ring - Retaining, Ext., .187 Dia. Shaft
25	701192	Pin - Spring, .25 x 1.50
26	280509	Shim - .657 I.D., 1.14 O.D. x .0239 Thk.
27	280345	Standoff - Bearing Hub
28	363931	Mount - Bearing, QCS2
29	700802	Bearing - Ball, Radial, .625 I.D., 1.375 O.D. x .343 W
30	369474	Shaft - Take-up
31	365638	Mount - Shock
32	707007	Shock Absorber - Self
33	371517	Collar - Stop, Shock
34	701539	Screw - Cap, Sk, 6-32 x 1.25
35	700082	Screw - BHC, 1/4" -20 x .75
36	270145	Flange- Roller, Core Gripper
37	700350	Setscrew, 1/4" -20 x .375
38	702990	Setscrew, Nylon Insert, 8-32 x .25
39	363301	Knob - Core Gripper
40	363302	Adaptor - Threaded, Core Gripper
41	363304	Tube Ass'y - Expansion, Core Gripper
42	363300	Support - Tapered, Core Gripper
43	363826	Motor - Stepper
44	363813	Bracket - Stepper Drive Motor
45	703192	Belt - Timing Drive
46	364534	Pulley - 12-Tooth
47	363812	Shaft - Drive Roller

(continued)

Lucht Inc. • 11201 Hampshire Ave. S., Bloomington, MN 55438-2454 • Phone (612) 829-5444 • Fax (612) 829-7544

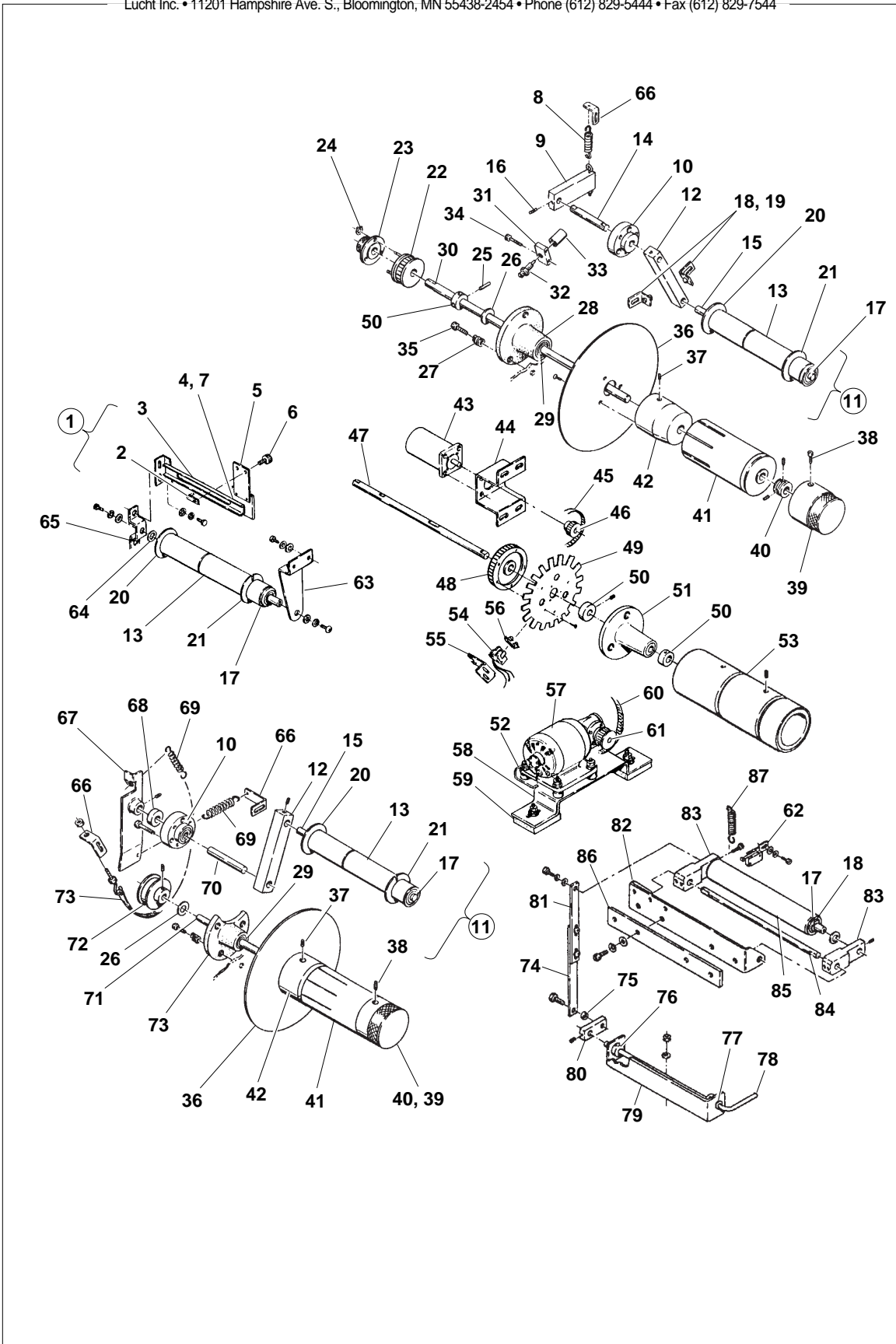


Figure 29 — Paper Rollers

Paper Rollers (cont'd)

<i>Item #</i>	<i>Part #</i>	<i>Description</i>
48	363814	Pulley - 72-Tooth
49	310102	Vane - Counter Disk
50	700037	Collar - .625 I.D.
51	110349	Bearing Mount - Drive Shaft
52	703191	Mount - Vibration
53	371230	Drive Roller Assembly - Long
54	700481	Switch - Vane
55	363828	Bracket - Vane Switch
56	120205	Retainer Plate - Vane Switch
57	372861	Motor Ass'y - Take-up
58	363815	Bracket - Take-up
59	363824	Pad - Take-up Motor
60	702654	Belt - Timing
61	700719	Pulley - 20-Tooth
62	700759	Switch - Snap Action
63	110237	Bracket - Idler Shaft
64	701782	Spacer - .257 I.D. x .562 O.D. x .05
65	110238	Bracket - Idler Mount
66	363818	Bracket - Spring
67	363822	Arm - Brake
68	363816	Spacer - .750 O.D. x .058 Wall
69	703303	Spring - Extension
70	363817	Shaft - Supply Bail
71	280269	Shaft - Supply
72	250153	Pulley - Brake
73	110244	Belt - Brake Ass'y
74	210112	Link - Adjusting, Lower
75	280302	Spacer - Pressure Roller Bolt
76	700298	Collar - .375 I.D.
77	700803	Bearing - Snap-in, .375 I.D.
78	170125	Handle - Pressure Roll
79	110236	Bracket - Pressure Release
80	120182	Arm - Crank
81	210113	Link - Adjusting
82	367771	Bracket - Pressure Roller
83	364328	Arm Ass'y - Pressure Roller
84	280272	Shaft - Pressure Roller
85	360988	Roller Ass'y - Print
86	367311	Stiffener - Pressure Roller
87	701672	Spring - Extension, 2-1/4" long

Back Panel Components

<i>Item #</i>	<i>Part #</i>	<i>Description</i>
1	361712	PCB Assembly - CMC (Accudata Only)
2	704993	Grommet - Rubber, 2.1" Round
3	701135	Capacitor - Electro, Spcl. (Optional Canistor Only)
4	702804	Bracket - Capacitor (Optional Canistor Only)
5	250324	Pad - Motor Mount, Blower
6	360001	Motor Assembly - Blower
7	100051	Plate Ass'y - Adapter
8	220231	Mount - Motor, Blower
9	700269	Blower - 140 cfm
10	368125	Module - Paper Advance
11	360277	Power Supply - Assembly
12	700310	Coupler - Air, Male Plug, 1/4 NPT
13	700399	Fitting - Tube, Female, 1/4 x 1/4 NPT
14	700505	Bracket - Mounting, Filter & Gauge
15	369058	Wire Harness - Universal, V-7 (With Terminal Blocks)
16	150200	Filter & Gauge Assembly
17	700206	Filter - Regulator, Integral
18	700616	Fitting - Tube, Male Tee, .25 O.D.
19	701008	Gauge - Pressure
20	702151	Valve - Double Shuttle
21	702508	Screw - Metering
22	700885	Fitting - Barbed Air, 10-32 x .25 O.D.
23	702505	Module - Manifold
24	702504	Valve - Solenoid, 24 VDC, 3 Way, 5 Watt
25	700830	Fitting - Pipe, 10-32 x .078 I.D., Plastic, Barbed
26	701898	Plug - Pipe, Slotted, 1/8 NPT
27	702167	Fitting - Tube, 1/8 NPT x .25 O.D. Barbed
28	364531	Chassis Assembly - Power Distribution
29	700207	Relay - Power, DPDT
30	700643	Receptacle - Two Pole
31	702684	Bushing - Strain relief
32	702656	Circuit Breaker - 15 A, 120 VAC
33	702678	Cord - Power

Lucht Inc. • 11201 Hampshire Ave. S., Bloomington, MN 55438-2454 • Phone (612) 829-5444 • Fax (612) 829-7544

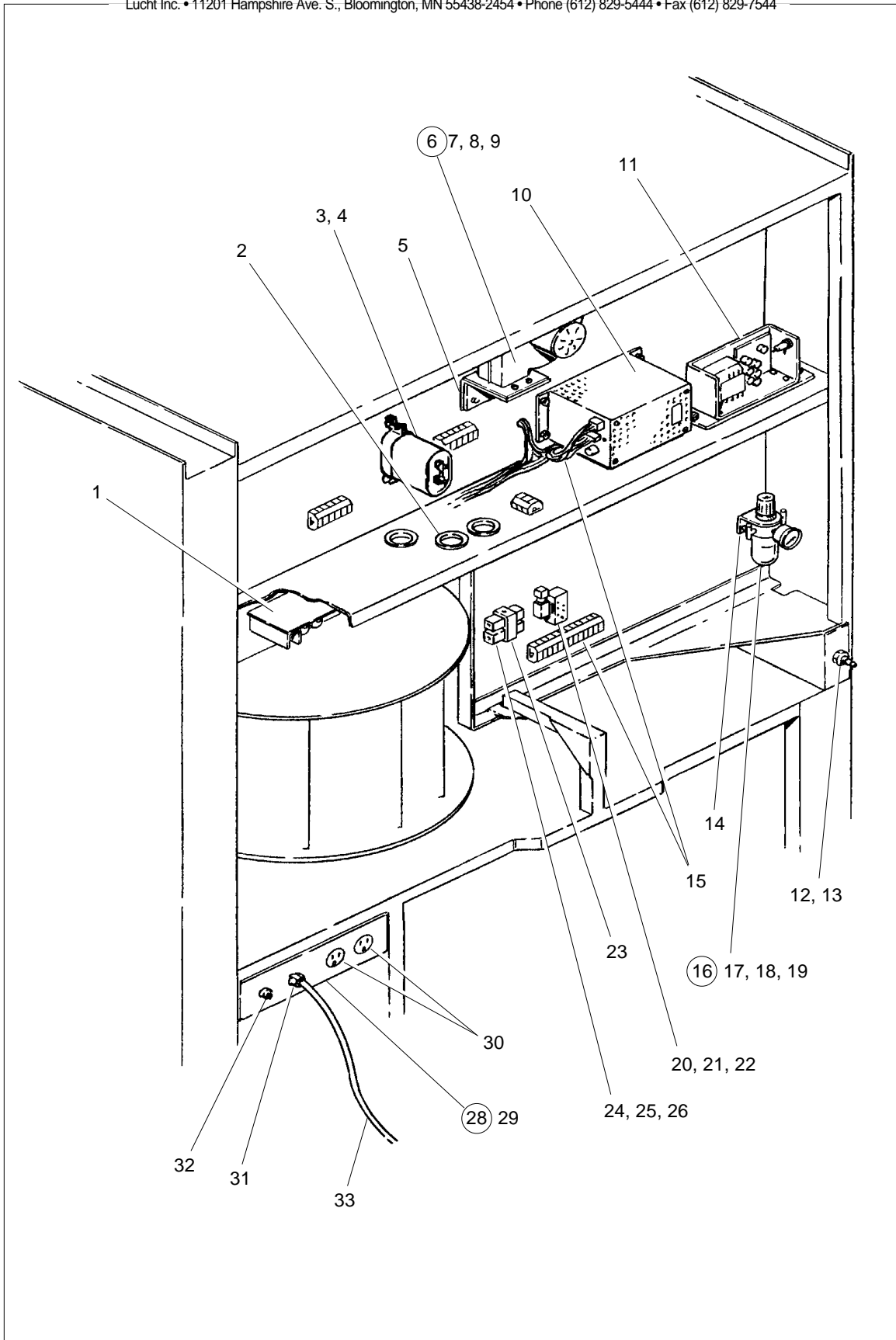


Figure 30 — Back Panel Components

Carousel and Post Assembly

Item No.	Part No.	Description
1	360054	Bracket - Post Support
2	360055	Support - Post
3	360230	Carousel Assembly - V-7
4	360049	Collar - Retaining
5	360048	Retainer - Bearing
6	360056	Washer - Bearing, .156 Thick
7	360220	Post Assembly - Carousel
8	361706	PCB Assembly - C.P.S.
9	367897	PCB Assembly - R.L.S.
10	360227	Mount - PCB
11	367988	Bracket - Mounting, Adjustment
12	280291	Standoff - Adjusting
13	280560	Motor Assembly - Stepping
14	360040	Air Cylinder Assembly - Top, Carousel
15	701828	Air Cylinder - .75 Bore, 7.5 Stroke
16	371532	Extension - Cylinder
17	371898	Clamp - Spring
18	707306	Spring - Comp, .063 WD, .480 OD, 1.00 FL
19	701840	Valve - Solenoid
20	701824	Fitting - Tube, Right Angle, .25 O.D.
21	701825	Fitting - Tube, .25OD x 1/8 NPT
22	702038	Pipe Fitting - Street Elbow, 1/8 NPT
23	360050	Air Cylinder Assembly - Lower, Carousel
15	701828	Air Cylinder - .75 Bore x 7.5 Stroke
16	371532	Extension - Cylinder
17	371898	Clamp - Spring
18	707306	Spring - Comp, .063 WD, .480 OD, 1.00 FL
21	701825	Tube Fitting, .25 O.D. x 1/8 NPT
22	702038	Pipe Fitting - Street Elbow, 1/8 NPT
24	701826	Tube Fitting - Tee, .25 O.D.
25	701827	Tube - Black
26	360070	Filter & Gauge Assembly - Air
27	360071	Roller - Drive
28	360170	Wire Harness Assembly - Carousel
29	700150	Tube Fitting - Male Elbow
30	700310	Air Coupler - Male
31	700054	Air Coupler - Female
32	700703	Fitting - Tube, Male Elbow, .25 O.D. x 1/4 NPT
33	700369	Screw - SHS, 1/4 x .25
34	700399	Tube Fitting - Female, .25 O.D. x 1/4 FBT
35	700885	Barbed Fitting, .25 O.D. x 10-32
36	701516	Hex Connector - Female, 10-32 UNF
37	700930	Bearing - Nylon, .250 I.D.
38	702044	O-Ring, 1.171 I.D. x .139
39	701008	Pressure Gauge - Air
40	701661	Pressure Regulator - Air

(continued)

Lucht Inc. • 11201 Hampshire Ave. S., Bloomington, MN 55438-2454 • Phone (612) 829-5444 • Fax (612) 829-7544

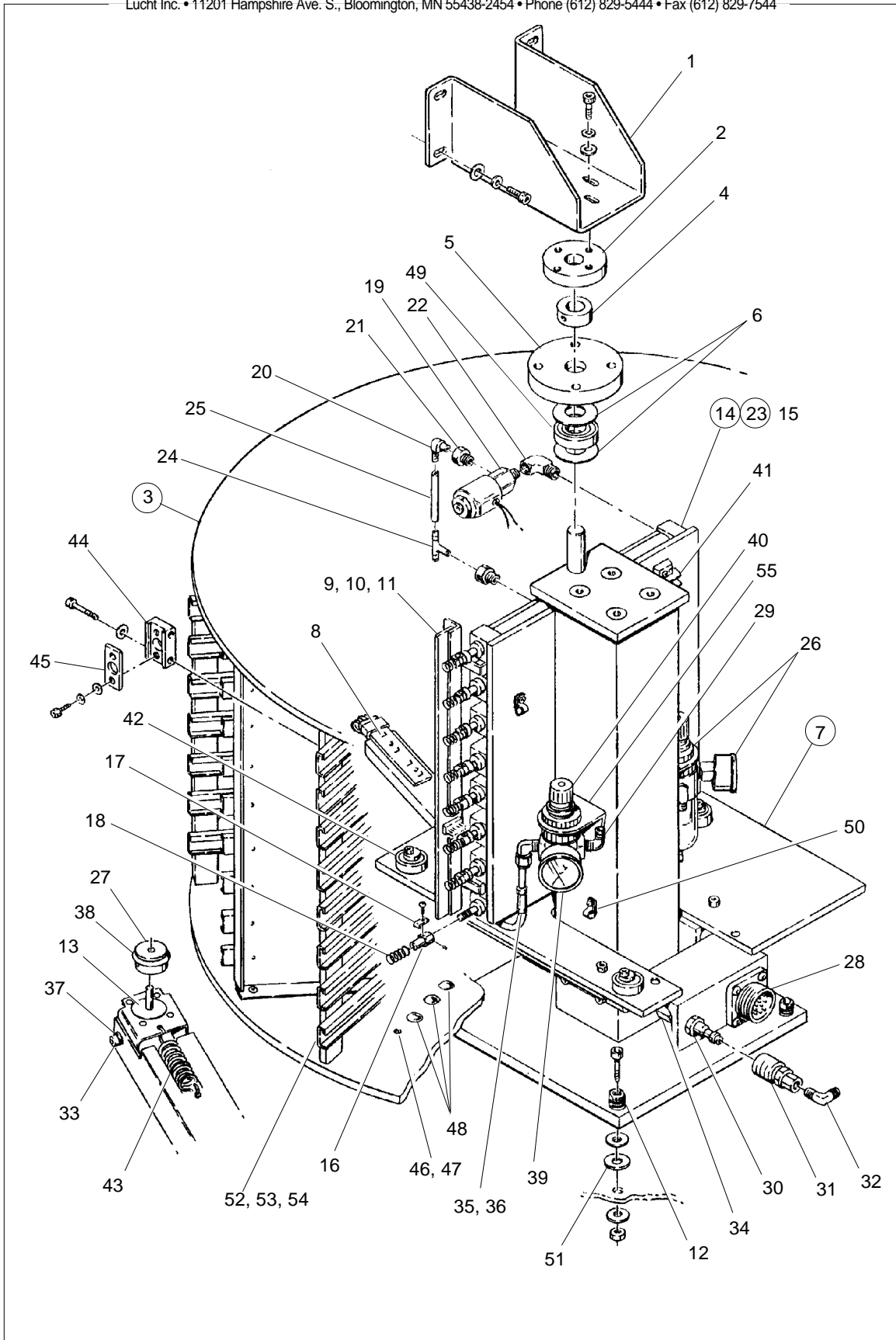


Figure 31 — Carousel and Post Assembly

Carousel and Post Assembly (cont'd)

41	701425	Terminal Block - 14 Lug
42	701835	Bearing - Ball
43	701860	Spring, Extension
44	361626	Block - Alignment, Carousel
45	361627	Plate - Alignment
46	360075	Screw Assembly - Magnet Position
47	701731	Magnet - Miniature
48	701829	Magnet - Disc
49	701836	Bearing - Ball
50	700295	Clamp - Cable
51	361632	Washer - Support
52	360016	Rail - Slide Guide, 6.97" Long (0°)
52	360017	Rail - Slide Guide, 6.12" Long (30°)
52	360018	Rail - Slide Guide, 6.62" Long (15°)
53	360072	Bumper - Deck Stop
54	360069	Stop - Deck (Bumper Mtg. Bracket)
55	700505	Bracket - Mounting, Filter and Gauge

Viewer Assembly

<i>Item No.</i>	<i>Part No.</i>	<i>Description</i>
-	360274	Film Viewer Assembly - V-7
1	360252	Mirror - Film Viewer, Retractable
2	361352	Tape - Adhesive, .031 x .75 x 1 ft.
3	361351	Tape - Foam, .25 x .50 x 5 ft.
4	360256	Viewer Mirror Assembly - Top
5	360259	Viewer Mirror Assembly - Bottom
6	360266	Cover - Viewer, PCB
7	360268	Link - Cylinder
8	360269	Pin - Pivot, Viewer
9	361708	PCB Assembly, Y.H.E.
10	700811	Bearing - Flange, Rulon
11	700916	Pin - Spring
12	700918	Ring - Retaining, Ext., .230 x .029
13	700930	Bearing - Nylon, .250 I.D.
14	702098	Screw - SPH, 2-56 x .31
15	700433	Magnet - Directional
16	360299	Viewing Mirror Assembly - Front
17	701241	Air Cylinder - .50 Bore x 1.50 Stroke
18	700830	Fitting - Barbed
19	704427	Spring - Extension
20	700829	Clevis - Rod w/Jam Nut
21	702507	Pin - Hitch
22	702050	Washer - Wave Spring
23	360568	Absorber - Light
24	360270	Arm - Mounting
25	280616	Shim - .257 I.D. x .50 O.D. x .020 Thk.
26	360267	Block - Bushing, V-7
27	360244	Mount - Film Viewer
28	360251	Mount - Film Viewer Mirror
29	360273	Plate - Cylinder Mounting
30	702051	Bracket - Cylinder Pivot
31	360272	Block - Cylinder Mounting

Lucht Inc. • 11201 Hampshire Ave. S., Bloomington, MN 55438-2454 • Phone (612) 829-5444 • Fax (612) 829-7544

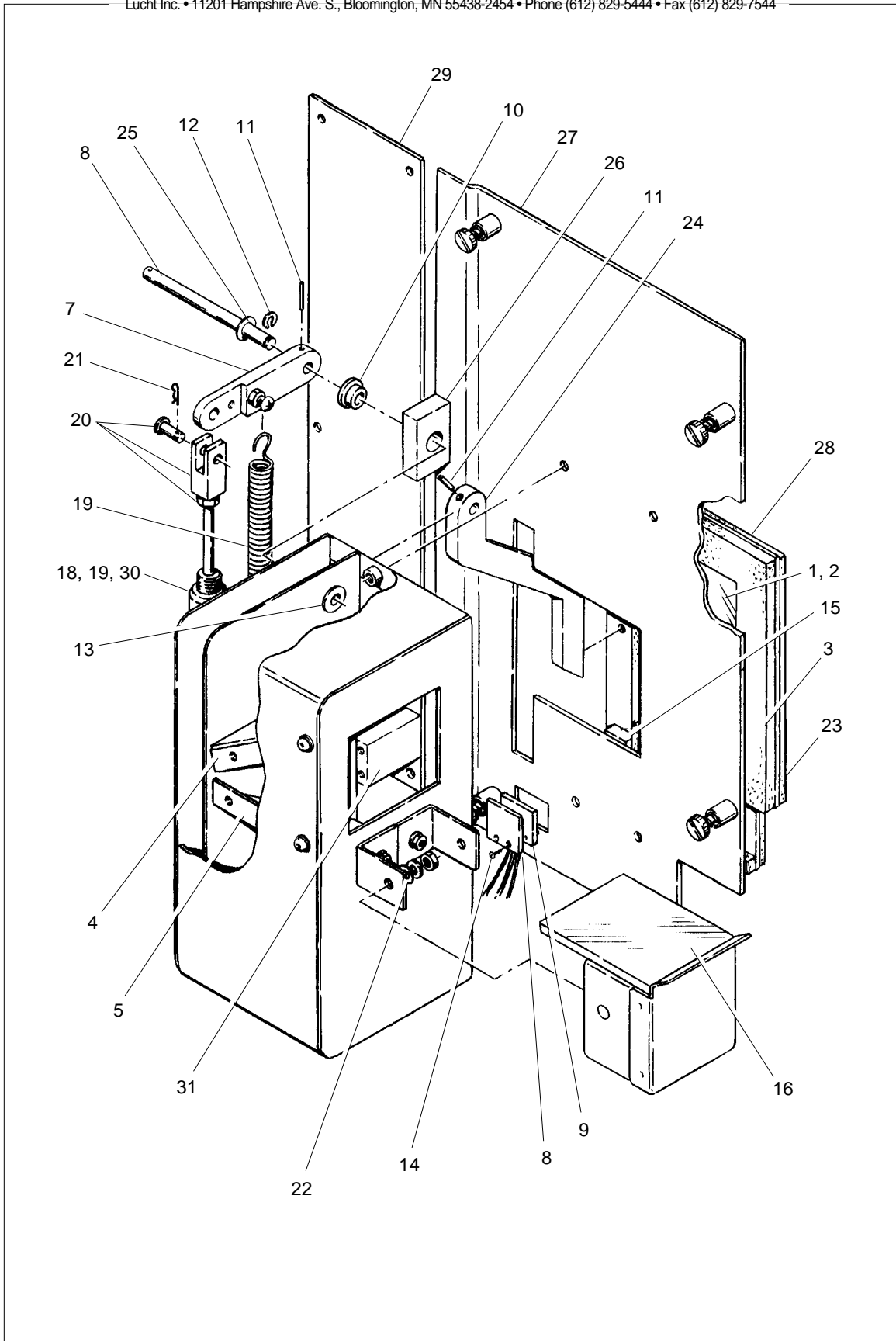


Figure 32 — Viewer Assembly

Paper Rollers (With Optional Canisters)

Item #	Part #	Description
1	703316	Washer - Swivel, Male
2	703317	Washer - Swivel, Female
3	364156	Pin - Canister Locator
4	365548	Stiffener W/F - Mounting, Canister
5	364335	Bracket - Canister Support
6	703303	Spring - Extension
7	363829	Arm - Lever
8	364120	Holder Assembly - Buffer Arm
9	365546	Bracket W/F - Mounting, Canister, Upper
10	364246	Buffer Arm - Take-Up
11	702422	Bumper - 1" Dia. x .56 Thick
12	280265	Shaft - Buffer Roller
13	150223	Paper Guide Flange - Roller
14	270143	Roller Assembly
15	150189	Paper Guide Flange - Roller, Split
16	367284	Spacer - Buffer Arm Pivot, Take-Up
17	704875	Ring - Retaining, Int., 1.375 Dia. Shaft
18	704868	Bearing - Ball, Radial, .669 I.D. x 1.378 O.D. x .393 W
19	367289	Spacer - Bearing, Buffer Arm Pivot
20	705303	Ring - Retaining, Ext., .187 Dia. Shaft
21	706753	Clutch - Slipper, Open Plate, Adjustable
22	369471	Pulley Ass'y - Timing
23	369474	Shaft - Take-Up
24	700037	Collar, .625 I.D.
25	701192	Pin - Spring, .250 x 1.00
26	365547	Stiffener W/F - Mounting, Canister, Lower
27	280509	Shim - .657 ID x 1.14 O.D.
28	363931	Mount Assembly - Bearing
29	280345	Standoff - Bearing Hub
30	700082	Screw - BHC, 1/4-20 x .75 Long
31	364106	Retainer - Core Gripper
32	367346	Tube - Expansion
33	367347	Support - Tapered
34	354111	Washer - Thrust
35	365245	Handle - Nut
36	363826	Motor - Stepper
37	363813	Bracket - Stepper Drive Motor
38	364534	Pulley - 12 Tooth
39	703192	Belt - Timing Drive
40	363812	Shaft - Drive Roller
41	363814	Pulley - 72 Tooth
42	310102	Vane - Counter Disk
43	700037	Collar - .625 I.D.
44	110349	Bearing Mount - Drive Shaft
45	130162	Drive Roller - 3.86 Dia.
46	700481	Switch - Vane
47	363828	Bracket - Vane Switch
48	120205	Retainer Plate - Vane Switch
49	250623	Detector Assembly - Paper Splice

(continued)

Lucht Inc. • 11201 Hampshire Ave. S., Bloomington, MN 55438-2454 • Phone (612) 829-5444 • Fax (612) 829-7544

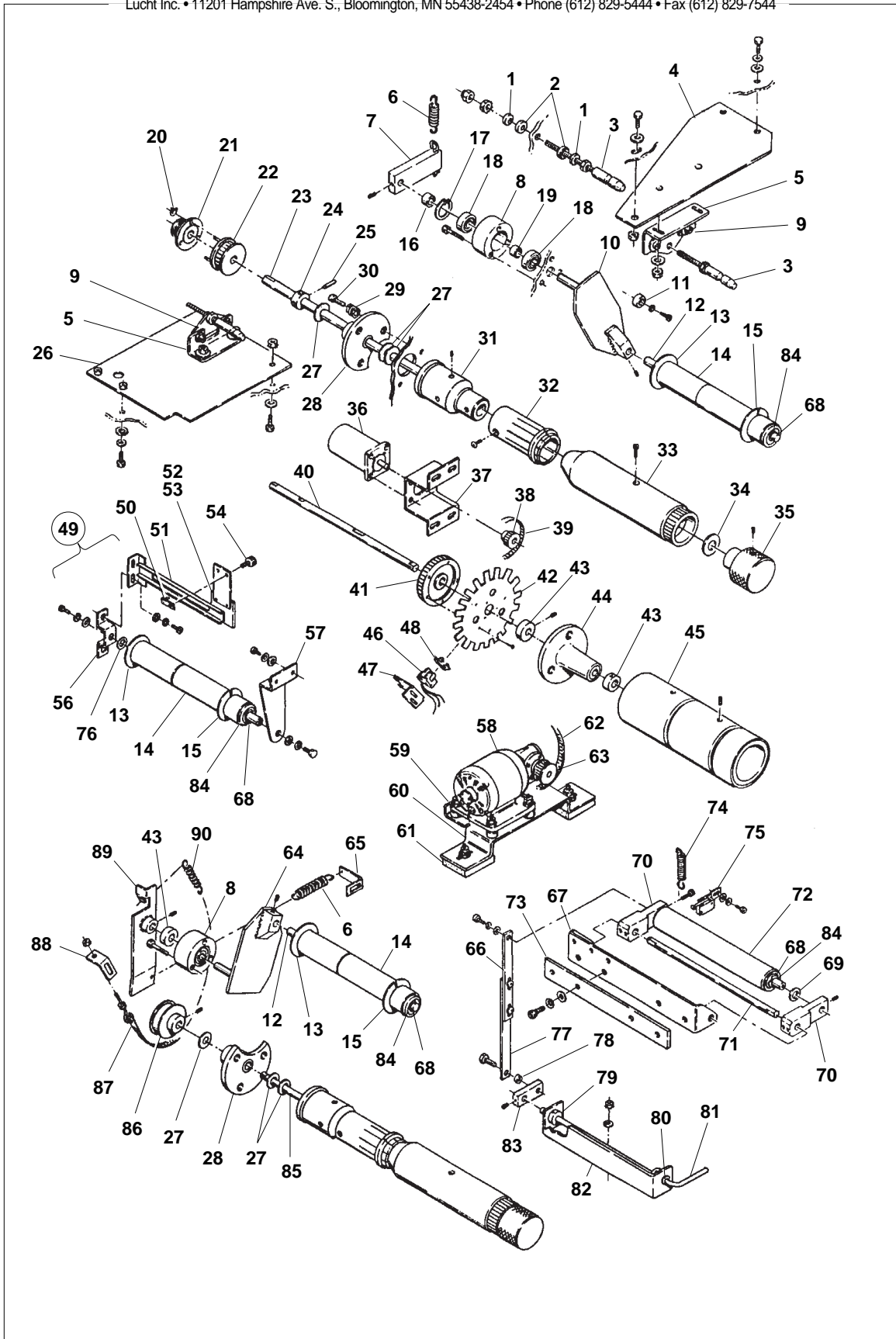


Figure 33 — Paper Rollers (with Optional Canisters)

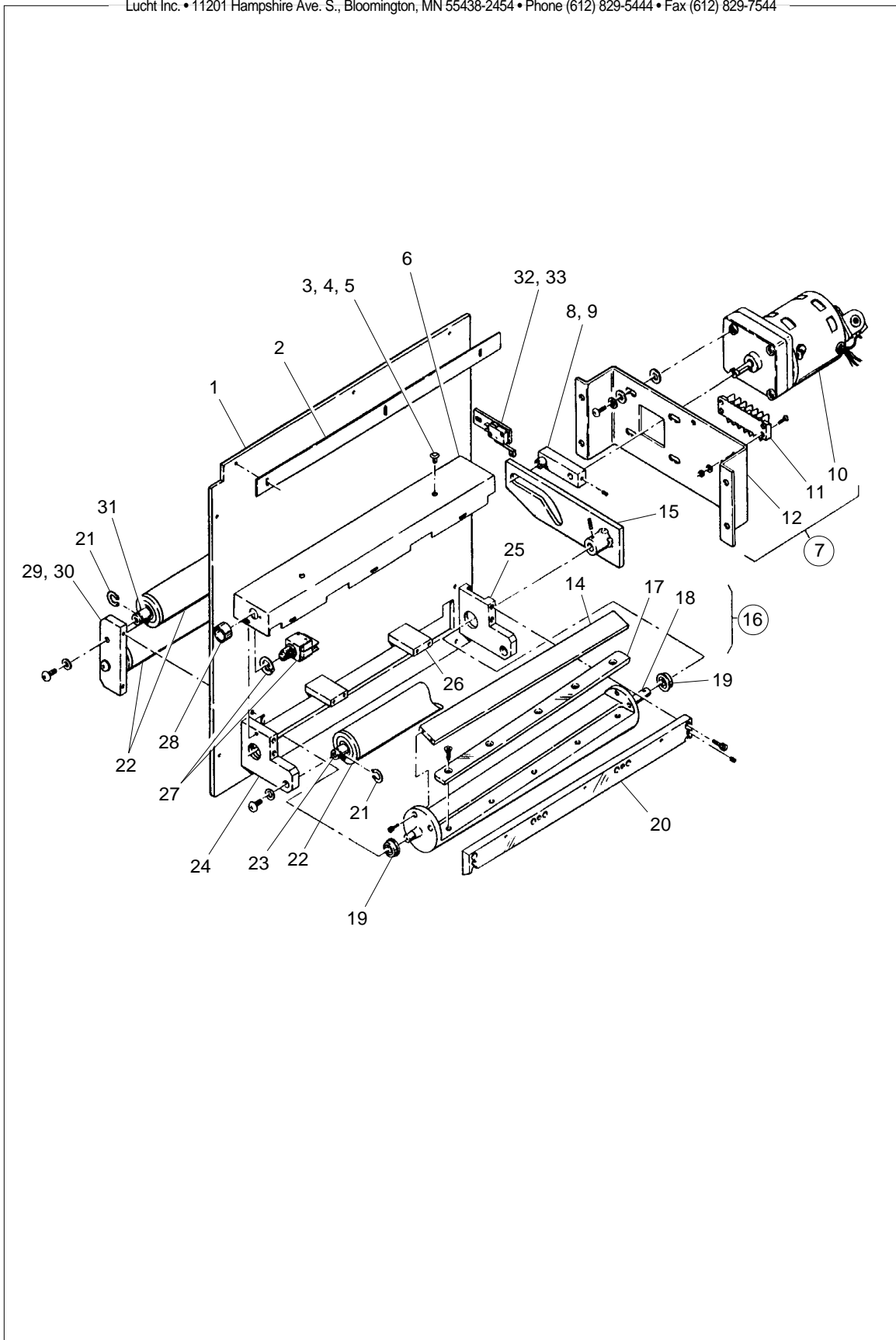
Paper Rollers (With Optional Canisters — cont'd)

<i>Item #</i>	<i>Part #</i>	<i>Description</i>
50	110539	Board Clamp - Splice Detector
51	100237	Adjustment Arm - Splice Detector
52	250588	PSD PCB Ass'y
53	250619	PCB Mount, PSD
54	290274	Thumbscrew Assembly
55	701077	Connector - Card Edge
56	110238	Bracket - Idler Mounting
57	110237	Bracket - Idler Shaft
58	363827	Motor Assembly - Take-Up
59	703191	Mount - Vibration
60	363815	Bracket - Take-Up
61	363824	Pad - Take-Up Motor
62	702654	Belt - Timing
63	700719	Pulley - 20 Tooth
64	364247	Arm - Buffer Roller
65	363623	Bracket - Spring
66	210113	Link - Adjusting
67	250487	Bracket - Pressure Roller
68	700707	Ring - Retaining, External
69	701228	Shim - .50 I.D. x .75 O.D. x .04 Thk.
70	364330	Arm Assembly - Pressure Roller
71	280272	Shaft - Pressure Roller
72	360988	Roller Assembly - Print
73	280271	Stiffener - Pressure Roller
74	701672	Spring - Extension, 2.25 Long
75	700759	Switch - Snap Action
76	701782	Spacer - .257 I.D. x .562 O.D. x .05 Thk.
77	210112	Link - Adjusting, Lower
78	280302	Spacer - Pressure Roller Bolt
79	700298	Collar - .375 I.D.
80	700803	Bearing - Snap-In, .375 I.D.
81	170125	Handle - Pressure Roll
82	110236	Bracket - Pressure Release
83	120182	Arm - Crank
84	280645	Shim - .50 I.D. x .75 O.D. x .005 Thk.
84	280646	Shim - .50 I.D. x .75 O.D. x .010 Thk.
84	280647	Shim - .50 I.D. x .75 O.D. x .025 Thk.
84	280648	Shim - .50 I.D. x .75 O.D. x .047 Thk.
85	364114	Shaft - Supply Roller
86	250153	Pulley - Brake
87	110244	Belt - Brake Assembly
88	363819	Bracket - Spring
89	363822	Arm - Brake
90	703303	Spring - Extension

Paper Cutter Assembly (With Optional Canisters)

<i>Item #</i>	<i>Part #</i>	<i>Description</i>
-	364122	Cutter Assembly - Paper
1	364123	Plate - Support, Cutter
2	364297	Shield - Light, Support Plate
3	702687	Mount - Push-in, 1/4" Dia.
4	700517	Cable Tie - Miniature
5	701782	Washer - Special, .05 Thick
6	364190	Cover - Cutter Assembly
7	364153	Mount Assembly - Motor, Cam
8	701868	Cam Follower - .50 Roller Dia.
9	361906	Arm - Cam Follower
10	361945	Motor Assembly - Gear
11	700237	Terminal Block - 6 Lug
12	364154	Mounting Bracket - Cam Motor
13	361894	Pin - Cut Blade
14	364189	Bar - Cut Blade
15	364151	Cam Arm Weldment - Cutter
16	361863	Blade Assembly - Rotary
17	361835	Blade - Adjustment
18	361835	Retainer Casting - Blade
19	702808	Bearing - Ball, Radial
20	364128	Blade - Stationary
21	700707	Ring - Retaining, External
22	360988	Roller Assembly - Print
23	364131	Shaft - Idler, Cut Blade
24	364126	Support - Blade, Front
25	364127	Support - Blade, Rear
26	364129	Bar - Support, Blade
27	702019	Switch - Momentary Push Button
28	702018	Guard - Switch
29	364124	Support - Roller, Front
30	364125	Support - Roller, Rear
31	280274	Shaft - Idler
32	700759	Switch - Snap Action
33	361923	Bracket - Switch

Lucht Inc. • 11201 Hampshire Ave. S., Bloomington, MN 55438-2454 • Phone (612) 829-5444 • Fax (612) 829-7544

**Figure 34** — Paper Cutter (with Optional Canisters)

Stepper Paper Mask

Item #	Part #	Description
-	368124	Stepper Paper Mask
2	368656	Stepping Motor Assy. - Stepper Mask
3	368557	Wire Harness - Stepper Paper Mask
4	371428	Mount - Mask, L.H.
5	706391	Pulley - Timing, .080 P., 24 T., .25 B., .25 Wide,
6	701491	Bearing - Ball, Flnged, .25 I.D., .50 O.D., .218 W
7	704457	Ring - Grip, .25 Dia. Shaft
8	706396	Belt - Timing, .080 P., 195 Teeth, 15.60 Pl.,.25W
9	368145	Shaft - Drive
10	368138	Angle - Support
11	368146	Mask - Cloth, L.H.
12	368126	Plate - Mounting, Clamp, Mask
13	371437	Plate - Mounting, Clamp, Mask, w/ Flag
14	371436	Blade Wldmt - Mask, Left
15	368130	Slide - Masking, Left
16	371430	Brace - Rear
17	369142	Cover - Pulley and Screw (2 Pc.)
18	371429	Brace - Front
19	371433	Shaft - Pulley
20	371434	Pulley - Timing, 24 tooth
21	706892	Belt - Timing, .080 P. ,260 Teeth, 20.8 Pl.,.25W
22	368323	Stiffener - Short
23	702633	Tape - Transfer, .50 Wide
24	368127	Clamp - Belt
25	371927	Strip - Anti-reflection
26	368322	Stiffener - Long
27	368321	Slide w/f - Mask, Right
28	706519	Anchor - Spring, 6-32 x .63l, .050 Hole
29	706400	Spring - Ext, .018WD, .180 O.D., 1.25FL, .7lb/in
30	706518	Spacer - Round, 6-32 I.D., .250 O.D., .125 L
31	368140	Plate Wldmt - Mask, Right
32	705303	Ring - Grip,.25
33	368131	Bracket Wldmt - Clamp, Belt, R.H.
34	706520	Bearing - Flanged, .191 I.D., .313 O.D., .25 W
35	371432	Tab - Sensor, Right
36	368320	Plate - Clamp, Belt, Right
37	706394	Belt - Timing, .080 P., 453 Teeth, 35.24 Pl.,.25W
38	368336	Mount - Clamp, Belt, R.H.
39	368144	Shaft - Blade, Mask
40	706516	Screw - SHL, SK, .187Dia. x .625 L, 8-32, Blk
41	371427	Mount - Mask, R.H.
42	368658	Sensor Assy. - Optical
43	371431	Mount - Sensor
44	706393	Collar - Clamp, 2 piece, .25I.D., 62 O.D., .281W
45	368690	Bracket - Pulley
46	368765	Sensor Assy. - Optical w/Bracket & Flag Guide
47	368725	Controller Assy. - Stepper Paper Mask
48	368678	Cover - Stepper
49	706399	PCB Assy. - Controller, TR-51
50	368777	Program - Prom, Stepper Mask
51	368607	Wire Harness - Controller, Stepper Mask
52	702652	Module - Translator, Type 230-1
53	368681	Bracket - Board, Elec.
54	368679	Bracket - Mounting, Right
55	368680	Plate - Base, Stepper
56	368651	Bracket - Mounting, LH
57	320219	Cable - Power Supply
58	369071	Cable Adapter - "Y" (Accudata Controlled w/ existing 24VDC Power Supply Only)
59	368657	Wire Harness - Serial Cable
60	360277	Power Supply Assy. (Accudata Controlled Only)

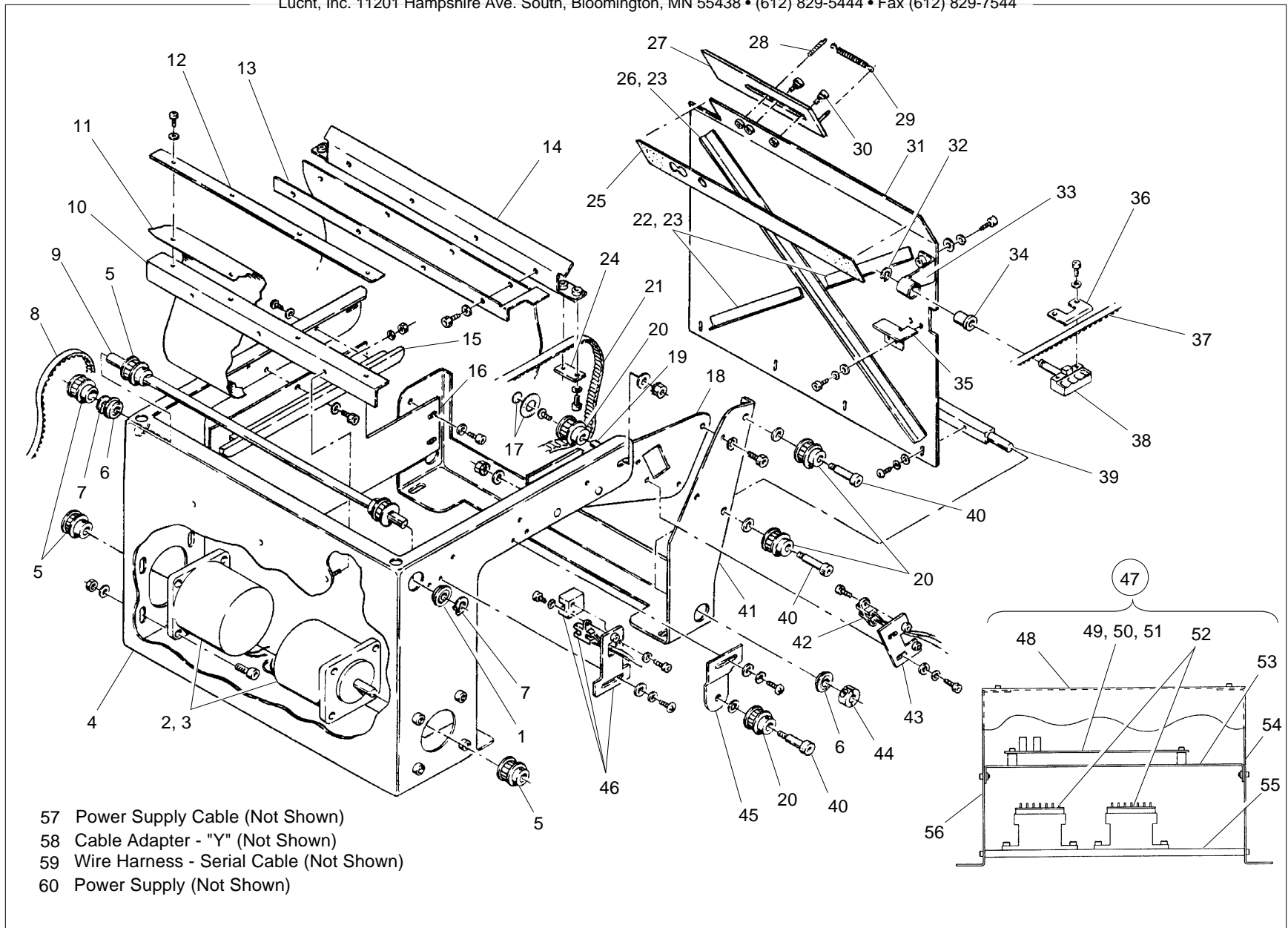


Figure 35 — Stepper Paper Mask

Lucht Paper Canister (Optional)

Item #	Part #	Description	Item #	Part #	Description
-	367350	Paper Canister Assembly	25	365933	Retainer - Clamp
2	367298	Flange Assembly - Paper Holding	26	365932	Clamp - Locator, Left
3	367297	Flange W/F - Disc, Paper Holding	27	365503	Cover Ass'y - Canister
4	367296	Clamp W/F - Retainer	28	365148	Cover - Canister
5	367295	Stop - Clamp Locator	29	702110	Bearing - .25 I.D. x .62 O.D. x .196 W.
6	367292	Clamp - Locator, Left	30	362857	Screw - Shoulder, Slotted
7	704403	Spring - Comp., .032 WD, .240 O.D.	31	365145	Spool - Bearing
8	367293	Clamp - Locator, Right	32	701491	Bearing - Ball, Flanged, .25 I.D.
9	367294	Guide - Disc, Flange	33	365234	End Plate - Right
10	704850	Spring - Comp., .032 WD, .300 O.D.	34	365505	Roller Assembly
11	367349	Core Assembly - Canister	35	365508	Access Cover Assembly
12	367344	Core - Canister	36	365233	Cover - Access
13	367345	Liner - Core	37	365415	Pad - Protective, Cover
14	365504	Latch - Cover, Canister	38	365254	Bar - Rear, Canister
15	369817	Bar - Retainer	39	700401	Tape - Foam, .25 x .50
16	365253	Bar - Front	40	365248	Block - Locator, Canister
17	365507	Stop - Light, Canister	41	704251	Spring - Compression, .24 O.D. x .375 L.
18	704858	Fastener - Velcro™, 1/2" Wide	42	365249	Retainer - Spring
19	702962	Tape - Transfer, 1" x .002 Thk.	43	700409	Ball - Nylon, .25 dia.
20	365079	Housing - Canister	44	365235	End Plate - Left
21	365920	Disk - Flange Assembly	45	365232	Latch - Access Cover
22	365918	Disk - Flange	46	704258	Spring - Compression, .180 O.D. x .25 L.
23	365942	Clamp - Locator, Right	47	702153	Screw - Shoulder, .12 x .18, 4-40
24	704403	Spring - Compression	48	365919	Block - Locator
			49	368661	Gasket - Canister

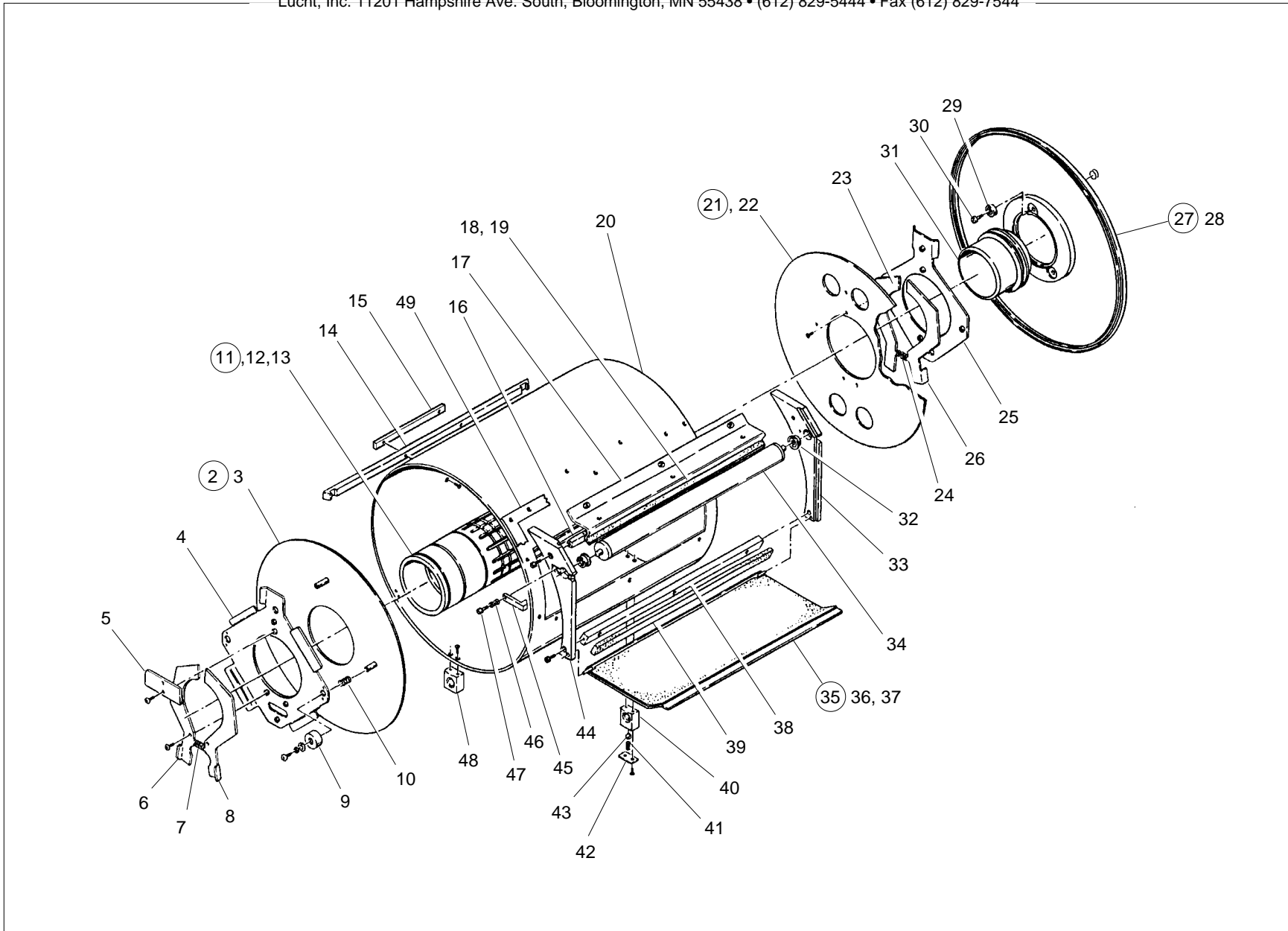


Figure 36 — Lucht Paper Canister (Optional)