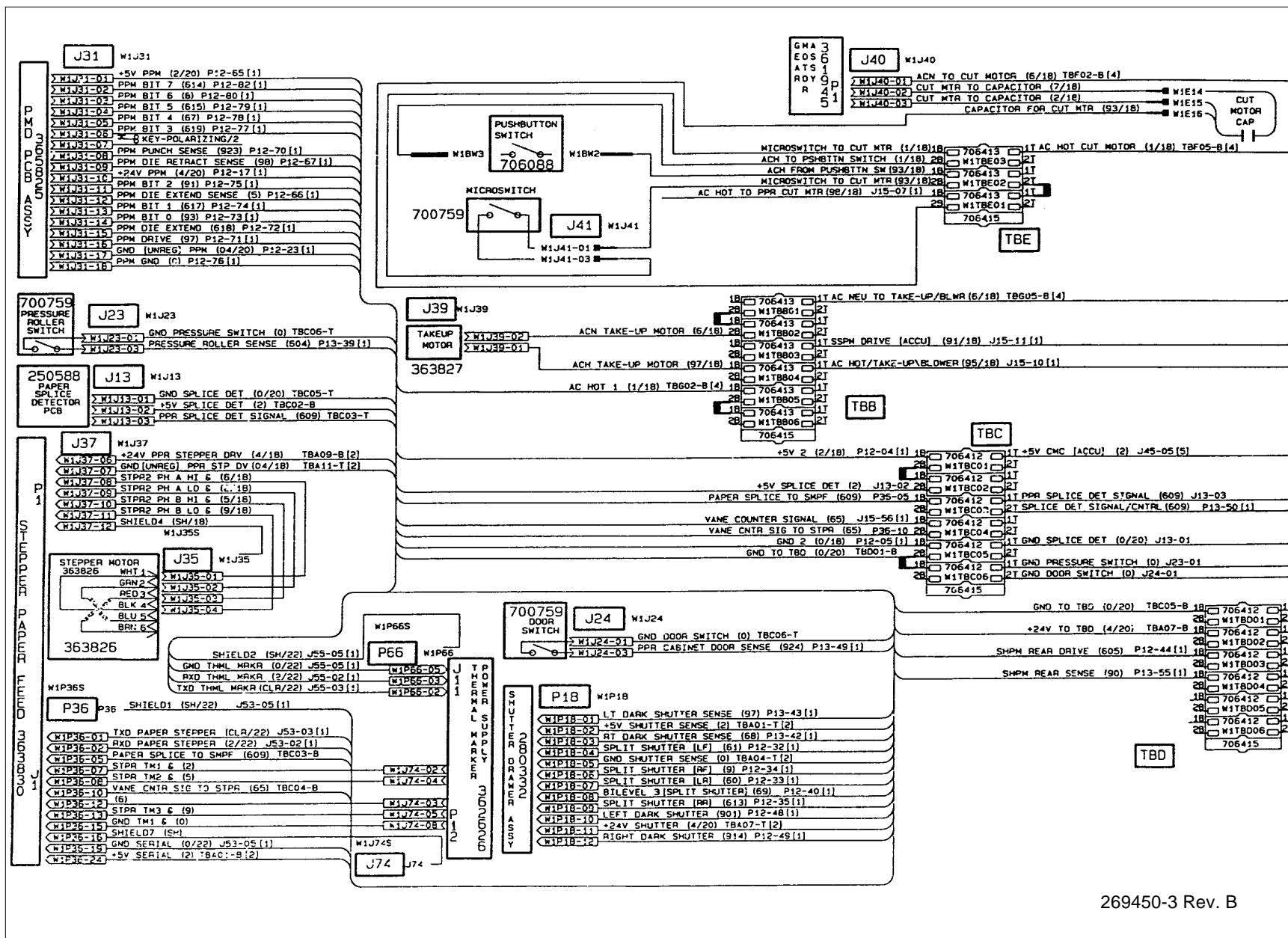


- NOTES:
1. WIRE IDENTIFICATIONS ARE TO BE READ AS FOLLOWS: SIGNAL NAME, (WIRE COLOR CODE/GAUGE (IF OTHER THAN 24)), DESTINATION, (PAGE NUMBER) IF DIFFERENT FROM THE ORIGIN.
 2. ASSOCIATED DOC: (W1) 369058, WIRE HARNESS-V7, UNIVERSAL, EXCELLERATOR.

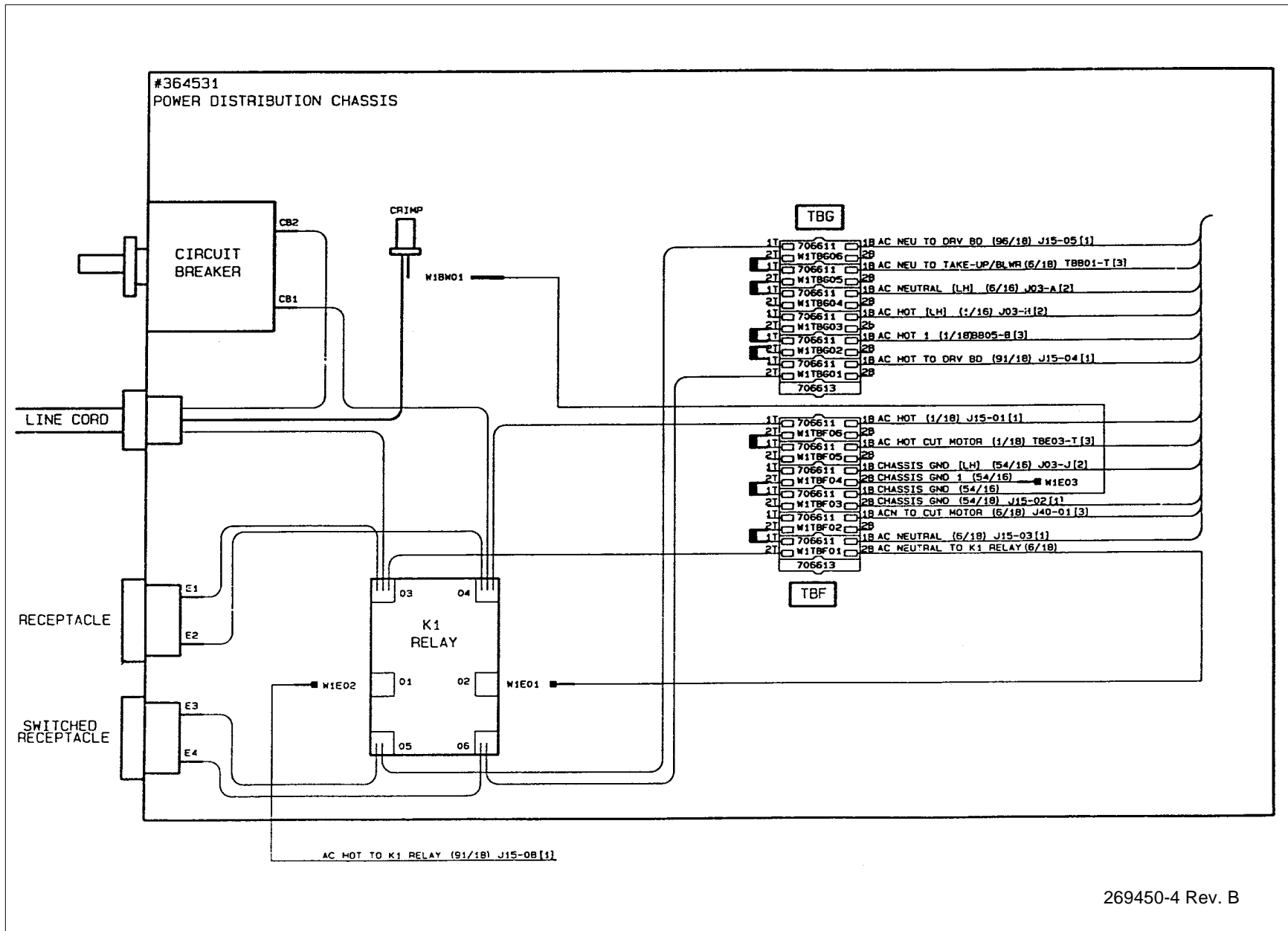
269450-1 Rev. B

Figure 17 — V-7 Machine Schematic 1 of 4



269450-3 Rev. B

Figure 19 — V-7 Machine Schematic 3 of 4



269450-4 Rev. B

Figure 20 — V-7 Machine Schematic 4 of 4