

Section 9 — Parts List

Item numbers contained in circles indicate complete assemblies. Item numbers not contained in circles indicate individual parts.

Order parts by Lucht part number, description and quantity desired — not by item number. Individual parts that are part of a larger assembly are indented and listed under the assembly description. If the assembly number is ordered, all the parts indented under that number will be included in the order.

This parts list is subject to change without notice.

Refer to the following figures:

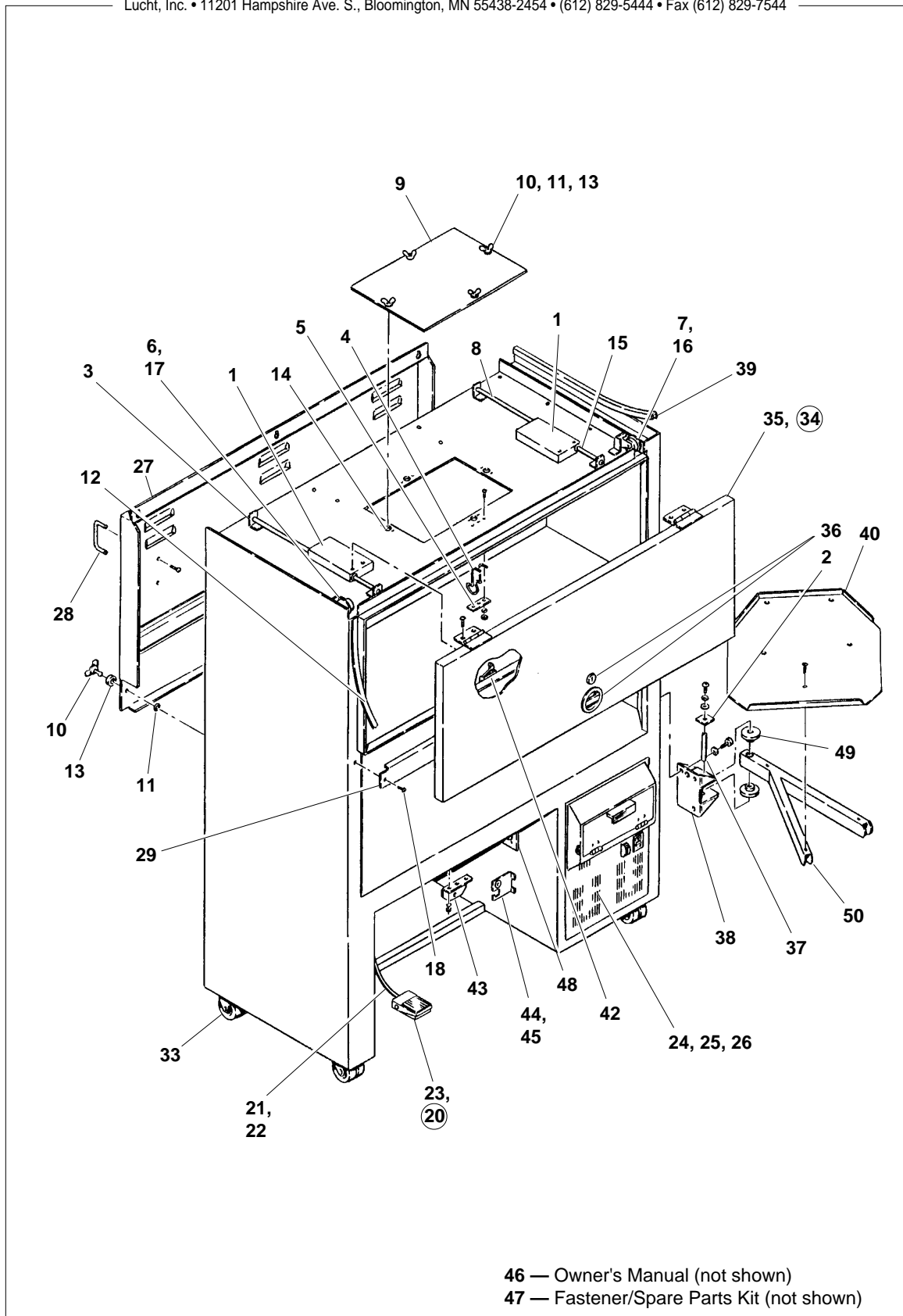
Figure 20 — Main Frame and Covers	59
Figure 21 — Shutter Drawer Assembly	61
Figure 22 — Rotary Table Assembly	63
Figure 23 — Negative Hold-down Components	67
Figure 24 — Basic Negative Film Cleaner	69
Figure 25 — Riser Block Assembly	71
Figure 26 — Paper Rollers	73
Figure 27 — Paper Protector Assembly	77
Figure 28 — Back Panel Components	81
Figure 29 — Paper Rollers (With Optional Canisters)	83
Figure 30 — Lens Receptor Area	87
Figure 31 — Lucht Paper Canister (Optional)	89

Main Frame and Covers

Item #	Part #	Description
1	130207	Door Glide
2	365512	Retainer - Support Pin
3	160188	Shaft Mount - Glide
4	365230	Latch - Platen
5	365122	Plate - Retaining
6	270155	Bracket - Roller, Left
7	270156	Bracket - Roller, Right
8	280475	Shaft - Glide
9	290101	Cover Ass'y - Access Opening
10	210260	Fastener - 1/4 Turn, Slotted
11	700218	Retainer - Split Ring
12	361351	Tape - Foam .250 thk. x .500 x 5.00 ft.
13	700986	Washer - Wear
14	700204	Receptacle - Leaf Spring
15	700803	Bearing - Snap-in, .375 I.D.
16	701311	Roller - Drawer, Right
17	701312	Roller - Drawer, Left
18	700081	Screw - BHC, 8-32 x .38
20	360228	Foot Switch Ass'y
21	702647	Terminal - Spade, Tng
22	700286	Cable - Shielded, 2-Conductor
23	701165	Foot Switch - SPDT
24	*	Controller
25	130212	Slide - Controller Drawer
26	130211	Guide - Controller Drawer Slide
27	364237	Cover - Back
28	700161	Handle - Back Cover
29	280295	Trim Strip - Shutter Drawer
33	700293	Caster - Tandem Wheels
34	372316	Door Ass'y - Paper Cabinet
35	372625	Door - Paper Cabinet
36	703302	Handle - Paper Cabinet w/Key
37	355479	Pin - Hinge
38	362211	Bracket Weldment - Mounting
39	320143	Trim Strip - Top Panel
40	365478	Keyboard/Monitor Support Ass'y
42	372320	Switch - Snap Action
43	250166	Plate - Latch
44	210234	Latch - Catch
45	110587	Bushing - Catch Latch
46	240122	Owner's Manual - Twin Drive (not shown)
47	200130	Fastener/Spare Parts Kit (not shown)
48	700041	Connector - Lamphouse
49	365489	Bearing - Hinge
50	368535	Frame Weldment - Tray
—	200134	Keeper - Lens Drawer, Modulatch (not shown)
—	702016	Spring - Keeper .480 O.D. x .75 (not shown)
—	700804	Bearing - Lens Drawer Support (not shown)

* Refer to the controller instruction manual supplied with your printer

Lucht, Inc. • 11201 Hampshire Ave. S., Bloomington, MN 55438-2454 • (612) 829-5444 • Fax (612) 829-7544



- 46 — Owner's Manual (not shown)
- 47 — Fastener/Spare Parts Kit (not shown)

Figure 20 — Main Frame & Covers

Shutter Drawer Assembly

<i>Item #</i>	<i>Part #</i>	<i>Description</i>
1	371793	Housing Ass'y - Shutter
2	368746	Blade - Split Shutter, Rear
3	371589	Panel - Slide Drawer, Shutter, LH
4	701230	Standoff - SLFCLG, 6-32 x .50
5	368745	Rail - Slide, Shutter
6	371588	Panel - Slide Drawer, Shutter, RH
7	706263	Fitting - Elbow, Male, Swivel, 90°
8	700433	Magnet - Ceramic, .50 x 1.00 x .38
9	702633	Tape - Transfer, .50W, A-10 150 Tac
10	702559	Tubing - Heat Shrink, .750 I.D.
11	707137	Air Cylinder - .75 Bore x 10.50 Stk., Dbl. Acting
12	369125	PCB Ass'y - SHE, 5 VDC
13	374259	Bracket W/F - PCB, Shutter Drawer
14	700009	Bracket - Clevis w/Pin
15	706508	Fitting - Connector, Male, .125 NPT x .250 O.D.
16	701696	Screw - SHL, SK, .25 D x .62 L, 10-24 x .38
17	701898	Plug - Pipe, Slotted, 1/8 NPT, Brass
18	706508	Fitting - Connector, Male, .125 NPT x .250 O.D.
19	701374	Fitting - Elbow, .25 O.D. x 10-32, w/2 Gasket
20	700885	Fitting - Tube, 10-32 x .25 O.D., Barbed
21	706506	Fitting - Tee, Branch, 360° Swivel, Femal, .250 O.D.
22	700295	Clamp - Cable, .375 Dia. Cable, Nylon
23	368752	Collar - Cylinder, Shutter
24	706517	Air Cylinder - Rotary, 180°, 2.8 Torque, DBL. Acting
25	368749	Bracket - Cylinder, Shutter Drawer
26	368764	Blade - Shutter, Front
27	371242	Mount - Stop, In
28	362083	Washer - Retaining, .267 I.D., .875 O.D., .038 Thk.
29	371241	Stop Ass'y - Shutter
30	371243	Mount - Stop, Out
31	371587	Panel W/F - Drawer, Shutter, TDP
32	706891	Tubing - PEU, .16 I.D. x .25 O.D.
33	701375	Coupler - Socket
34	700404	Grommet - Rubber, .375 I.D.
35	361077	Bracket - Connector
36	369124	Harness - Housing, Shutter
37	369133	Valve Ass'y - Sol, 2 Way, 24 VDC (Dark Shutters)
38	369133	Valve Ass'y - Sol, 4 Way, 24 VDC (Quad Shutters)
39	371552	Valve - Solenoid, 24V, 1-100 PSI, 3 O'clock
40	371553	Valve - Solenoid, 24V, 1-100 PSI, 9 O'clock

Lucht, Inc. • 11201 Hampshire Ave. S., Bloomington, MN 55438-2454 • (612) 829-5444 • Fax (612) 829-7544

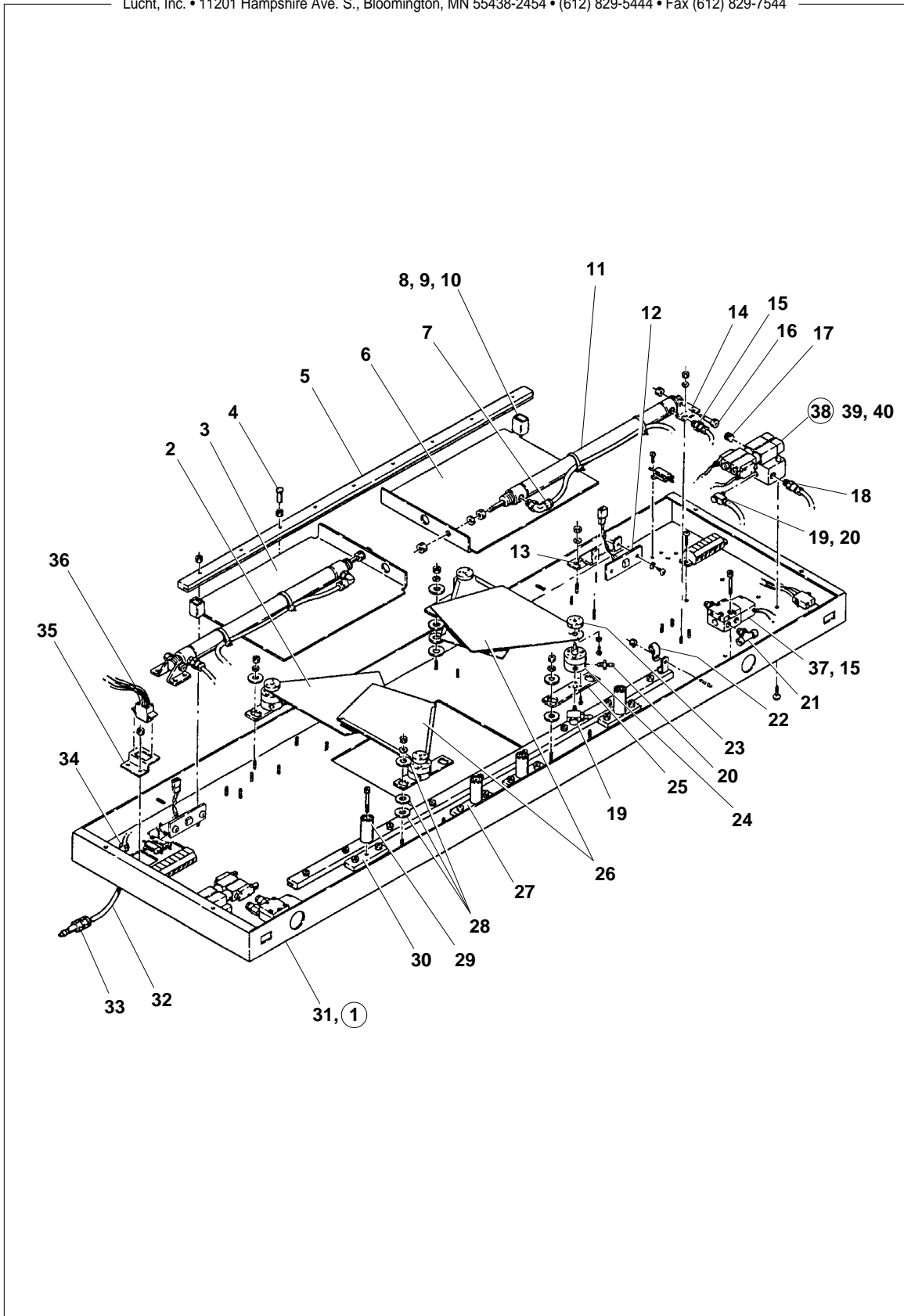


Figure 21 — Shutter Drawer Assembly

Rotary Table Assembly

Item #	Part #	Description
1	290295	Turntable Air Cylinder Ass'y
2	220431	Mount - Air Cylinder
3	250421	Plate - Air Cylinder Mount
4	360276	Air Cylinder - .75 Bore x 8.0 Stroke
5	700382	Washer - Lock, Int., #8
6	700598	Washer - Lock, Int., 1/4"
7	700710	Nut - Hex, 1/4"-28
8	700339	Screw - SHCS, 8-32 x .50
9	700885	Fitting - 1/4" Barbed
10	701362	Reducer - 1/8 NPT Male to 10-32 Female
11	700369	Screw - SHS, 1/4"-20 x .25
12	270270	Rotary Table Ass'y
13	110578	Base - Table
14	110593	Bracket - Cropping, Cylinder Mount
15	120417	Clevis - Pivot
17	270269	Ring - Retaining, Bearing
18	270276	Top Ass'y - Rotary Table
19	280291	Standoff - Adjustment
20	280511	Stop - Rotary Table
21	280513	Screw - Adjustment
22	280599	Seal - Bearing
23	290270	Pivot Arm Ass'y - Turntable, w/Bearing
24	360027	Mounting Bracket - PCB
25	250590	PCB Assembly - T.H.E.
26	361603	Actuator - Cropping
27	700095	Screw - SHC, 10-24 x .75
28	700442	Plug - Hole
31	700386	Washer - Lock, Int., #10
32	700830	Fitting - Barbed, 10-32 to .078 I.D.
33	701231	Nut - Hex, 10-24
34	701490	Bearing - Ball
35	701664	Ball - .125 dia., Nylon
36	701666	Bearing - Rod End
37	701667	Cylinder - Air w/Pin,.437 Bore x .50 Stroke
38	701668	Shock Absorber - Adjustable
39	701673	Screw - CPSS, 8-32 x .25
40	701696	Screw - SHS, .25 x .625
41	701721	Screw - FHSC, 10-24 x .50
42	702509	Screw - SHS, 1/4"-20 x .50
43	702600	Screw - SHC, 1/4"-20 x 2.00
44	700594	Nut - Hex, 1/4" -20
45	700144	Washer - Flat, 1/4"
46	700605	Washer - Flat, #6 SAE
47	150190	Tray Ass'y - Filter
48	700834	Nut - Hex, Jam 1/2" -20 (Not Shown)
49	700339	Screw - SHC, 8-32 x .50"
50	280614	Shim - .257 I.D. x .500" O.D. x .005" Thk.

(continued)

Lucht, Inc. • 11201 Hampshire Ave. S., Bloomington, MN 55438-2454 • (612) 829-5444 • Fax (612) 829-7544

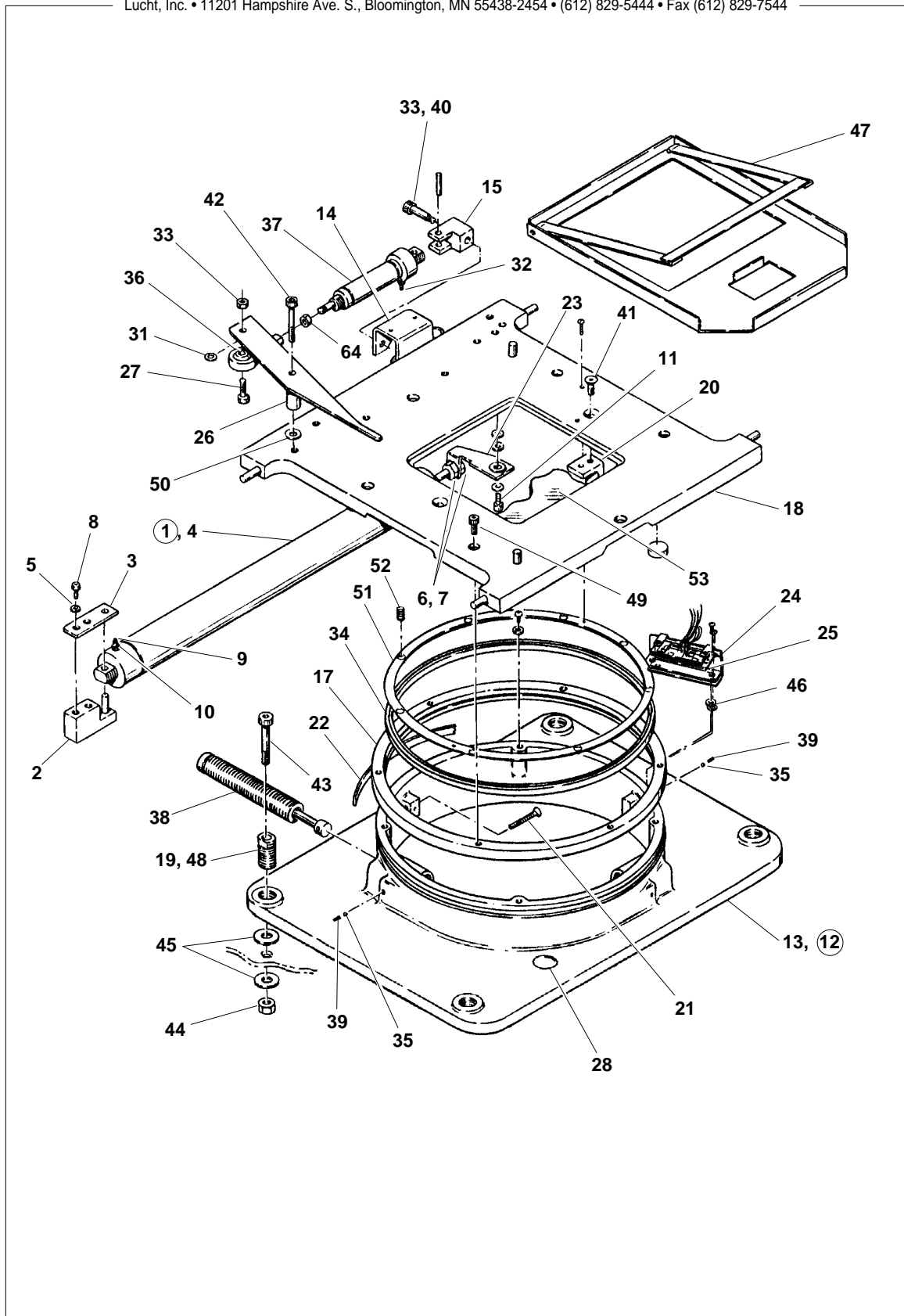


Figure 22 — Rotary Table Assembly

Rotary Table Assembly (cont'd)

Item #	Part #	Description
51	368300	Ring - Stabilizing
52	706376	Spring - Compression, .032WD x .180 O.D.
53	130155	Diffuser (Standard) - 1/8" Thk.
53	130222	Diffuser (Optional) - 1/16" Thk.
53	130193	Diffuser (Optional) - Small, Curved
53	130247	Diffuser (Optional) - Medium., Curved
53	130248	Diffuser (Optional) - Large, Curved
—	*	Riser Block Ass'y (not shown)

Negative Hold-down Components

<i>Item #</i>	<i>Part #</i>	<i>Description</i>
1	365070	Knob - Cylinder Adjustment
2	700830	Fitting - Barbed
3	120417	Clevis - Pivot
4	361628	Cylinder - Air
5	700132	Nut - Nex, 10-32
6	700343	Screw - SHC, 10-32 x .5
7	701666	Bearing - Rod End, Female
8	230146	Hold-down Arm - Negative
9	280596	Stud - Ball
10	701741	Screw - SHC, 10-24 x 1.00
11	706547	Shim - .257 I.D. x .500 O.D. x .005 thk.
12	700132	Nut - Nex, 10-32
13	701665	Bearing - Rod End, Male
14	700601	Washer - Lock, Int. #10
15	700343	Screw - SHC, 10-24 x .5
16	110594	Bracket - Cylinder Mounting
17	365072	Bolt - Cylinder Adjustment
18	110599	Mounting Bracket - PC Board
19	701101	Washer - Nylon, Flat #6
20	250532	PCB Ass'y - THE
21	700331	Screw - BHC, 6-32 x .25
—	290286	Flat Cable - Table Reverse, w/Connector (not shown)

Basic Negative Cleaner

<i>Item #</i>	<i>Part #</i>	<i>Description</i>
-	363370	Negative Cleaner Retrofit Kit
1	701374	Fitting - elbow, with gasket, 10-32
2	700830	Fitting - barbed, 10-32 x 1/8 O.D. tube
3	700547	Screw - PPH, 6-32 x 1/2
4	700879	Tube - .175 O.D. x .078 I.D.
5	702088	Fitting - tee, barbed
6	703131	Fitting - barbed, 10-32
7	363352	Block - negative cleaner, right
8	363349	Retainer - negative cleaner block
9	700135	Washer - lock, #4 int.
10	702827	Screw - PPH, 4-40 x .188
11	363358	Tray - negative cleaner
12	703133	Coupling Set - barbed (included with item #8)
13	702317	Tube - .125 O.D. x .031 wall thickness
14	363351	Block - negative cleaner, left
15	363357	Retainer - tube
16	700100	Setscrew - 4-40 x 1/4
17	363421	Bracket - flow control valve
18	703132	Fitting - elbow, barbed, 10-32
19	700863	Flow Control - air
20	701161	Nut - hex, 6-32
21	701271	Washer - lock, #6 ext.
22	701415	Screw - PPH, 6-32 x 7/8
23	701515	Fitting - "X", barbed, 10-32, with washer
24	702304	Fitting - nipple, 10-32 hex
25	700600	Washer - lock, #6 int.
26	702020	Washer - flat, #4

Lucht, Inc. • 11201 Hampshire Ave. S., Bloomington, MN 55438-2454 • (612) 829-5444 • Fax (612) 829-7544

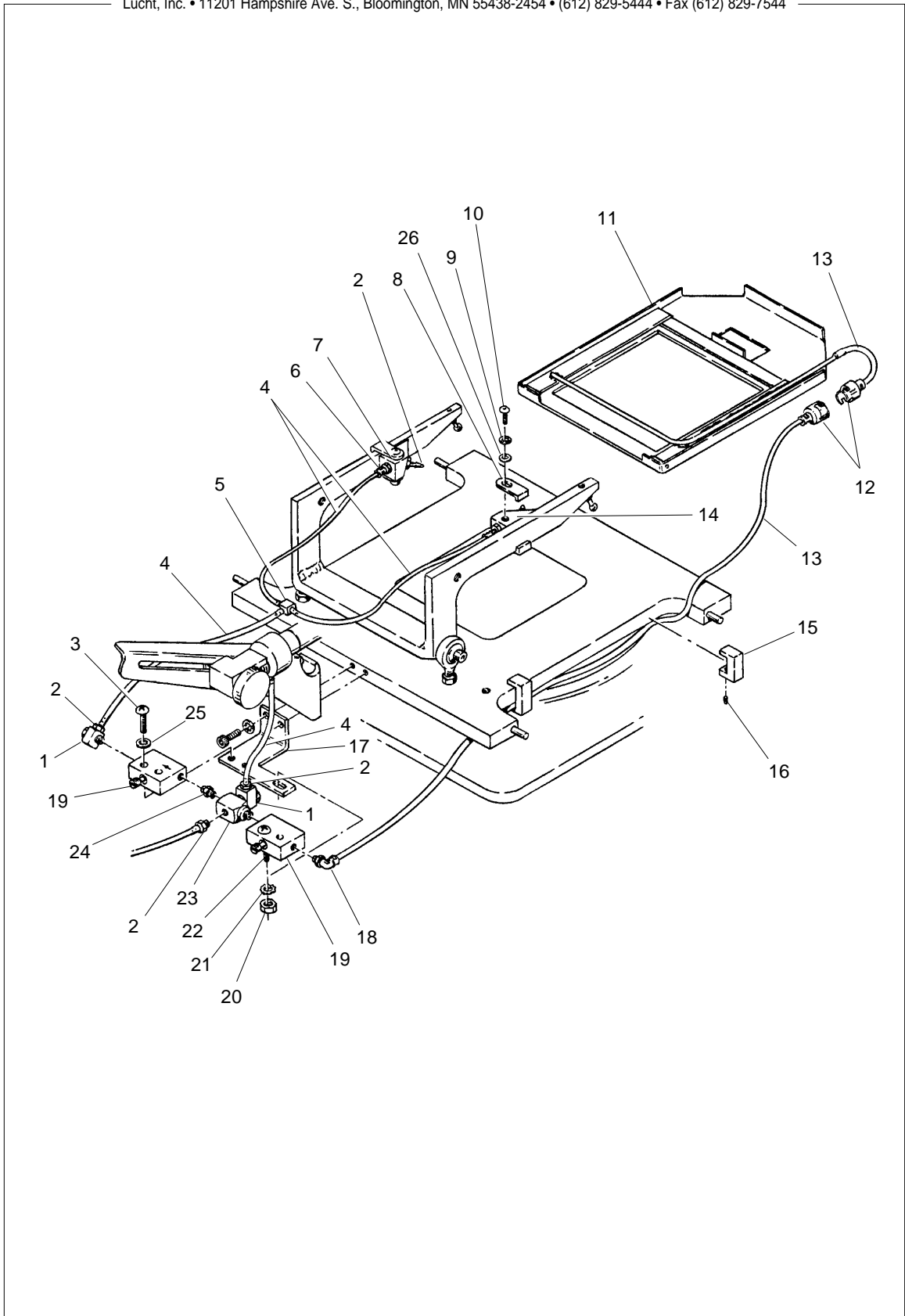


Figure 24 — Basic Negative Cleaner

Riser Block Assembly

<i>Item #</i>	<i>Part #</i>	<i>Description</i>
1	*	Riser Block Ass'y - Negative
2	*	Base Block - Riser
3	250570	Pin - Negative Mask, Long, Split 70mm only
3	250190	Pin - Negative Mask
4	700679	Bushing - Bronze
5	361434	Pivot Arm Ass'y - 46mm, Split 70mm Bordered and Borderless
5	361437	Pivot Arm Ass'y - Ideal
5	361438	Pivot Arm Ass'y - 70mm
6	702184	Spring - Extension
7	700433	Magnet - Ceramic, Split 70mm only
8	290260	Blade - Cropping Actuator
8	290261	Blade - Cropping Actuator, Split 70mm only
9	700331	Screw - BHC, 6-32 x .25
10	*	Plate - Aperture
11	*	Hold-down Plate Ass'y - Negative
12	*	Plate - Negative Hold-down
13	701726	Nut - Nylock 4-40
14	701701	Catch - Nylon
15	100219	Trip Arm/Pin Ass'y - Split 70mm only
16	250408	Pivot Arm Ass'y - Split 70mm Tee
17	110262	Blade - Cropping
18	700262	Plunger - Ball, 10-32 x .516
19	700880	Tape - Transfer, 1" wide Roll
20	700974	Setscrew - 8-32 x .25
21	701195	Pin - Dowel, .12 dia. x .5
22	701635	Spring - Extension, Split 70mm only

* Contact Lucht Engineering for assistance when ordering this item.

Lucht, Inc. • 11201 Hampshire Ave. S., Bloomington, MN 55438-2454 • (612) 829-5444 • Fax (612) 829-7544

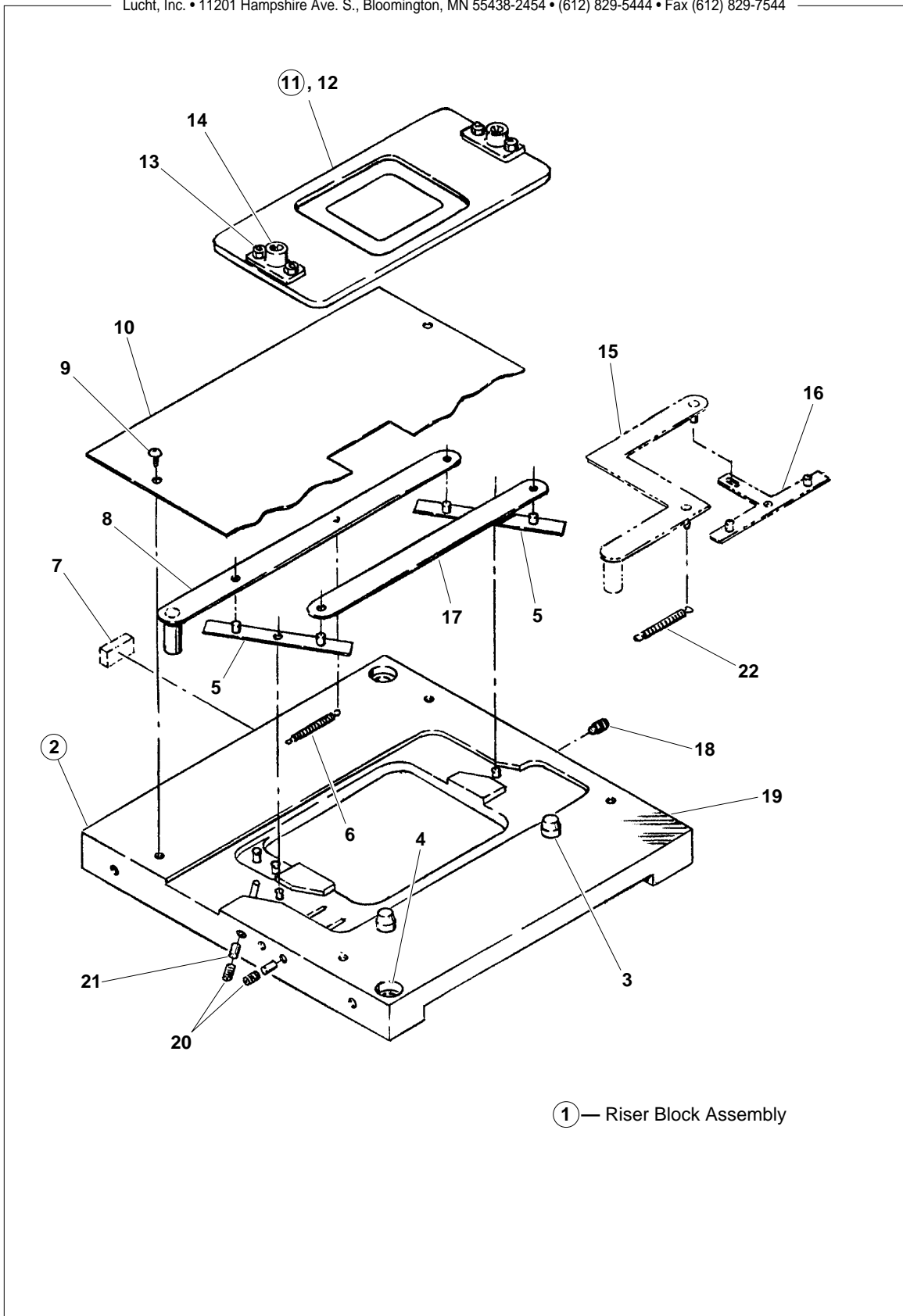


Figure 25 — Riser Block Assembly

Paper Rollers

Item #	Part #	Description
1	250623	Splice Detector Ass'y - Paper
2	110539	Clamp - Board
3	100237	Arm - Adjustment
4	250588	PCB Ass'y - PSD
5	250619	Mount - PCB, PSD
6	290274	Thumbscrew Ass'y
7	701077	Connector - Card Edge
8	703303	Spring - Extension
9	363829	Arm - Lever
10	110241	Holder Ass'y - Bearing
11	110376	Arm Ass'y - Buffer
12	110228	Buffer - Arm
13	270143	Roller Assembly
14	280264	Shaft - Pivot
15	280265	Shaft - Buffer Roll
16	700570	Screw - KCPS, 1/4" -28 x .3125
17	700707	Ring - Retaining, Ext.
18	280270	Stop - Arm
19	704387	Bumper - Grommet
20	367570	Flange - Roller
21	150189	Paper Guide Flange - Roller, Split
22	369471	Pulley Assembly - Timing
23	706753	Clutch - Slipper, Open Plate, Adjustable
24	705303	Ring - Retaining, Ext., .187 Dia. Shaft
25	701192	Pin - Spring, .25 x 1.50
26	280509	Shim - .657 I.D., 1.14 O.D. x .0239 Thk.
27	280345	Standoff - Bearing Hub
28	363931	Mount - Bearing, QCS2
29	700802	Bearing - Ball, Radial, .625 I.D., 1.375 O.D. x .343 W
30	369474	Shaft - Take-up
31	365638	Mount - Shock
32	707007	Shock Absorber - Self
33	371517	Collar - Stop, Shock
34	701539	Screw - Cap, Sk, 6-32 x 1.25
35	700082	Screw - BHC, 1/4" -20 x .75
36	270145	Flange- Roller, Core Gripper
37	700350	Setscrew, 1/4" -20 x .375
38	702990	Setscrew, Nylon Insert, 8-32 x .25
39	363301	Knob - Core Gripper
40	363302	Adaptor - Threaded, Core Gripper
41	363304	Tube Ass'y - Expansion, Core Gripper
42	363300	Support - Tapered, Core Gripper
43	363826	Motor - Stepper
44	363813	Bracket - Stepper Drive Motor
45	703192	Belt - Timing Drive
46	364534	Pulley - 12-Tooth
47	363812	Shaft - Drive Roller

(continued)

Lucht, Inc. • 11201 Hampshire Ave. S., Bloomington, MN 55438-2454 • (612) 829-5444 • Fax (612) 829-7544

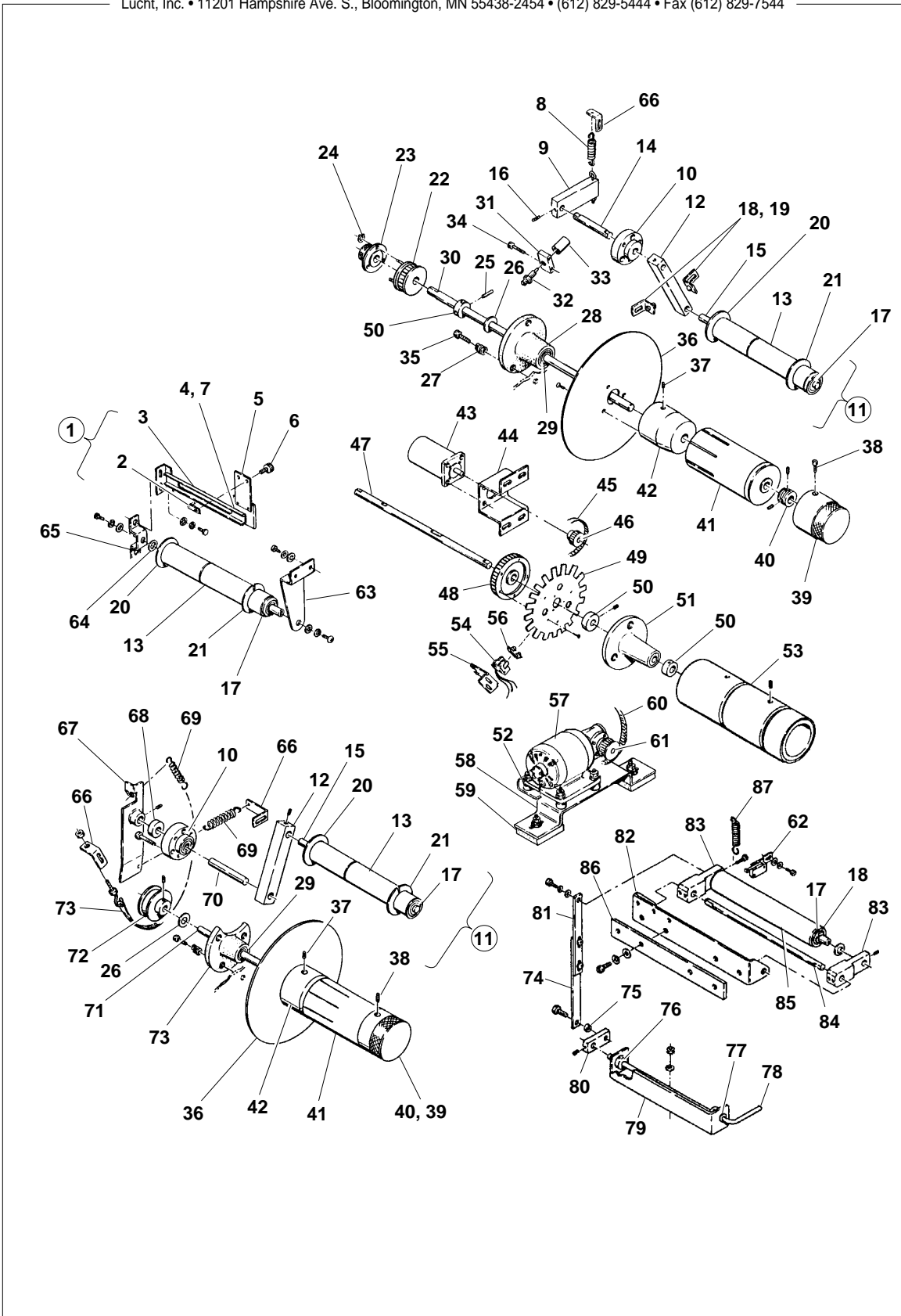


Figure 26 — Paper Rollers (Without Canisters)

Paper Rollers (cont'd)

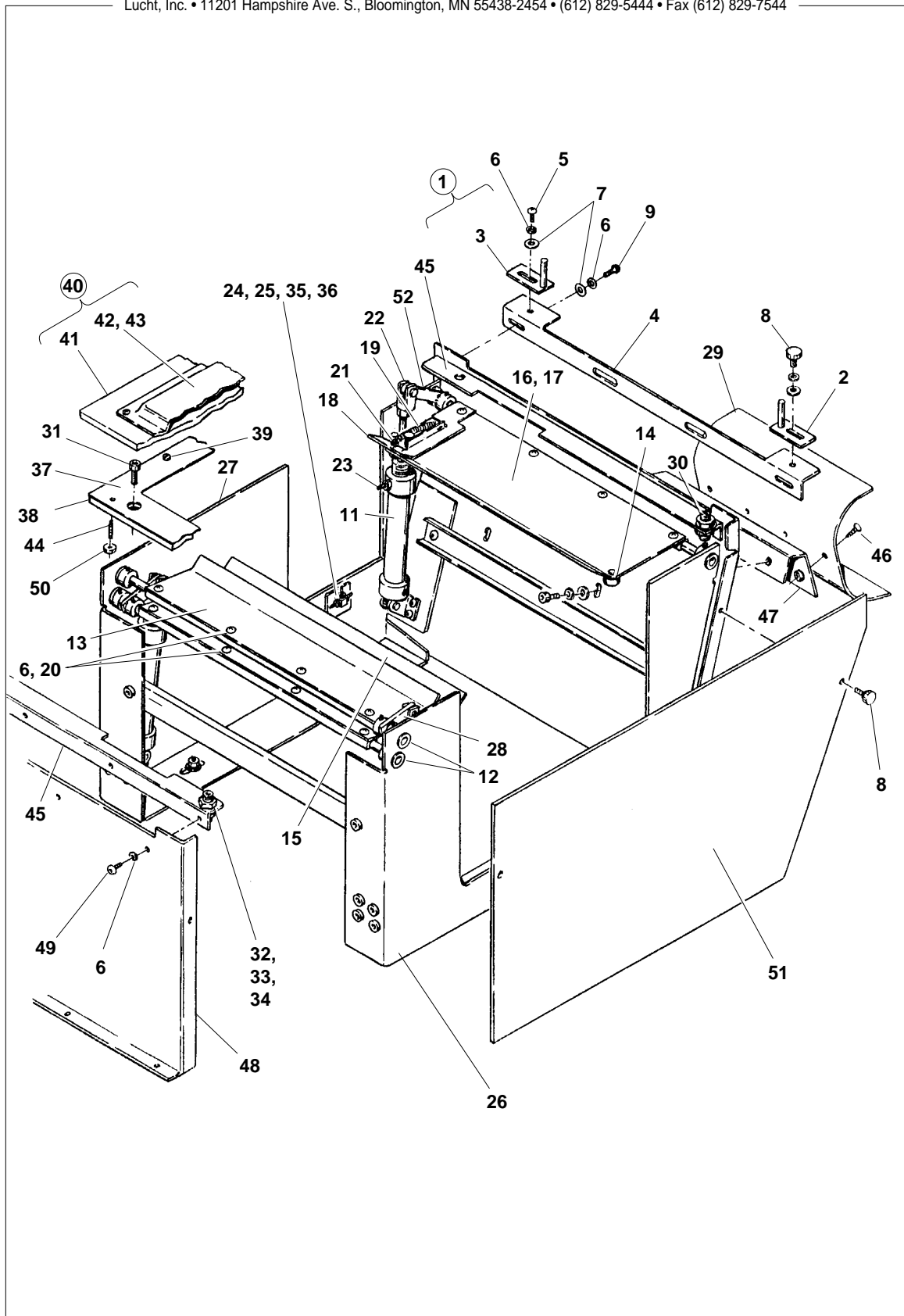
Item #	Part #	Description
48	363814	Pulley - 72-Tooth
49	310102	Vane - Counter Disk
50	700037	Collar - .625 I.D.
51	110349	Bearing Mount - Drive Shaft
52	703191	Mount - Vibration
53	371230	Drive Roller Assembly - Long
54	700481	Switch - Vane
55	363828	Bracket - Vane Switch
56	120205	Retainer Plate - Vane Switch
57	372861	Motor Ass'y - Take-up
58	363815	Bracket - Take-up
59	363824	Pad - Take-up Motor
60	702654	Belt - Timing
61	700719	Pulley - 20-Tooth
62	700759	Switch - Snap Action
63	110237	Bracket - Idler Shaft
64	701782	Spacer - .257 I.D. x .562 O.D. x .05
65	110238	Bracket - Idler Mount
66	363818	Bracket - Spring
67	363822	Arm - Brake
68	363816	Spacer - .750 O.D. x .058 Wall
69	703303	Spring - Extension
70	363817	Shaft - Supply Bail
71	280269	Shaft - Supply
72	250153	Pulley - Brake
73	110244	Belt - Brake Ass'y
74	210112	Link - Adjusting, Lower
75	280302	Spacer - Pressure Roller Bolt
76	700298	Collar - .375 I.D.
77	700803	Bearing - Snap-in, .375 I.D.
78	170125	Handle - Pressure Roll
79	110236	Bracket - Pressure Release
80	120182	Arm - Crank
81	210113	Link - Adjusting
82	367771	Bracket - Pressure Roller
83	364328	Arm Ass'y - Pressure Roller
84	280272	Shaft - Pressure Roller
85	360988	Roller Ass'y - Print
86	367311	Stiffener - Pressure Roller
87	701672	Spring - Extension, 2-1/4" long

Paper Protector Assembly

Item #	Part #	Description
1	100190	Paper Guide Ass'y - Adjustable
2	100189	Adjustable Paper Guide - Front
3	100191	Adjustable Paper Guide - Rear
4	250286	Guide Bar - Paper
5	700079	Screw - BHSC, 6-32 x .375
6	700600	Washer - Lock, Int., #6
7	700605	Washer - Flat, #6, SAE
8	362914	Thumbscrew Ass'y
9	700323	Screw - PPH, 6-32 x .375
10	250325	Paper Protector Ass'y
11	100256	Air Cylinder Ass'y
12	110430	Bearing - Sleeve
13	110424	Mask Blade Ass'y - 11x14
14	700713	Bumper - Rubber, Button Type
15	110425	Mask Blade - 8x10
16	110423	Mask Blade - Right, 11x14, Standard
17	360480	Mask Blade - Right, 11x14 w/PPM
18	360479	Flap - Hinged
19	702136	Spring - Extension
20	701227	Screw - PPH, 6-32 x .25
21	701757	Bumper - Rubber, Recess Screw Type
22	700829	Clevis - Rod, w/Pin, Retainer, Locknut
23	700830	Fitting - Barbed, 1/8 O.D. Hose
24	361356	Tubing - Air, .156 O.D.
25	702088	Fitting - Tee, 10-32 UNF to .078 I.D.
26	250446	Enclosure W/F - Paper
27	250447	Enclosure W/F - Paper, Back
28	700389	Arm - Blade, 11 x 14
29	731549	Guide - Paper, Lower
30	280371	Standoff - Paper Mask
31	700700	Screw - SHC, 6-32 x .38
32	701232	Nut - Hex, Jam, 1/4" -28
33	700710	Nut - Hex, 1/4" -28
34	320193	Washer - Chordal
35	700716	Mount - Adhesive Backed
36	700517	Tie - Cable, 4-inch
37	220371	Mask - Std., 11x14 Borderless
37	220372	Mask - Std., 11x14 Bordered
37	220373	Mask - Std., 8x10 Borderless
37	220374	Mask - Std., 8x10 Bordered
37	361241	Mask - SSPM, 11x14 Borderless
37	361242	Mask - SSPM, 11x14 Bordered
37	361243	Mask - SSPM, 10x13 Borderless
37	361244	Mask - SSPM, 10x13 Bordered
37	360350	Mask - PPM, 11x14 Borderless
38	361247	Mask Support Ass'y - SSPM (Std.)
38	360323	Mask Support Ass'y - PPM

(continued)

Lucht, Inc. • 11201 Hampshire Ave. S., Bloomington, MN 55438-2454 • (612) 829-5444 • Fax (612) 829-7544

**Figure 27** — Paper Protector Assembly

Paper Protector Assembly (cont'd)

Item #	Part #	Description
39	701199	Screw - SPHS, 2-56 x .25
40	373024	Vacuum Platen Ass'y
41	372872	Vacuum Platen
42	360356	Plenum Ass'y
43	170129	Hose - Vacuum
44	700696	Setscrew - Nylon
45	364145	Bracket W/F -Support
46	702526	Screw - 4-40 x .5 UCP FH
47	371548	Mount - Paper Guide, Lower
48	290176	Side W/F - Tower, Left
49	700331	Screw - Cap, SKBHC, 6-32 x .25
50	706536	Nut - Kep, 8-32
51	369882	Cover Ass'y - Access
52	100196	Arm - Blade, 8 x 10

Back Panel Components

<i>Item #</i>	<i>Part #</i>	<i>Description</i>
1	250324	Pad - Motor Mount, Blower
2	360001	Motor Ass'y - Blower
3	100051	Plate Ass'y - Adapter
4	220231	Mount - Motor, Blower
5	700269	Blower - 140 cfm
6	701174	Label - Danger, High Voltage
7	704993	Grommet - Rubber, 2.125" Round
8	363830	Module - Paper Advance (Excellerator Only)
9	372566	Filter - Regulator, Integral
10	700206	Filter - Regulator, Integral
11	701008	Gauge - Pressure, 0-60 PSI, 1.5 Dia.
12	700616	Fitting - Tee, Male, .25 O.D. x 1/4" NPT
13	700703	Fitting - Elbow, Male, .25 O.D. x 1/4" NPT
14	700505	Bracket - Mounting, Filter & Gauge
15	702151	Valve - Solenoid, 24 VDC
16	702508	Screw - Special, Metering, 10-32
17	700885	Fitting - Tube, 10-32 x .25 O.D. Barbed
18	700830	Fitting - Pipe, 10-32 x .078 I.D., Plastic, Barbed
19	704994	Grommet - Rubber, 1.00" Round
20	700404	Grommet - Rubber, .375" Round
21	369044	Wire Harness - VP-2, Universal, Exc.
22	372876	Valve Ass'y - 7 Station (On Some Models)
22	372877	Valve Ass'y - 12 Station (On Some Models)
23	707451	Valve - Air, Solenoid, 24 VDC, 1/8" NPT
24	706508	Fitting - Connector, Male, .125 NPT x .250 O.D.
25	706263	Fitting - El, Male, Swivel, 90° .25 O.D. x 1/8 N.P.T.
26	707452	Muffler - Sintered™, 1/4 NPT, 1.375 L., Bronze
27	702504	Valve - Solenoid, 24 VDC, 3 Way, 5 Watt
28	702505	Module - Manifold
29	702167	Fitting - Tube, 1/8" NPT x .25 O.D., Barbed
30	364531	Power Distribution Chassis Ass'y
31	700207	Relay - Power, DPDT
32	700643	Receptacle - 2-Pole
33	702678	Cord - Power, 20 Amp
34	702684	Bushing - Strain Relief
35	702656	Circuit Breaker - 15 Amp, 120 VAC
36	700310	Coupler - Air, Male Plug, 1/4" NPT
37	700399	Fitting - Tube, Female, 1/4" x 1/4" NPT
38	371871	PCB Ass'y - Interconnect, Lens Drive
39	368946	Bracket - Mounting, Interconnect PCB
40	706413	Terminal Block - Blue
41	706415	Terminal Block - End Plate, w/Flange, Gray
42	706412	Terminal Block - Gray
—	361769	Pressure Regulator Ass'y - Hold-down (not shown)

Lucht, Inc. • 11201 Hampshire Ave. S., Bloomington, MN 55438-2454 • (612) 829-5444 • Fax (612) 829-7544

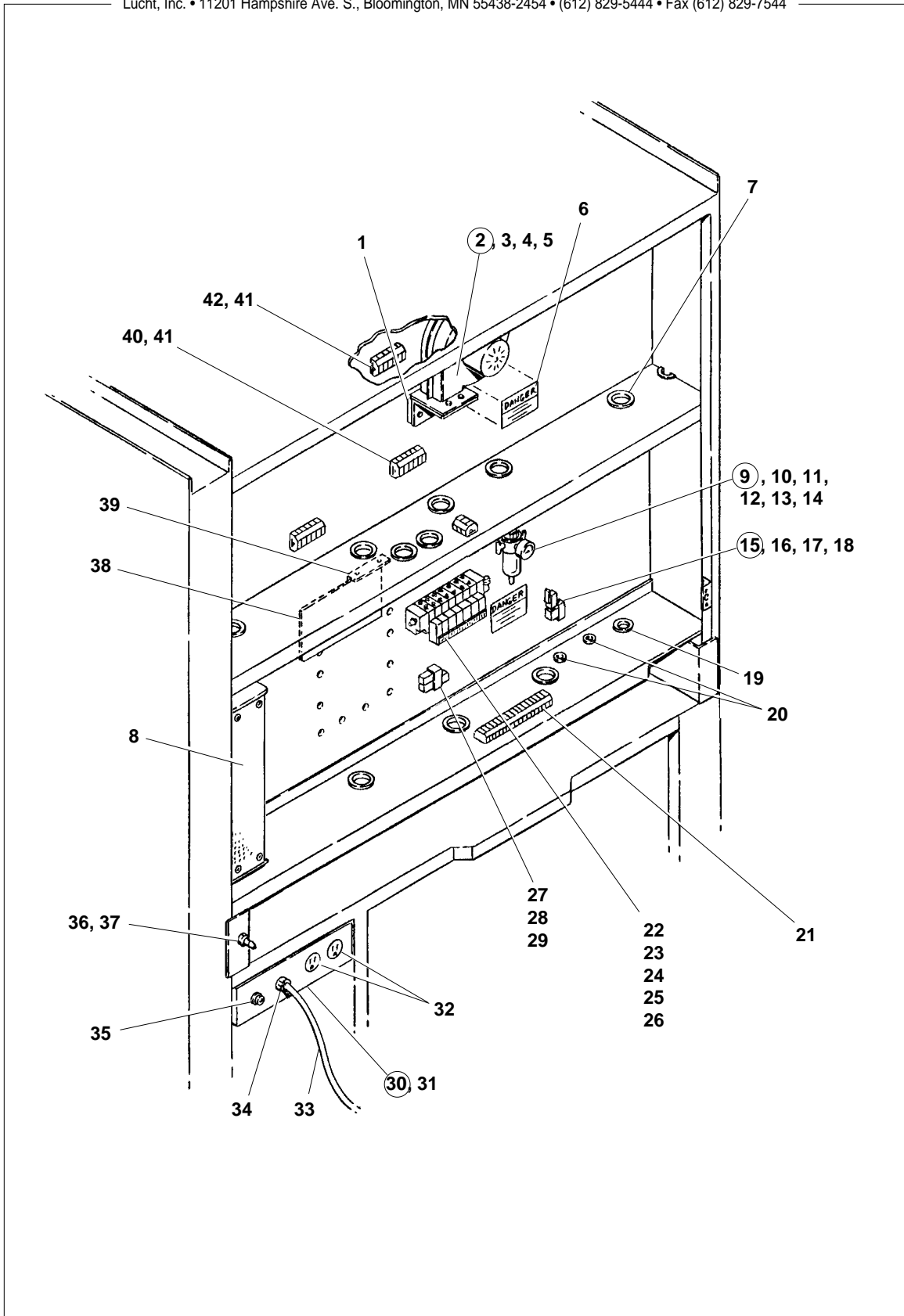


Figure 28 — Back Panel Components

Paper Rollers (With Optional Canisters)

Item #	Part #	Description
1	703316	Washer - Swivel, Male
2	703317	Washer - Swivel, Female
3	364156	Pin - Canister Locator
4	365548	Stiffener W/F - Mounting, Canister
5	364335	Bracket - Canister Support
6	703303	Spring - Extension
7	363829	Arm - Lever
8	364120	Holder Assembly - Buffer Arm
9	365546	Bracket W/F - Mounting, Canister, Upper
10	364246	Buffer Arm - Take-Up
11	702422	Bumper - 1" Dia. x .56 Thick
12	280265	Shaft - Buffer Roller
13	150223	Paper Guide Flange - Roller
14	270143	Roller Assembly
15	150189	Paper Guide Flange - Roller, Split
16	367284	Spacer - Buffer Arm Pivot, Take-Up
17	704875	Ring - Retaining, Int., 1.375 Dia. Shaft
18	704868	Bearing - Ball, Radial, .669 I.D. x 1.378 O.D. x .393 W
19	367289	Spacer - Bearing, Buffer Arm Pivot
20	705303	Ring - Retaining, Ext., .187 Dia. Shaft
21	706753	Clutch - Slipper, Open Plate, Adjustable
22	369471	Pulley Ass'y - Timing
23	369474	Shaft - Take-Up
24	700037	Collar, .625 I.D.
25	701192	Pin - Spring, .250 x 1.00
26	365547	Stiffener W/F - Mounting, Canister, Lower
27	280509	Shim - .657 ID x 1.14 O.D.
28	363931	Mount Assembly - Bearing
29	280345	Standoff - Bearing Hub
30	700082	Screw - BHC, 1/4-20 x .75 Long
31	364106	Retainer - Core Gripper
32	367346	Tube - Expansion
33	367347	Support - Tapered
34	354111	Washer - Thrust
35	365245	Handle - Nut
36	363826	Motor - Stepper
37	363813	Bracket - Stepper Drive Motor
38	364534	Pulley - 12 Tooth
39	703192	Belt - Timing Drive
40	363812	Shaft - Drive Roller
41	363814	Pulley - 72 Tooth
42	310102	Vane - Counter Disk
43	700037	Collar - .625 I.D.
44	110349	Bearing Mount - Drive Shaft
45	130162	Drive Roller - 3.86 Dia.
46	700481	Switch - Vane
47	363828	Bracket - Vane Switch
48	120205	Retainer Plate - Vane Switch
49	250623	Detector Assembly - Paper Splice

(continued)

Lucht, Inc. • 11201 Hampshire Ave. S., Bloomington, MN 55438-2454 • (612) 829-5444 • Fax (612) 829-7544

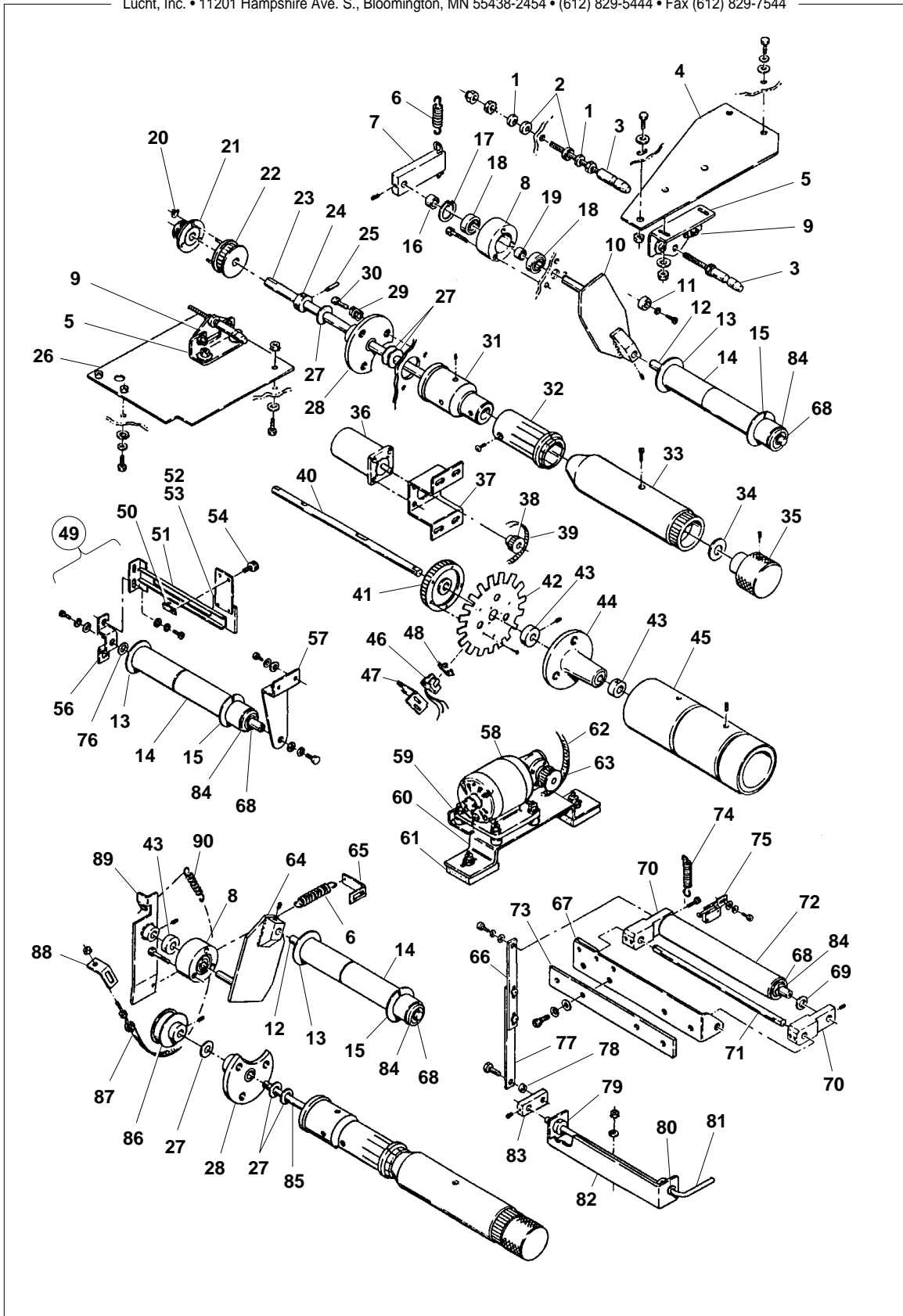


Figure 29 — Paper Rollers (With Optional Canisters)

Paper Rollers (With Optional Canisters — cont'd)

<i>Item #</i>	<i>Part #</i>	<i>Description</i>
50	110539	Board Clamp - Splice Detector
51	100237	Adjustment Arm - Splice Detector
52	250588	PSD PCB Ass'y
53	250619	PCB Mount, PSD
54	290274	Thumbscrew Assembly
55	701077	Connector - Card Edge
56	110238	Bracket - Idler Mounting
57	110237	Bracket - Idler Shaft
58	363827	Motor Assembly - Take-Up
59	703191	Mount - Vibration
60	363815	Bracket - Take-Up
61	363824	Pad - Take-Up Motor
62	702654	Belt - Timing
63	700719	Pulley - 20 Tooth
64	364247	Arm - Buffer Roller
65	363623	Bracket - Spring
66	210113	Link - Adjusting
67	250487	Bracket - Pressure Roller
68	700707	Ring - Retaining, External
69	701228	Shim - .50 I.D. x .75 O.D. x .04 Thk.
70	364330	Arm Assembly - Pressure Roller
71	280272	Shaft - Pressure Roller
72	360988	Roller Assembly - Print
73	280271	Stiffener - Pressure Roller
74	701672	Spring - Extension, 2.25 Long
75	700759	Switch - Snap Action
76	701782	Spacer - .257 I.D. x .562 O.D. x .05 Thk.
77	210112	Link - Adjusting, Lower
78	280302	Spacer - Pressure Roller Bolt
79	700298	Collar - .375 I.D.
80	700803	Bearing - Snap-In, .375 I.D.
81	170125	Handle - Pressure Roll
82	110236	Bracket - Pressure Release
83	120182	Arm - Crank
84	280645	Shim - .50 I.D. x .75 O.D. x .005 Thk.
84	280646	Shim - .50 I.D. x .75 O.D. x .010 Thk.
84	280647	Shim - .50 I.D. x .75 O.D. x .025 Thk.
84	280648	Shim - .50 I.D. x .75 O.D. x .047 Thk.
85	364114	Shaft - Supply Roller
86	250153	Pulley - Brake
87	110244	Belt - Brake Assembly
88	363819	Bracket - Spring
89	363822	Arm - Brake
90	703303	Spring - Extension

Lens Receptor Area

Item #	Part #	Description
1	*	Holder - Lens Tray
2	361028	Bracket - Magnet
3	700433	Magnet - Ceramic
4	701232	Nut - Jam, Hex, 1/4-28
5	361067	Nut, Thumb, 1/4-28
6	702415	Spring -
7	*	Board - Lens
8	—	Threaded Rod - 6-62 (Specify Length)
9	361051	Nut - Lens Adjust
10	150171	Foot - Lens Slide
11	706891	Tubing - .25 O.D. Black
12	361031	Cylinder - Air,
13	706263	Fitting - Elbow, Male, Swivel, 90°
14	371706	Plate - Top, Sub
15	371719	Rail - Top, Cover
16	361053	Rail - Cover, Right
17	361057	Rail - Cover, Left
18	371796	Bracket - Mounting, Base, Right
19	371797	Bracket - Mounting, Base, Left
20	372551	Door Assembly - Front
21	372444	Door - Front
22	700161	Handle - Chrome, .375 Dia.
23	700986	Washer - Cover, Flat Nylon
24	702189	Stud - Oval Head
25	705034	Grommet - Dzus®
26	700401	Tape - Foam, Adhesive, .50 W., .25 T
27	371799	Support - Base, Inner
28	371800	Support - Base, Outer
29	361060	Bracket - Receptacle
30	702191	Spring Assembly - Misc.
31	371798	Nut - Bar, Support
32	372169	Leg - Weldment, Left
33	372170	Leg - Weldment, Right
34	372186	Block - Mount, PCM
35	372031	Rail - Front
36	371795	Plate - Base, Lower
37	372162	Rod - Support
38	361017	Retainer - Bearing
39	701869	Bearing - Linear
40	701871	Ring - Retaining, Ball Bushing
41	250222	PCB Assembly - LHE (Lens Hall Effect)
42	361068	Bracket w/f - Lens Hall Effect

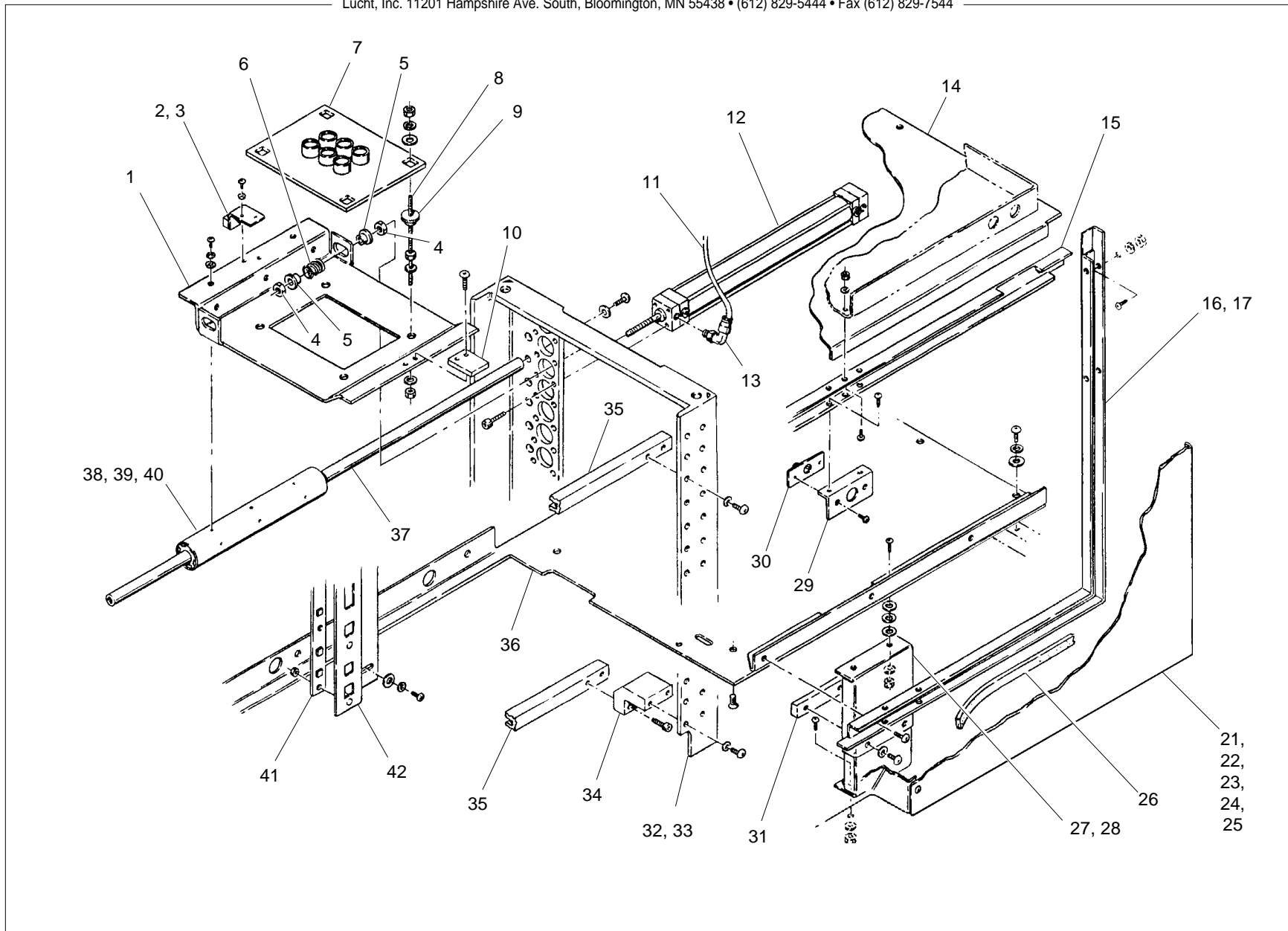


Figure 30 — Lens Receptor Area

Lucht Paper Canister (Optional)

Item #	Part #	Description	Item #	Part #	Description
1	367350	Paper Canister Assembly	25	365933	Retainer - Clamp
2	367298	Flange Assembly - Paper Holding	26	365932	Clamp - Locator, Left
3	367297	Flange W/F - Disc, Paper Holding	27	365503	Cover Ass'y - Canister
4	367296	Clamp W/F - Retainer	28	365148	Cover - Canister
5	367295	Stop - Clamp Locator	29	702110	Bearing - .25 I.D. x .62 O.D. x .196 W.
6	367292	Clamp - Locator, Left	30	362857	Screw - Shoulder, Slotted
7	704403	Spring - Comp., .032 WD, .240 O.D.	31	365145	Spool - Bearing
8	367293	Clamp - Locator, Right	32	701491	Bearing - Ball, Flanged, .25 I.D.
9	367294	Guide - Disc, Flange	33	365234	End Plate - Right
10	704850	Spring - Comp., .032 WD, .300 O.D.	34	365505	Roller Assembly
11	367349	Core Assembly - Canister	35	365508	Access Cover Assembly
12	367344	Core - Canister	36	365233	Cover - Access
13	367345	Liner - Core	37	365415	Pad - Protective, Cover
14	365504	Latch - Cover, Canister	38	365254	Bar - Rear, Canister
15	369817	Bar - Retainer	39	700401	Tape - Foam, .25 x .50
16	365253	Bar - Front	40	365248	Block - Locator, Canister
17	365507	Stop - Light, Canister	41	704251	Spring - Compression, .24 O.D. x .375 L.
18	704858	Fastener - Velcro™, 1/2" Wide	42	365249	Retainer - Spring
19	702962	Tape - Transfer, 1" x .002 Thk.	43	700409	Ball - Nylon, .25 dia.
20	365079	Housing - Canister	44	365235	End Plate - Left
21	365920	Disk - Flange Assembly	45	365232	Latch - Access Cover
22	365918	Disk - Flange	46	704258	Spring - Compression, .180 O.D. x .25 L.
23	365942	Clamp - Locator, Right	47	702153	Screw - Shoulder, .12 x .18, 4-40
24	704403	Spring - Compression	48	365919	Block - Locator

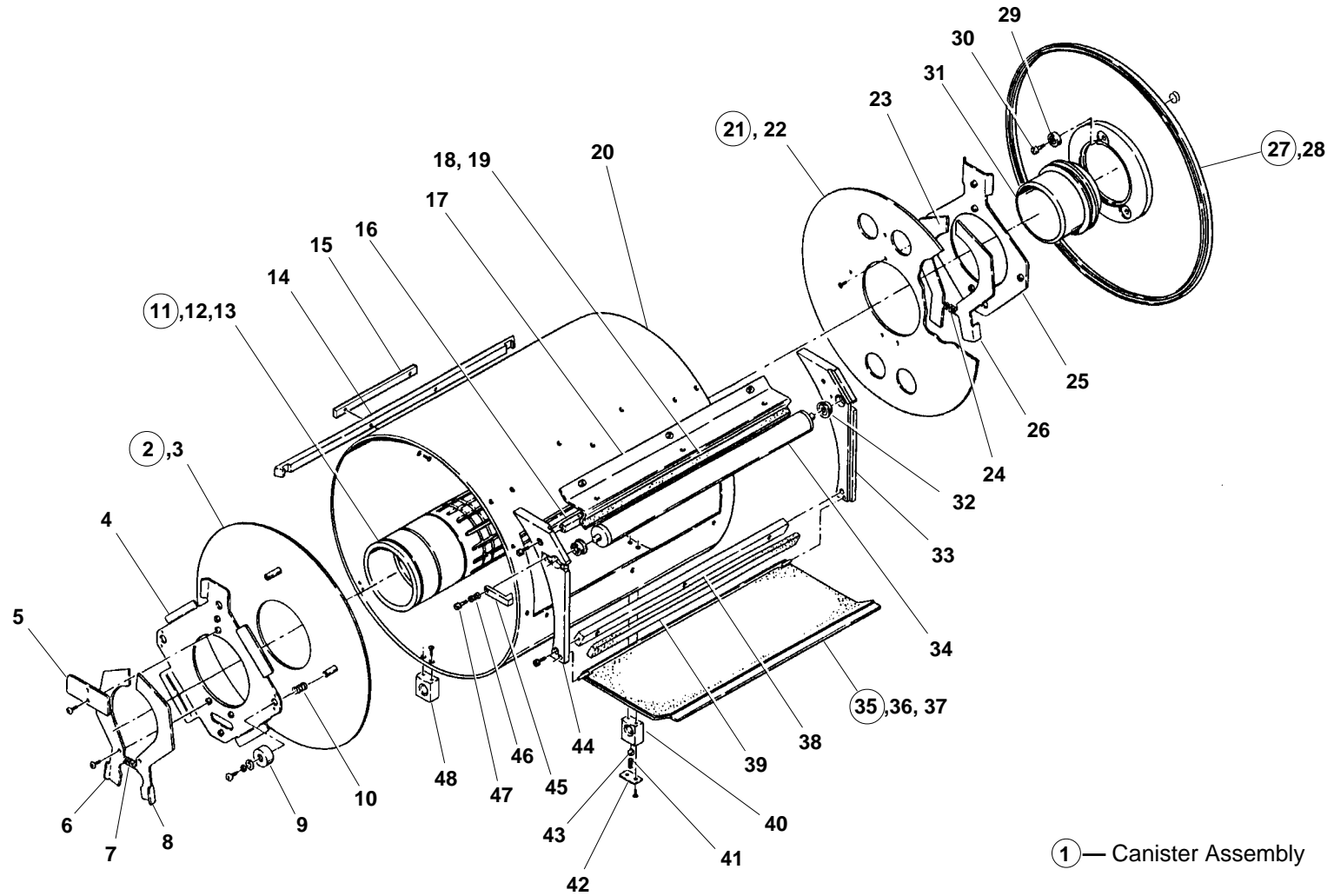


Figure 31 — Lucht Paper Canister (Optional)