

Main Frame

Item #	Part #	Description
1	706670	Caster - 3" Dia., Front
2	700899	Bushing - Strain Relief
3	701238	Power Cord - 3 Conductor
4	700369	Screw - SHS, 10-24 X .25 L
5	701313	Holder - Fuse
6	701331	Fuse - Ceramic Tube, 15A, 250 VAC, 3AG Fastblow
7	230144	Bar - Nut
8	250529	Hinge - Pivot
9	700144	Washer- Flat, 1/4"
10	700598	Washer - Lock, Int. 1/4"
11	700087	Screw - HH, 1/4-20 X .75 L
12	702016	Spring - Compression, .480 OD X .75 L
13	700370	Screw - SHS, .312 X .75 L
14	700346	Screw - SHC, 5/16-18 X .75 L
15	700804	Bearing - Ball, Flange
16	110600	Blower Motor Assembly
17	700269	Blower - 24 CFM, 115 VAC
18	100151	Plate - Adapter
19	700092	Screw - HH, 1/4-20 X .50 L
20	220231	Mount - Blower
21	700604	Washer - Lock, Ext. 1/4"
22	700594	Nut - Hex, 1/4-20
23	367059	Gasket - Neoprene
24	700604	Washer - Lock, Ext. 1/4"
25	700594	Nut - Hex, 1/4-20
26	700144	Washer - Flat 1/4"
27	250324	Pad - Blower Motor Mount
28	700870	Washer - Flat, 5/16"
29	700384	Washer - Lock, Int 5/16"
30	700377	Nut - Hex 5/16-18
31	120456	Catch - Support Rod
32	280619	Support Rod - Door
33	706669	Caster - 3" Dia., Rear
34	250614	Paper Cabinet Door Assembly
35	701890	Tape - Foam, .25 T X .625 W X 10 FT.
36	701881	Cotter Pin
37	250613	Door - Paper Cabinet
38	170127	Handle - Paper Cabinet Door
39	700601	Washer - Lock, Int. No. 10
40	700132	Nut - Hex, 10-32
41	701222	Screw - PFH, 10-32 X .62 L.
42	280382	Stop - Door Handle
43	700411	Latch - Adjustable
44	700562	Screw - SHC, 8-32 X .75 L
45	700131	Nut - Hex, 8-32
46	110621	Bracket - Support Rod
47	701271	Washer - Lock, Ext. No. 6
48	700547	Screw - PPH, 6-32 X .5 L

(continued)

Lucht, Inc., 11201 Hampshire Ave. S., Bloomington, MN 55438-2454 • (612) 829-5444 • Fax (612) 829-7544

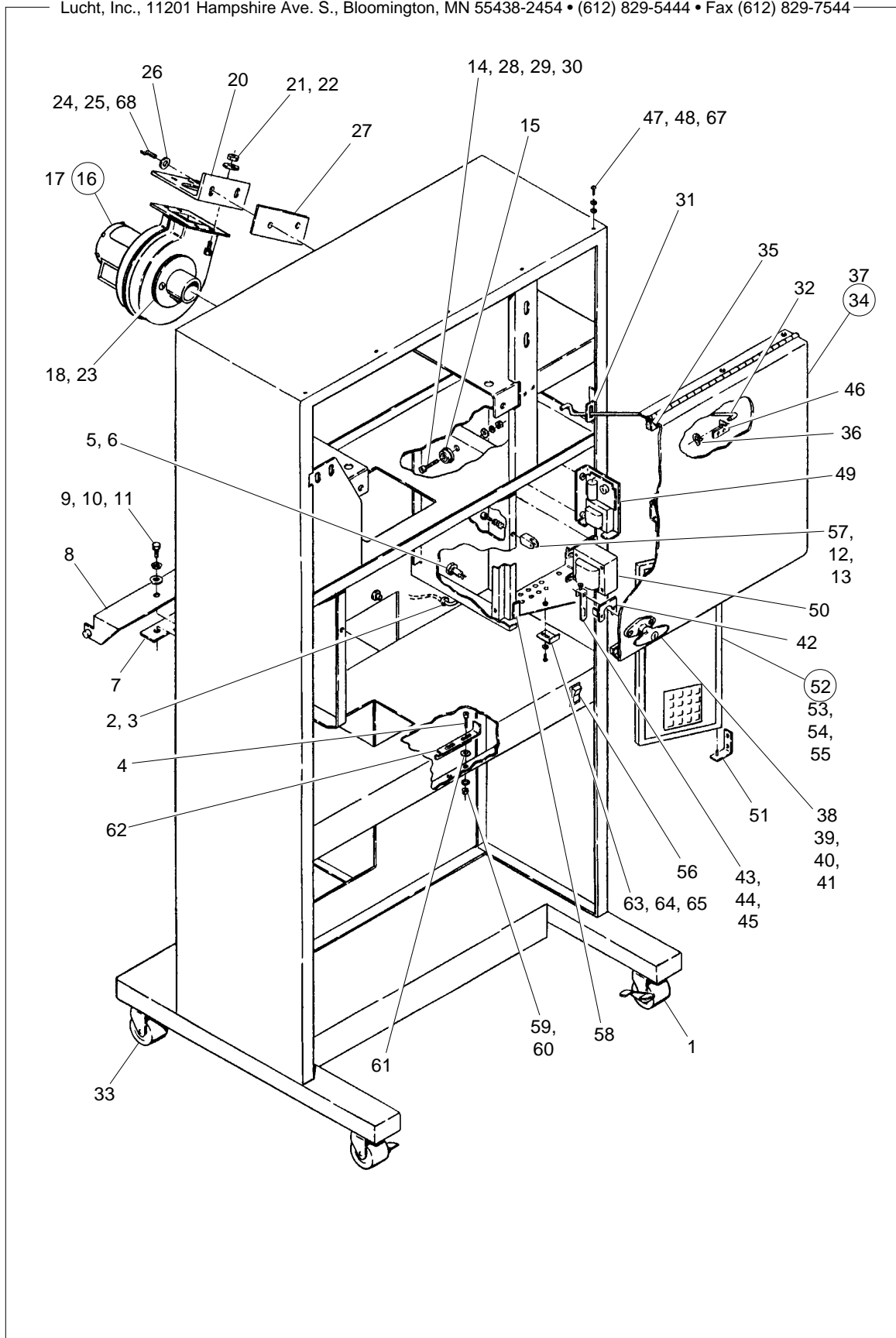


Figure 17 — Main Frame

Main Frame (cont'd)

49	250624	Power Supply - 5 VDC
50	290294	Transformer- 24 VDC
51	250615	Bracket - Pivot
52	120460	Control Panel Assembly
53	250616	Face Plate - Control Panel
54	250702	PCB Assembly - SOC (Step One Controller)
55	701810	Fuse - 6 A, 250 Vac, 3AG, Fast Blow
56	701651	Switch - Rocket
57	200134	Keeper - Modulatch
58	701801	Tape- Magnetic
59	700375	Nut - Hex, 10-24
60	700138	Washer - Lock, Ext. N0. 10
61	701782	Spacer
62	120463	Catch - Lamphouse
63	361778	Retainer- Door
64	700352	Screw - BHC, 8-32 X .50L
65	700709	Washer - Flat, No. 8
66	361780	Shield - Safety
67	700605	Washer - Flat, No. 6
68	700698	Screw - SHC, 1/4-20 X 1"
-	240126	Owner's Manual - (Not Shown)

Paper Rollers

Item #	Part #	Description
1	701724	Screw - PPH, 8-32 X .31 L
2	280640	Shield - Bearing
3	701782	Spacer
4	701015	Spacer - Tubular, .257 ID x .50 x .50 L
5	180104	Idler Sprocket Assembly
6	700927	Nut - Lock, Hex 1/4-20
7	700501	Bearing - Flange Block
8	700031	Chain
9	701017	Master Link
10	280114	Sprocket - Motor
11	700103	Setscrew, 1/4-28 X .5
12	280112	Sprocket - Drive, 45 T
13	700237	Terminal Block - 6 Lug
14	700716	Mount - Adhesive Backed
15	110628	Bracket - Vane Counter
16	700481	Switch - Vane
17	160240	Gear Motor Assembly
18	120458	Counter - Vane
19	700566	Setscrew, 8-32 X .25 L
20	130142	Drive Wheel Assembly
21	280130	Shaft - Drive
22	130246	Disc - Flange Assembly
23	130118	Disc - Flange
24	210101	Lock - Flange
25	701393	Spring - Extension, .36 OD x 2.5 L
26	320217	Washer - Spring Retainer
27	701799	Nut - Hex, Lock, 3/4-16
28	280101	Spring - Compression, 1.01 OD x 1.130 L
29	170190	Holder - Spring, Pressure Roller
30	701393	Spring - Ext. .031 WD X .36 OD
31	250620	Pressure Roller Assembly
32	700367	Screw - PPH, No. 6 X .25
33	250134	Pin - Pressure Roller
34	100100	Arm - Pressure Roller
35	250131	Arm Mount - Pressure Roller
36	700194	Pin - Dowel, .38 OD x 1.75
37	701266	Ring - Gripping, Ext.
38	250130	Wheel Assembly - Pressure Roller
39	280181	Spacer - Pressure Roller
40	280122	Shaft - Take-up
41	700865	Brake - Kit, Gear Motor
42	110103	Bracket - Idler, Front
43	700092	Screw - HH, 1/4-20 X .50 L
44	700598	Washer - Lock, Int./4
45	700144	Washer - Flat 1/4
46	701782	Spacer - .257 ID x .562 OD x .05 Thk.
47	701228	Shim - .50 ID x .75 OD x .047 Thk.
48	280645	Shim - .50 ID x .75 OD x .005 Thk.

(continued)

Lucht, Inc., 11201 Hampshire Ave. S., Bloomington, MN 55438-2454 • (612) 829-5444 • Fax (612) 829-7544

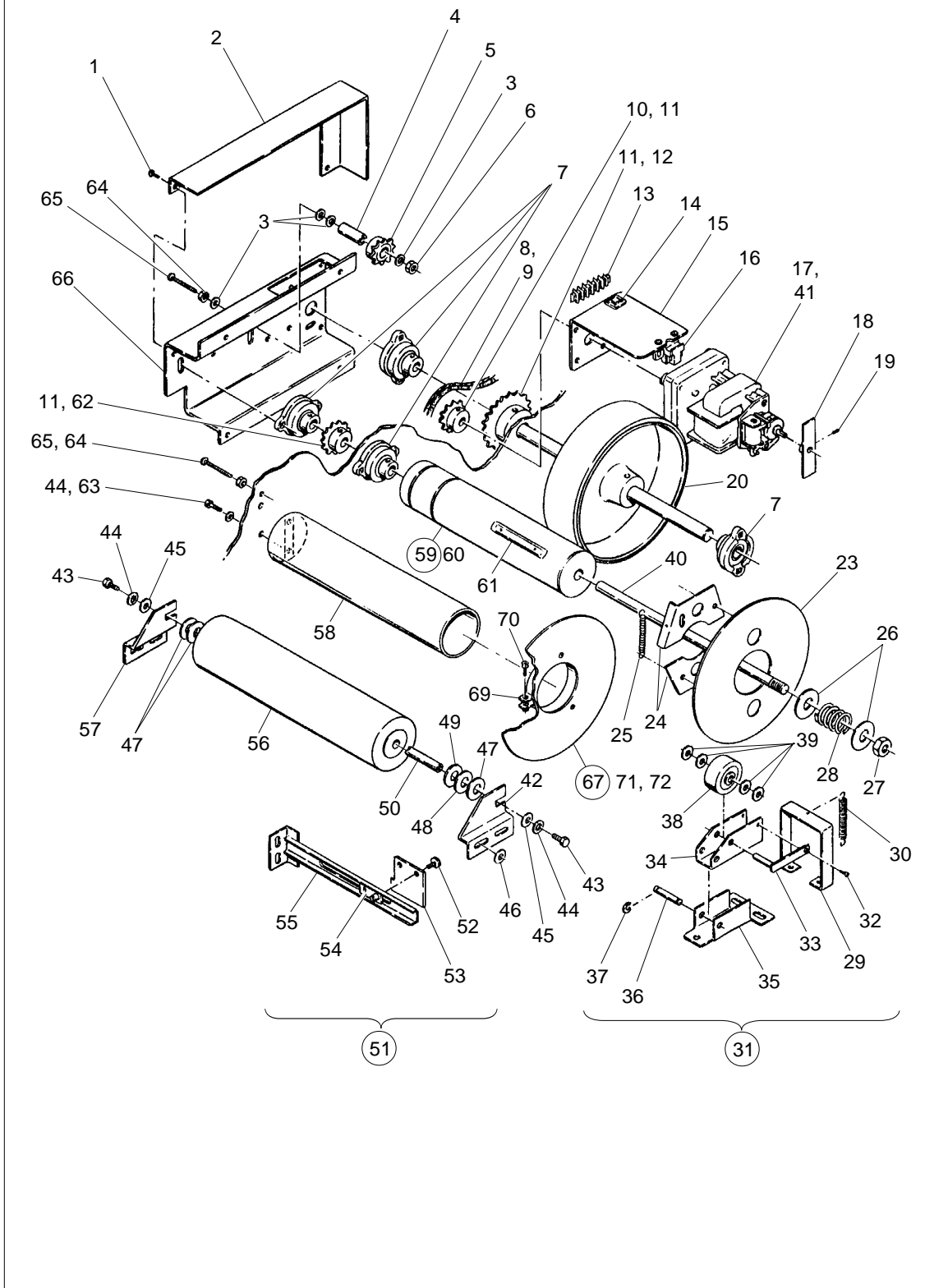


Figure 18 — Paper Rollers

Paper Rollers (cont'd)

49	280646	Shim - .506 ID x .75 OD x .01 Thk.
50	280118	Shaft - Idler
51	250486	Paper Splice Detector Assembly
52	290274	Thumbscrew Assembly
53	250588	PCB Assembly - Paper Splice Detector
54	110539	Clamp - Board
55	100237	Arm - Adjustment
56	180100	Idler Roller Assembly
57	110104	Bracket - Idler Rear
58	280218	Supply Tube
59	290298	Take-Up Roller Assembly
60	270288	Roller - Take-up
61	160119	Core Gripper
62	280111	Sprocket - Take-up
63	700082	Screw - BHC, 1/4-20 X .75 L
64	706539	Kep Nut- Hex, 1/4-20
65	700960	Screw - PPH, 1/4-20 X 2.50 L
66	220454	Mount- Bearing
67	360590	Supply Flange Assembly
68	360587	Flange - Supply
69	360589	Clamp - Flange
70	700342	Screw - SHC 8-32 X 1.25 L
71	706535	Kep Nut - Hex, 6-32

Paper Protectors and Lens Actuators

Item #	Part #	Description
1	310121	Vacuum Platen Assembly
2	250610	Plenum Assembly
3	250618	Platen - Vacuum
4	170191	Hook - Lift, Vacuum platen
5	700033	Clamp - Hose
6	170193	Hose - Vacuum
7	361246	Mask Support Plate Sub-Assembly
8	220371	Mask - Paper, 11 x 14 Borderless
8	220372	Mask - Paper, 11 x 14 Bordered
8	220373	Mask - Paper, 8 x 10 Borderless
8	220374	Mask - Paper, 8 x 10, Bordered
9	701199	Screw - SPH, 2-56 X .125
10	220460	Mask Blade Ass'y - 11 X 14 Right
11	110618	Blade - Mask, 11 X 14
12	220456	Bracket - Mask Blade, 11 X 14 Right
13	701227	Screw - PPH 6-32 X .25 L
14	701271	Washer - Lock, Ext., No. 6
15	700605	Washer - Flat, No. 6
16	700930	Bearing - Snap In, .25 ID X .078 L
17	120455	Clamp - Cable
18	701798	Ring - Retaining, Ext.
19	701664	Ball - Nylon .125 Dia.
20	700566	Setscrew - 8-32 X .25 L
21	220461	Mask Blade Assembly- 11 X 14 Left
22	368281	Blade - Mask, 11 X 14 Left
23	220457	Bracket - Mask Blade, 11 X 14 Left
13	701227	Screw - PPH, 6-32 X .25 L
14	701271	Washer - Lock,
15	700605	Washer - Flat, No 6
16	700930	Bearing - Snap In, .25
17	120455	Clamp - Cable
18	701798	Ring - Retaining, Ext.
19	701664	Ball - Nylon .125 Dia.
20	700566	Setscrew - 8-32 X .25 L
24	220462	Mask Blade Assembly- 8 X 10
11	110618	Blade - Mask, 11 X 14
25	220458	Bracket - Mask Blade, 8 X 10
13	701227	Screw - PPH, 6-32 X .25 L
14	701271	Washer - Lock, Ext No. 6
15	700605	Washer - Flat, No. 6
16	700930	Bearing - Snap In, .25
18	701798	Ring - Retaining, Ext.
26	120454	Catch - Cable, 8 X 10
27	700010	Bushing - Nylon
28	280639	Shaft - Mask Blade
29	700918	Ring - Retaining, External
30	701795	Pulley - Nylon
31	360576	Retainer - Cable
32	701782	Spacer

(continued)

Lucht, Inc., 11201 Hampshire Ave. S., Bloomington, MN 55438-2454 • (612) 829-5444 • Fax (612) 829-7544

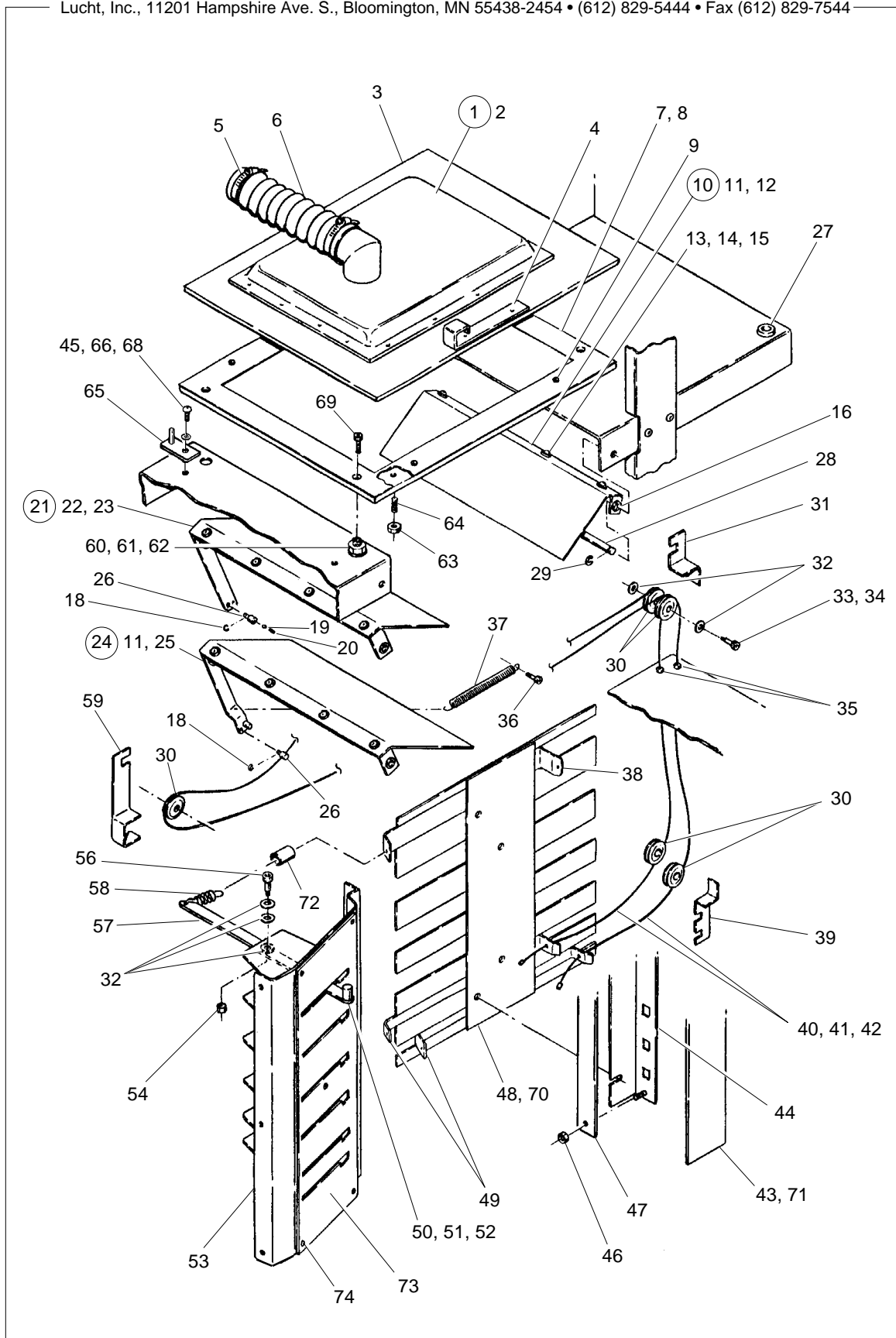


Figure 19 — Paper Protectors and Lens Actuators

Paper Protectors and Lens Actuators (cont'd)

33	701696	Screw - SHS, 10-24 X .62 L
34	701708	Nut- Hex Lock, 10-24
35	700805	Bearing - Snap In
36	700369	Screw - SHS, 10-24 X .25 L
37	280301	Spring - Extension
38	270284	Ram - Lens Actuator
39	360575	Retainer - Cable
40	701794	Cable - Nylon, .034 Dia. X 1 Ft (Specify Qty. Needed)
41	701796	Ball - End Plug
42	701797	Sleeve - Loop
43	360584	Light Shield Assembly - Right
44	210267	Mount - LHE PCB
45	701271	Washer - Lock, Ext, No. 6
46	706535	Kep Nut - Hex, 6-32
47	250222	PCB - LHE Assembly
48	270280	Slide - Guide, Ram
49	270282	Ram - Lens Actuator, 11 X 14 and 8 X 10
50	200147	Knob - Handle
51	700081	Screw - BHC, 8-32 X .38 L
52	700382	Washer - Lock Int. No. 8
53	363146	Handle Retainer - Ram
54	700375	Nut - Hex 10-24
56	700369	Screw - SHS, 10-24 X .25 L
57	170186	Handle - Ram
58	701786	Spring - Extension
59	360577	Retainer - Cable
60	700144	Washer - Flat, 1/4"
61	700710	Nut- Hex, 1/4-28
62	280641	Standoff - Adjuster
63	700374	Nut - Hex, 8-32
64	700696	Setscrew, 8-32 X .5
65	100189	Paper Guide - Adjustment
66	700609	Washer - Flat, No. 6
68	700553	Screw - BHC, 6-32 X .50 L
69	700700	Screw - SHC, 6-32 X .38 L
70	361353	Tape - Plastic Film X 4 Ft.
71	360582	Light Shield Assembly - Left
72	365285	Tube
73	365287	Plate - Face
74	702688	Screw - PSH, 6-32 X .25 L

Lens Drawer Assembly

Item #	Part #	Description
1	*	Lens Drawer Assembly
2	120196	Cover - Lens Cabinet Front
3	700085	Screw - FHCS, 1/4-20 X .75 L
4	700555	Screw - FHCS, 6-32 X .375 L
5	700331	Screw - BHSCS, 6-32 X 1/4" L
6	700605	Washer - Flat, No. 6
7	100162	Angle - Lens Carrier - L
8	100163	Angle - Lens Carrier - R
9	170160	Handle - Modulatch
10	270149	Rod - Adjustment
11	700335	Screw - FHSC, 14"-20 X .50 L
12	700835	Washer - Flat 1/2"
13	700834	Nut - Hex 1/2"-20
14	290185	Top - Lens Drawer
15	700196	Pin - Spring
16	100165	Angle - Upper Alignment
17	700601	Washer- Lock Int., No 10
18	700554	Screw - BHSC, 10-32 X .375 L
19	100164	Angle - Lower Alignment
20	110273	Bottom Plate 3" X 3" Opening
20	110510	Bottom Plate - 4" X 10.5" Opening
20	110389	Bottom Plate - 3.5" X 3.8" Opening
20	110576	Bottom Plate - 3" X 12.12" Opening
21	600030	Cover - Bottom, Full
21	360591	Cover- Bottom 2.5 X 2.06 Opening
22	700600	Washer - Lock, NO. 6
23	701227	Screw - PPH, 6-32 X .25 L
24	280300	Shield - Light
25	*	Lens Focal Board Assembly
26	*	Lens Focal Board
27	*	Lens Board Assembly
29	*	Lens Board
30	700803	Bushing
31	150171	Foot-Lens Slide
32	700382	Washer - Lock, No. 8
33	700842	Screw - HH, 8-32 X .375 L
34	700874	Nut- Jam, Hex 10-32
35	700601	Washer - Lock, Int. No. 10
36	700355	Screw - PFH, 10-32 X 1.75 L
37	700391	Ring - Retaining, Ext.
38	700605	Washer - Flat ,No. 6
39	700600	Washer - Lock No.. 6
40	700700	Screw - SHCS, 6-32 X .375 L
41	280301	Spring - Extension
42	701359	Molded Rubber Tip
43	110275	Bracket - Spring
44	270150	Rod - Lens Deck
45	700840	Screw - PTH, 10-32 X 1.75 L
46	700694	Screw - SHCS, 8-32 X .875 L
47	700382	Washer - Int. No. 8

(continued)

Lucht, Inc., 11201 Hampshire Ave. S., Bloomington, MN 55438-2454 • (612) 829-5444 • Fax (612) 829-7544

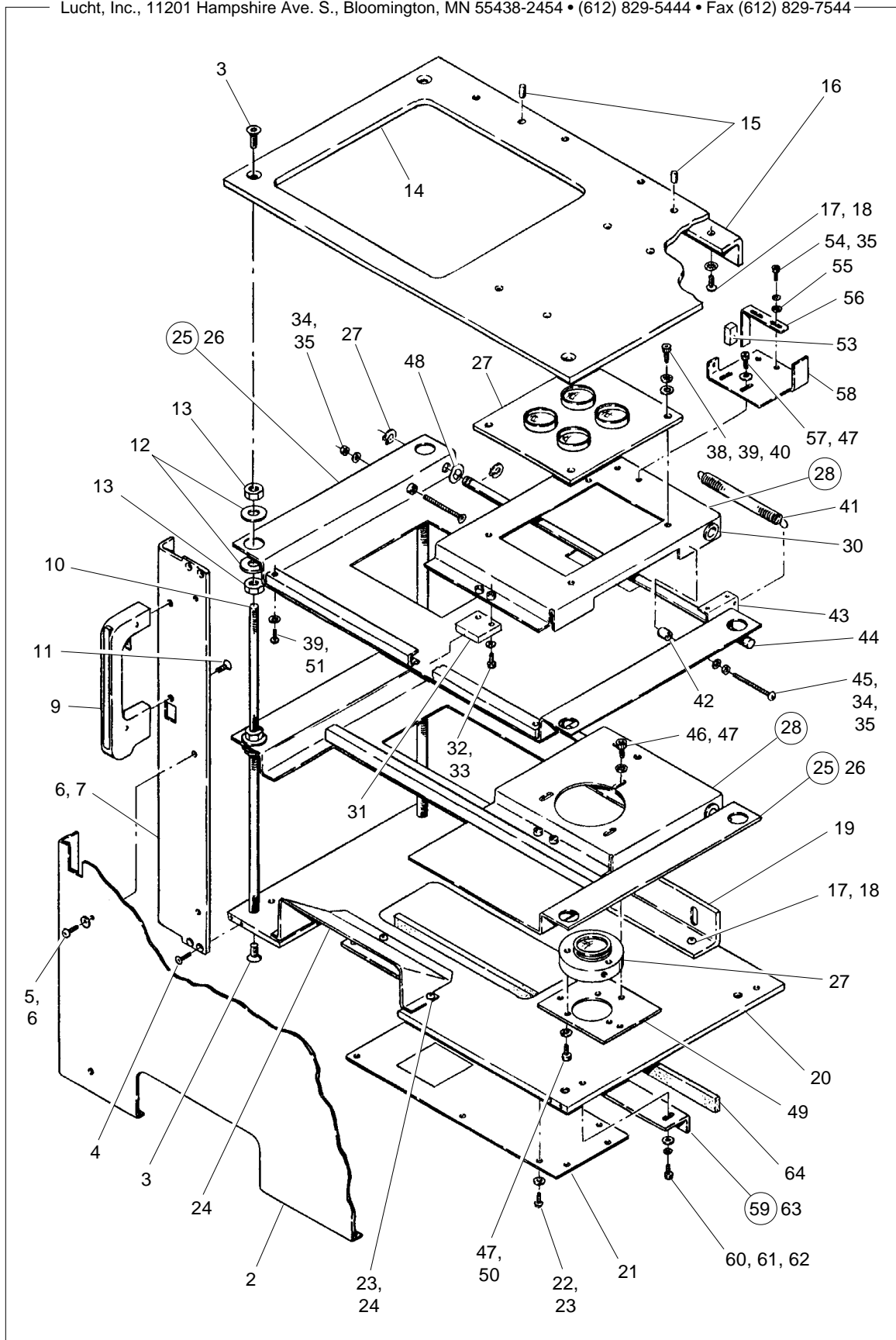


Figure 20 — Lens Drawer Assembly

Lens Drawer Assembly (cont'd)

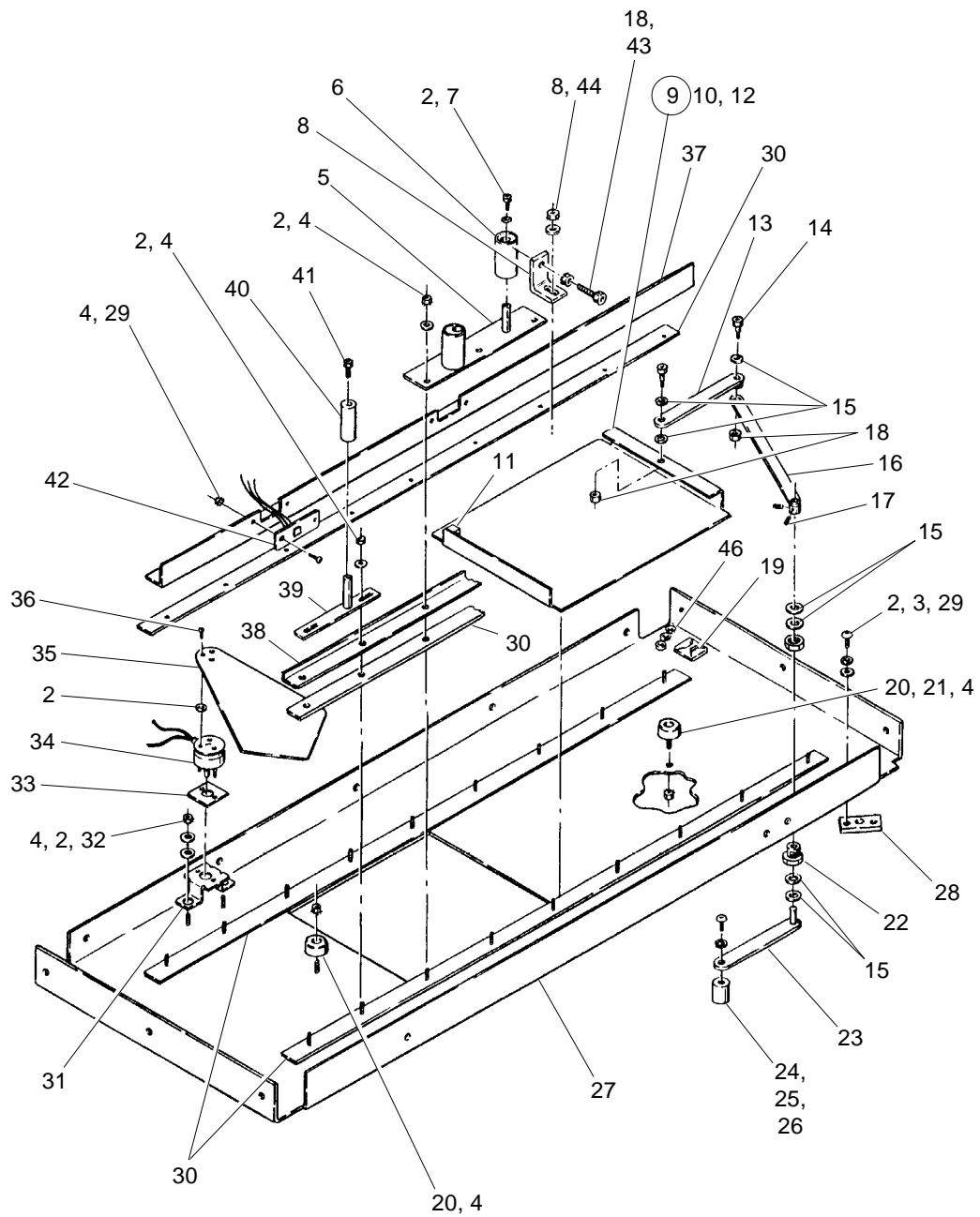
48	704322	Washer - Wave
49	600015	Retainer Plate - Lens
50	700090	Screw - SHCS, 8-32 X .375 L
51	701227	Screw - PPH, 6-32 X .25 L
52	160144	Guide - Lens Side
53	700433	Magnet - Oriented Ceramic
54	700563	Screw - SHCS, 10-32 X .375 L
55	600386	Washer - Flat, No. 10
56	110274	Bracket - Lens Magnet
57	700693	Screw - SHCS, 8-32 X .25 L
58	110596	Bracket - Actuator - 2 3/4" Special
58	210124	Bracket - Actuator - 2 1/4"
58	210171	Bracket - Actuator - 3 3/4"
58	210173	Bracket - Actuator - 5 1/2"
58	210165	Bracket - Actuator - 2 1/4" Down
58	210166	Bracket - Actuator - 1"
58	210180	Bracket - Actuator - 3 1/2"
58	210181	Bracket - Actuator - 3"
58	361633	Bracket - Actuator - 2 1/4" Offset
59	360586	Light Shield Assembly
60	700700	Screw - SHCS, 6-32 X .375 L
61	700600	Washer - Lock, No. 6
62	700605	Washer - Flat, No. 6
63	360585	Bracket - Light Shield
64	701890	Tape- Foam .25 Thk. x .625 Wide x 50 Ft

* Contact Lucht, Inc. for assistance in ordering this item.

Shutter Deck Assembly

<i>Item #</i>	<i>Part #</i>	<i>Description</i>
1	280630	Shutter Deck Assembly
2	700605	Washer - Flat No. 6
3	701271	Washer - Lock, Ext. No. 6
4	706535	Kep Nut - Hex, 6-32
5	290180	Stop - Test Shutter, Activated
6	371745	Eccentric Assembly - Stop
7	700338	Screw - SHC, 6-32 X .75 L
8	365240	Bracket - Support
9	280627	Safety Shutter Assembly
10	280620	Shutter - Safety
11	700433	Magnet - Ceramic
12	361353	Tape - Plastic Film x 4 FT.
13	210265	Link - Safety Shutter
14	700369	Screw - SHS, 10-24 X .25 L
15	701782	Spacer
16	280611	Arm - Safety Shutter
17	700567	Setscrew - 10-32 X .25 L
18	706538	Kep Nut - Hex, 10-24
19	700716	Mount - Adhesive Backed
20	700163	Bumper - Rubber
21	700555	Screw - FHC, 6-32 X .38 L
22	701783	Bushing - Panel
23	280612	Handle Assembly - Safety Shutter
24	200147	Knob - Handle
25	700382	Washer - Int. No 8
26	700081	Screw - PHC, 8-32 X .38 L
27	280629	Shutter Deck
28	110623	Block - Pivot
29	700079	Screw - BHC, 6-32 X .38 L
30	280285	Spacer - Shutter Guide
31	220229	Mount - Test Shutter Solenoid
32	320110	Washer
33	280284	Spacer - Test Shutter
34	704409	Solenoid - Rotary, Left Rotation, LF, RR
34	704410	Solenoid - Rotary, Right Rotation, LR, RF
35	110255	Blade - Test Shutter, Rear
35	110256	Blade - Test Shutter, Front
36	700780	Screw - SBH, 3-48 X .12 L
37	160238	Guide - Safety Shutter, Rear
38	160143	Guide - Safety Shutter, Front
39	290179	Stop - Test Shutter
40	290252	Stop - Return
41	700694	Screw - SHC, 8-32 X .88 L
42	250223	PCB - SHE, Assembly
43	700695	Screw - SHC, 10-24 X .75
44	700709	Washer - Flat, No. 8
45	706536	Kep Nut - Hex, 8-32
46	700805	Bushing - Snap-in

Lucht, Inc., 11201 Hampshire Ave. S., Bloomington, MN 55438-2454 • (612) 829-5444 • Fax (612) 829-7544



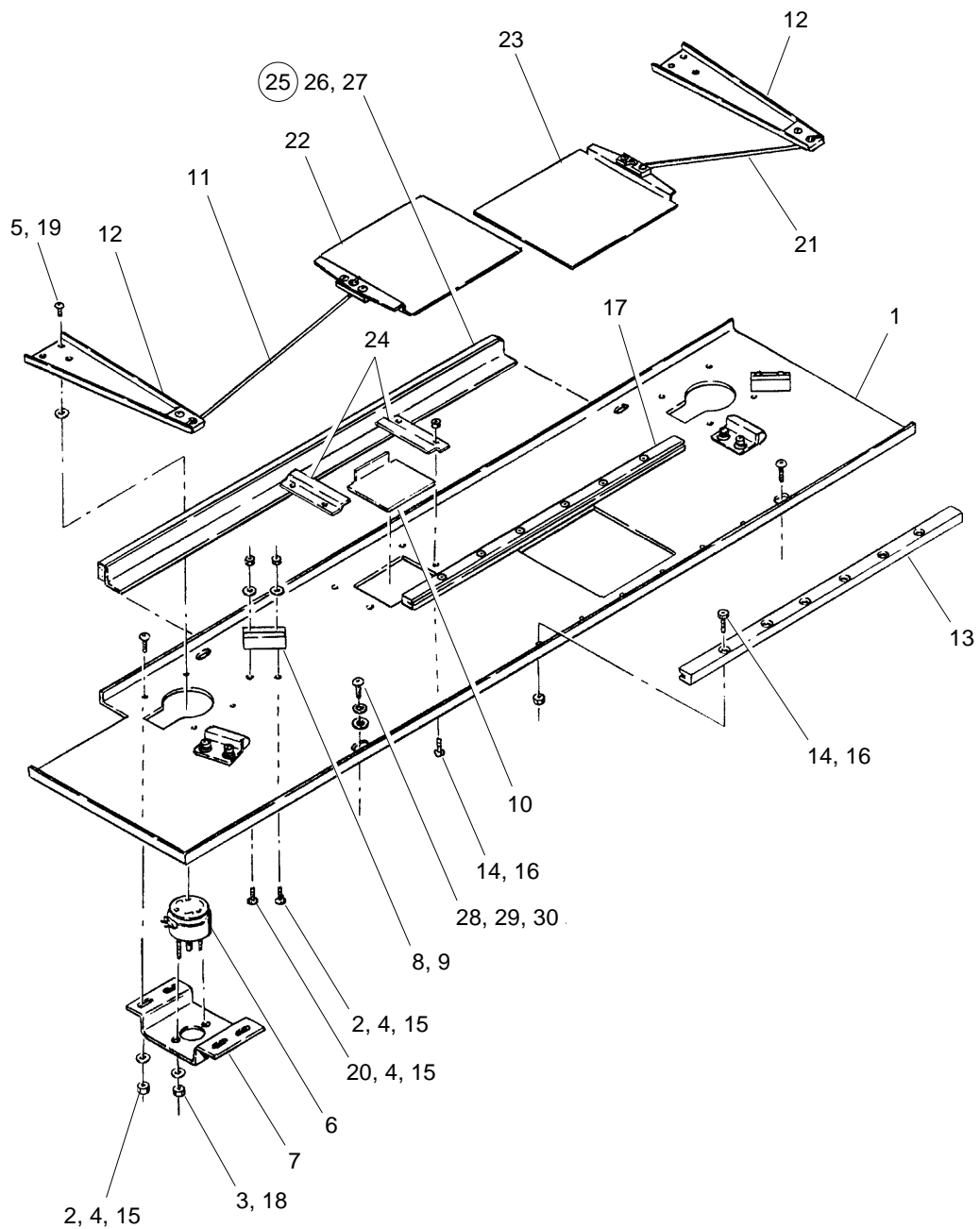
① Shutter Deck Assembly

Figure 21 — Shutter Deck Assembly

Shutter Pan Assembly

<i>Item #</i>	<i>Part #</i>	<i>Description</i>
	280636	Shutter Pan Assembly
1	250617	Pan - Shutter
2	700079	Screw - BHC, 6-32 X .38 L
3	701271	Washer - Lock, Ext. No. 6
4	706535	Nut- KEP, 6-32
5	700780	Screw - SBH, 3-48 X .12 L
6	704410	Solenoid- Rotary, Left Rotation
7	110627	Bracket - Solenoid Mounting
8	280635	Stop - Shutter Blade
9	367104	Seal - Light, Rubber
10	375147	Door - PCM
11	363313	Link - Shutter, Right
12	363310	Arm Assembly
13	270286	Rail- Slide, Shutter Blade Front
14	700560	Screw - SFH, 4-40 X .50 L
15	700605	Washer - Flat, No. 6
16	706534	Nut - KEP, 4-40
17	270287	Rail - Slide, Shutter Blade, Rear
18	701422	Nut - Hex, 5-20
19	701101	Washer - Nylon, Flat, No. 6
20	700555	Screw - FHC, 6-32 X .38 L
21	363314	Link - Shutter, Left
22	363311	Shutter Blade Assembly - Right
23	363312	Shutter Blade Assembly - Left
24	375148	Guide - PCM Door
25	360580	Light Shield Assembly
26	370579	Shield - Light
27	700155	Tape - Foam Adhesive .38 X .50 X 50 Ft.
28	700079	Screw - BHC, 6-32 X .38 L
29	701271	Washer - Lock, Ext. No. 6
30	700605	Washer - Flat, No. 6

Lucht, Inc., 11201 Hampshire Ave. S., Bloomington, MN 55438-2454 • (612) 829-5444 • Fax (612) 829-7544



Note: This assembly is viewed removed as from the printer and turned upside down.

Figure 22 — Shutter Pan Assembly

Rotary Table Assembly

Item #	Part #	Description
1	363330	Rotary Table Assembly
2	270146	Base - Riser
3	270147	Ring - Rotation
4	700409	Ball - Nylon, 1/4"
5	700132	Nut - Hex, 10-32
6	700138	Washer - Lock, Ext. No. 10
7	280370	Screw - Adjustment
8	250223	PCB - She Assembly
9	700589	Nut - Hex, 6-32
10	700600	Washer - Lock, Int. No. 6
11	700709	Washer - Flat, No. 8
12	280643	Mount - PCB, She, Left
13	270295	Retainer - Table Position, Left
14	700605	Washer - Flat No. 6
15	700090	Screw - SHC, 8-32 X .38 L
16	702629	Screw - SHC, 6-32 X .62 L
17	280468	Standoff - Rotary Table
18	700710	Nut - Hex, 1/4-28
19	270258	Plate Assembly - Rotary Negative
20	700638	Pin - Dowel, .125 X 1.0 L
21	110264	Block - Lift Arm Riser
22	700856	Clamp - Cable, .187 ID X .375 Wide
23	700323	Screw - PPH, 6-32 X .38 L
24	170137	Bracket - Sensor
25	700237	Terminal Block - 6 Lug
26	700547	Screw - PPH, 6-32 X .50 L
27	700566	Screw - Set, 8-32 X .25 L
28	369594	Trip Arm - Negative Aperture, Long
29	360592	Rotary Solenoid - Cropping
30	280288	Mount - Solenoid
31	700382	Washer - Lock, Int., No. 8
32	700374	Nut- Hex, 8-32
33	220466	Mount - Dual Magnet
34	700068	Screw - PPH, 4-40 X .25 L
35	700135	Washer - Lock Int. No. 4
36	270294	Retainer - Table Position, Right
37	362647	Strain Relief - Spring
38	362646	Spring - Retaining, Neg. Gate Lift
39	700442	Plug - Hole
40	363322	Bracket - Spring Mount
41	700433	Magnet
42	700321	Screw - PPH, 4-40 X .50 L
43	363321	Tie Rod - Neg. Gate Lift Arm
44	702637	Bearing - Teflon®
45	700080	Screw - BHC, 8-32 X .25 L
46	363323	Arm - Neg. Gate Lift
47	280642	Mount - PCB, She, Right
48	280596	Fastener - Ball Stud
49	363317	Handle - Neg. Gate Lift

(continued)

Lucht, Inc., 11201 Hampshire Ave. S., Bloomington, MN 55438-2454 • (612) 829-5444 • Fax (612) 829-7544

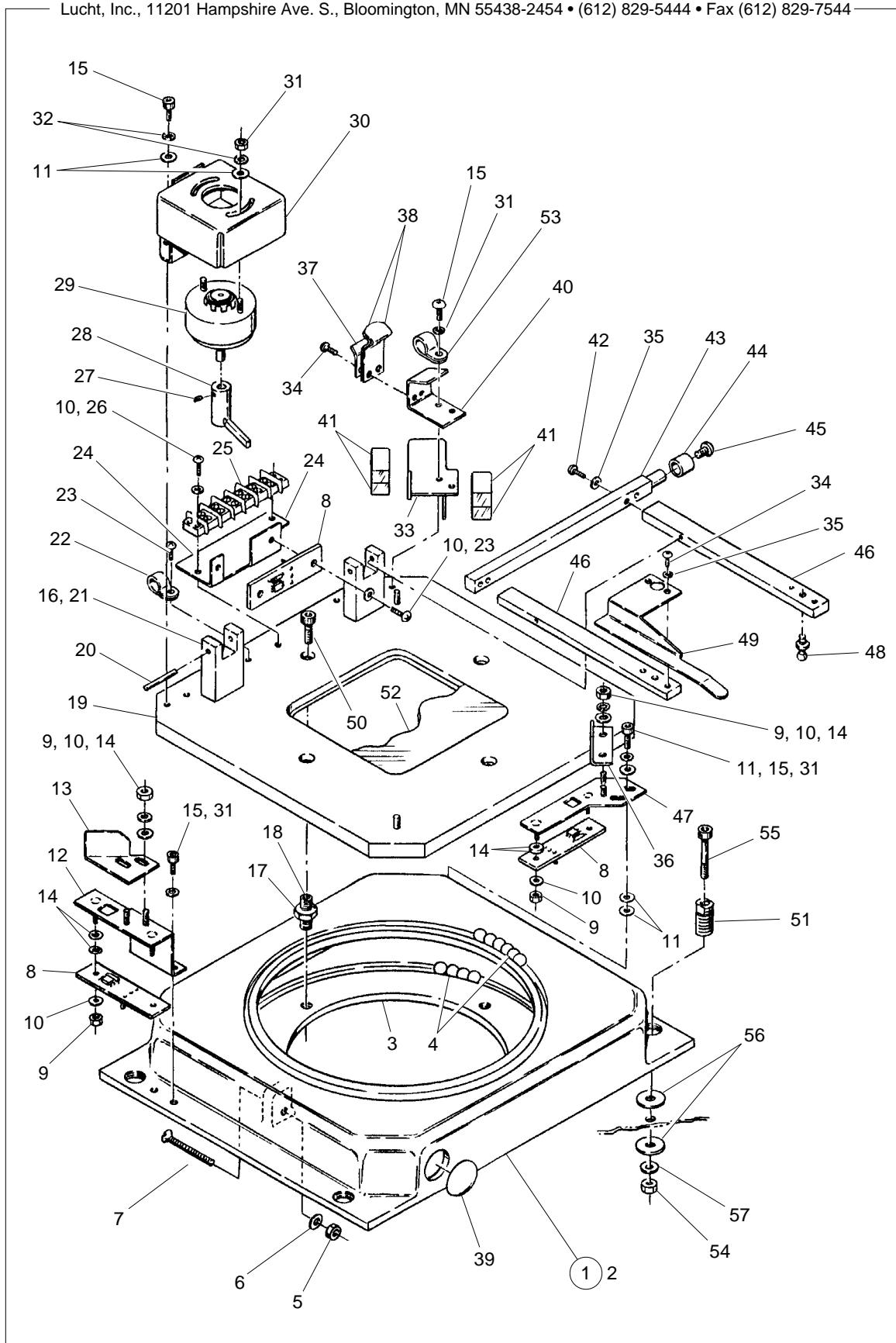


Figure 23 — Rotary Table Assembly

Rotary Table Assembly (cont'd)

50	700339	Screw - SHC, 8-32 X .50 L
51	280291	Standoff - Adjusting
52	130155	Diffuser - Flat 1/8" Thick
52	130222	Diffuser - Flat, 1/16" Thick
52	130193	Diffuser - Curved, Small Curve
52	130247	Diffuser - Curved, Medium Curve
52	130248	Diffuser - Curved, Large Curve
53	374247	Clamp - Cable, .25 Cable, Nylon, Blk
-	374247	Cord Assembly - High-flex (Not Shown)
54	700594	Nut- Hex, 1/4-20
55	700345	Screw - SHC, 1/4-20 X 1.5 L
56	700144	Washer - Flat 1/4"
57	700598	Washer - Lock, Int. 1/4"

Automatic Neg Cleaner

<i>Item#</i>	<i>Part#</i>	<i>Description</i>
1	363358	Filter Tray Ass'y - Auto Neg Cleaner
2	363356	Rod - Neg Cleaner
3	150190	Tray - Filter
4	702317	Tubing - .125 O.D. x .031 wall
5	703133	Coupling Set - Barbed
6	363436	Air Filter Ass'y - Auto Neg Cleaner, ST-1
7	700505	Bracket - Mounting, Air Regulator
8	700206	Filter/Regulator - Air
9	700703	Fitting - Tube, Male Elbow
10	701008	Gauge - Pressure
11	700332	Tubing - .25 O.D. x .040 wall, Blk.
12	700537	Coupler - Socket
13	700347	Setscrew - 6-32 x .188
14	363361	Actuator - Valve
15	701827	Tubing - .125 I.D. x .25 O.D., Clr.
16	701162	Screw - PFH, 6-32 x 1.00
17	702167	Fitting - Barbed, 1/8" NPT to .25
18	363367	Valve - Air
19	702152	Fitting - Barbed, 1/8 x .078 I.D.
20	700090	Screw - SHC, 8-32 x .38
21	700382	Washer - Lock, #8 Int.
22	363362	Bracket - Valve Mounting
23	700879	Tubing - .175 O.D. x .078 I.D.
24	702088	Fitting - Barbed, Tee
25	700885	Fitting - Barbed, w/Gasket, .25 O.D.
26	363349	Retainer - Block, Short
27	363366	Retainer - Block, Long
28	363352	Block - Neg Cleaner, Right
29	700830	Fitting - Barbed, 10-32 x 1/8 O.D. Tube
30	702827	Screw - BHC, 4-40 x .188
31	702020	Washer - Flat, #4
32	700135	Washer - Lock, #4 Int.
33	363351	Block - Neg Cleaner, Left
34	701363	Coupler - Plug
35	701362	Bushing - Reducer
—	363426	Installation Instructions - Neg Cleaner, ST-1

Lucht, Inc., 11201 Hampshire Ave. S., Bloomington, MN 55438-2454 • (612) 829-5444 • Fax (612) 829-7544

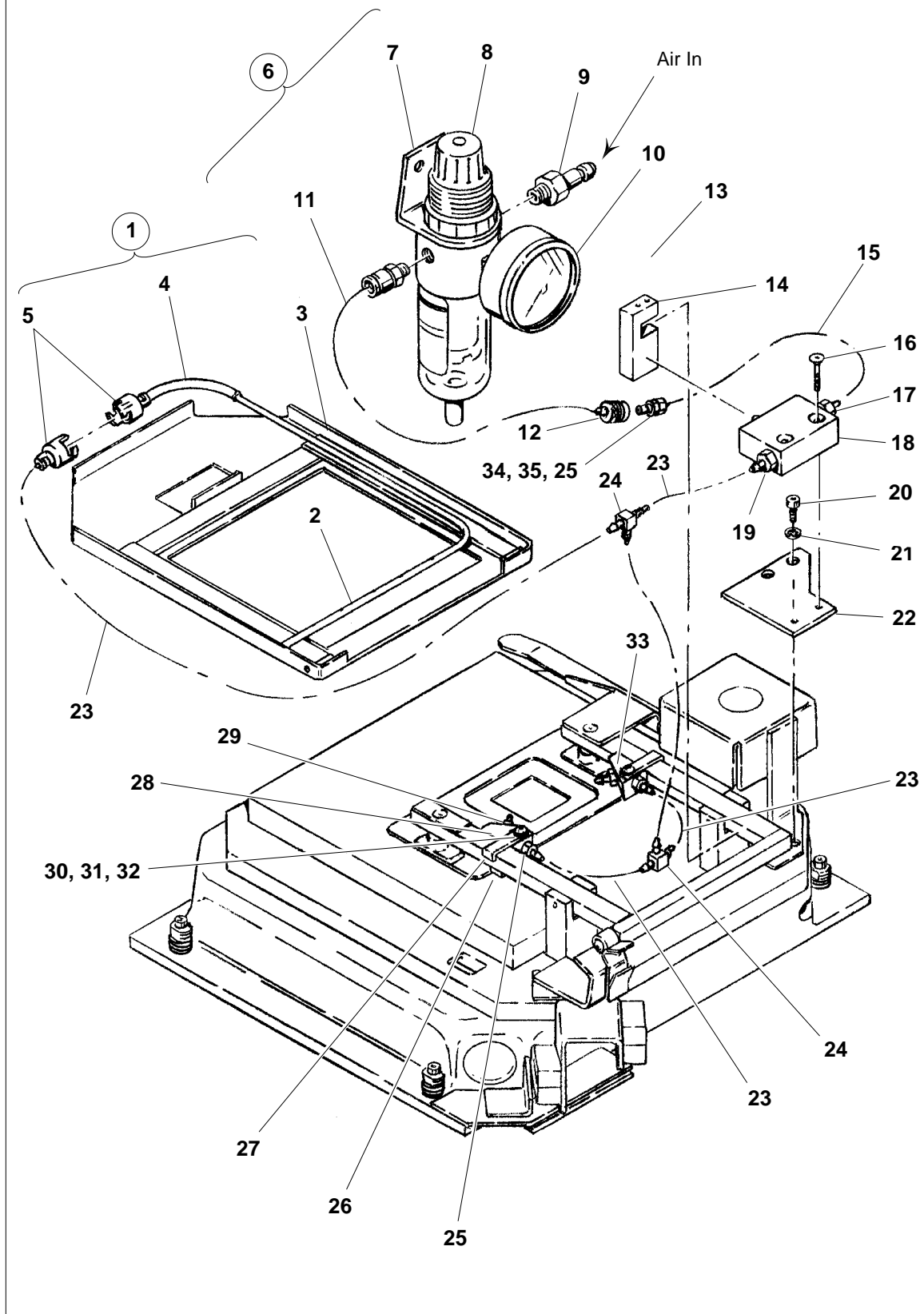


Figure 24 — Automatic Negative Cleaner

Riser Block Assembly

<i>Item #</i>	<i>Part #</i>	<i>Description</i>
1	*	Riser Block Assembly - Negative
2	*	Riser Base Block - Negative
3	250570	Pin - Neg. Mask - Long, Split 70 mm Only
3	250190	Pin - Negative Mask
4	700679	Bushing - Bronze
5	*	Plate - Aperture
6	700331	Screw - BHC, 6-32 X .25 L
7	701195	Pin - Dowel, .12 Dia. X .50 L
8	701184	Pin-Dowel, .12 Dia. X .62 L
9	700974	Setscrew, 8-32 X .25 L
10	361784	Spacer
11	361357	Tape - Transfer, 1/2" Wide X 4 Ft
12	700880	Tape - Transfer, 1" Wide Roll
13	700262	Plunger - Ball, 10-32 X .516 L
14	702184	Spring - Extension
15	701635	Spring - Extension, Split 70 mm Only
16	110262	Blade - Cropping
17	100219	Trip Arm/Pin Assembly - Split 70 mm Only
18	290260	Trip Arm Assembly
18	290261	Trip Arm - Split 70 mm Only
19	150190	Filter Tray Assembly
20	700433	Magnet - Ceramic (Split 70 mm Only)
21	250408	Pivot Arm Assembly - Split 70 mm Tee
22	361434	Pivot Arm Ass'y - 46 mm, Split 70 mm Bdrd & Bdrls
22	361437	Pivot Arm Assembly - Ideal
22	361438	Pivot Arm Assembly - 70 mm
23	*	Hold Down Plate Assembly - Negative
24	*	Plate - Negative Hold Down
25	701701	Catch - Ball Stud
26	701721	Nut - Hex, Lock, 4-40

Lucht, Inc., 11201 Hampshire Ave. S., Bloomington, MN 55438-2454 • (612) 829-5444 • Fax (612) 829-7544

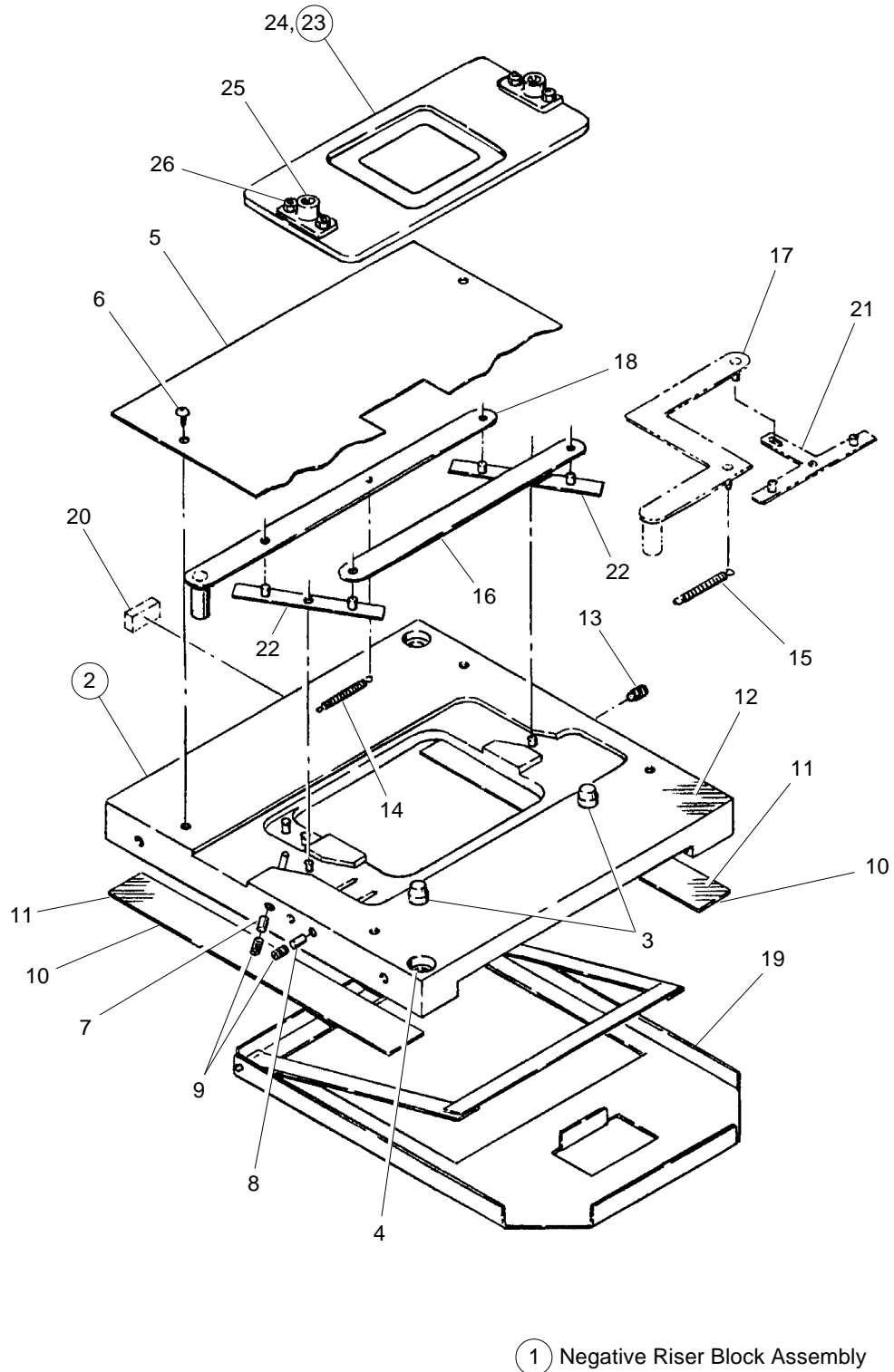


Figure 25 — Riser Block Assembly