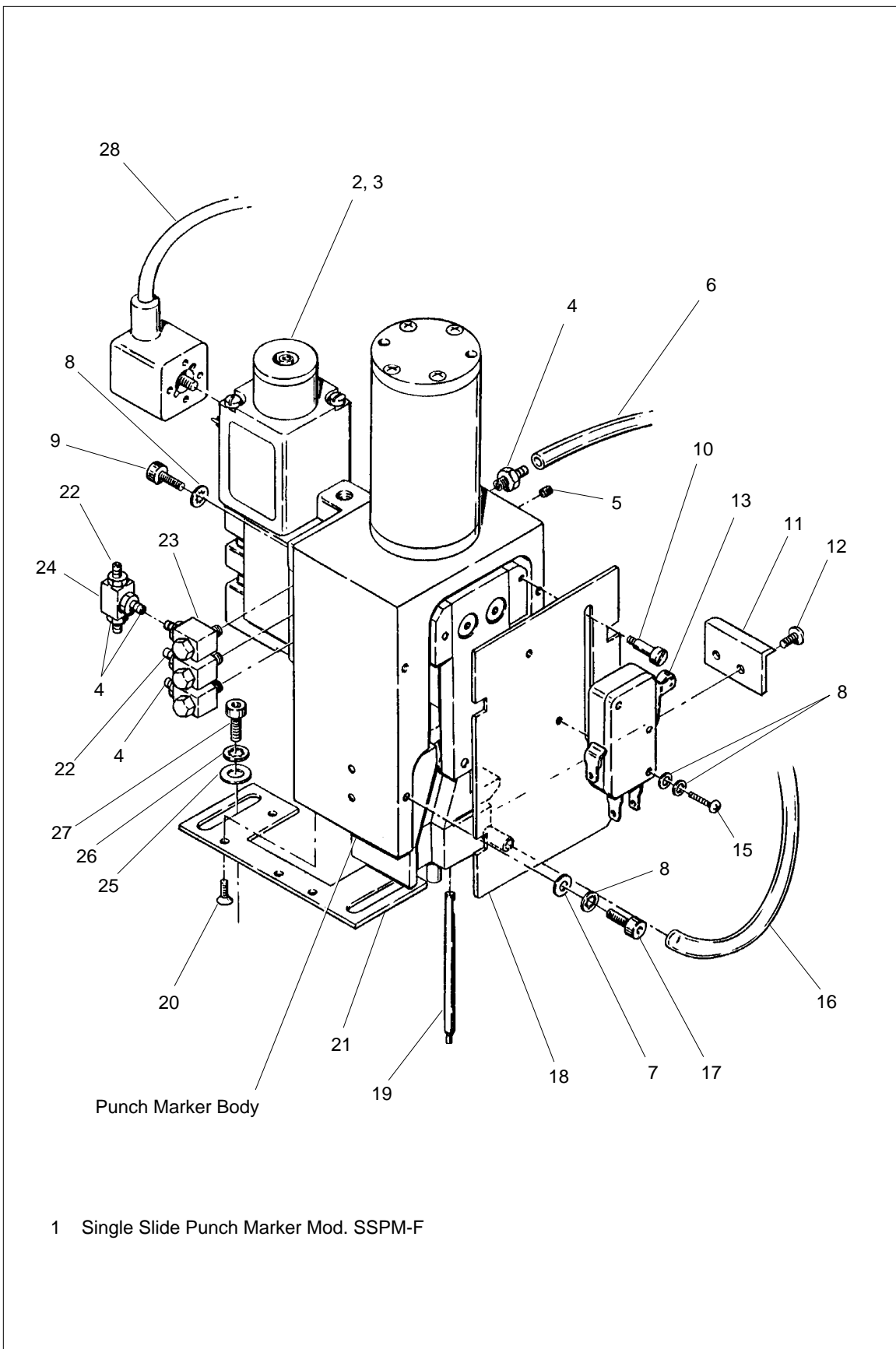


SSPM Punch Marker Parts

Order parts by Lucht part number, description and quantity desired — not by item number. Individual parts that are part of a larger assembly are indented and listed under the assembly description. If the assembly number is ordered, all parts indented under it will be included in the order.

The Punch Marker body is not a serviceable item. If parts within the body require replacement, return the complete Punch Marker Assembly number 361226 to the factory for exchange.

Item #	Part #	Description
1	361226	Single Slide Punch Marker Assembly
2	702692	Solenoid Valve Assembly - 115 VAC
2	704819	Solenoid Valve Assy - 24VDC
3	702639	Solenoid Coil Assembly, 115 VAC
3	706215	Solenoid Coil Assembly, 24 VDC
4	700830	Fitting - Barbed, .12 OD
5	701776	Screw - Set, 4-40 x .12 L
6	700879	Tubing - Clear, .09 ID x .16 OD
7	702020	Washer - Flat, # 4
8	700135	Washer - Lock, Int. # 4
9	706302	Screw - SHC, 4-40 x .38 L
10	702641	Screw - Shoulder, .125 x .312, 4-40
11	361227	Bracket - Bordered Prints Only
12	700360	Screw - SBH, 2-56 x .187 L, Bdrd. Only
13	702529	Switch - Snap Action
14	361248	Plate - Mounting, Switch
15	701226	Screw - SHC, 2-56 x .50 L
16	700332	Tubing - Clear, .12 ID x .250 OD
17	706302	Screw - SHC, 4-40 x .375 L
18	361234	Housing - Punch, Left Side
19	361218	Punch Pin
20	702526	Screw - PFH, 4-40 x .25 L
21	361232	Plate - Base, Punch Housing
22	700885	Fitting - Barbed, .25 OD
23	701374	Fitting - Elbow
24	701253	Fitting - Tee, Female
25	700605	Washer - Flat, # 6
26	700600	Washer - Lock, Int. # 6
27	700700	Screw - SHC, 6-32 x .375 L
28	702691	Cord Assembly
	701352	Connector - Butt
	700205	Rectifier - Bridge
	703932	Resistor - Power, 1500 Ohm, 25 Watt, Fixed



1 Single Slide Punch Marker Mod. SSPM-F

Figure 4 — SSPM Punch Marker Parts