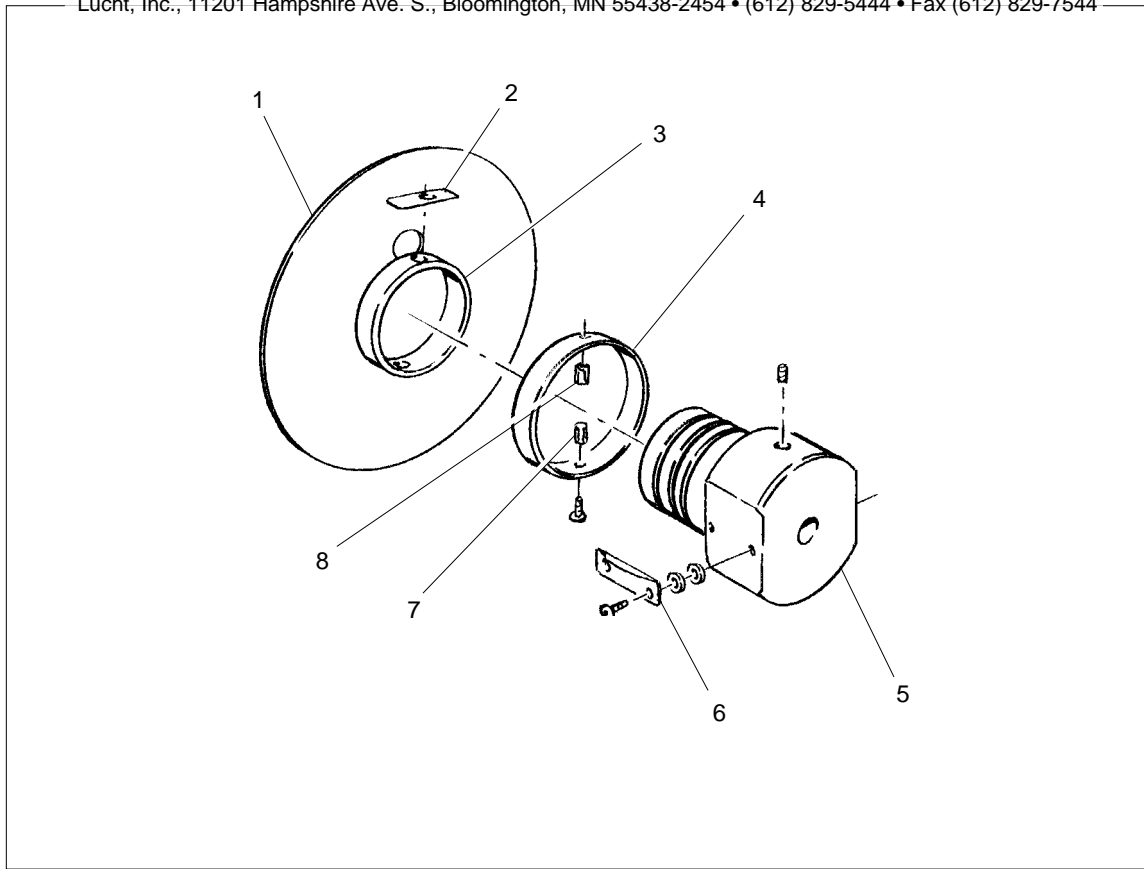


Lucht, Inc., 11201 Hampshire Ave. S., Bloomington, MN 55438-2454 • (612) 829-5444 • Fax (612) 829-7544

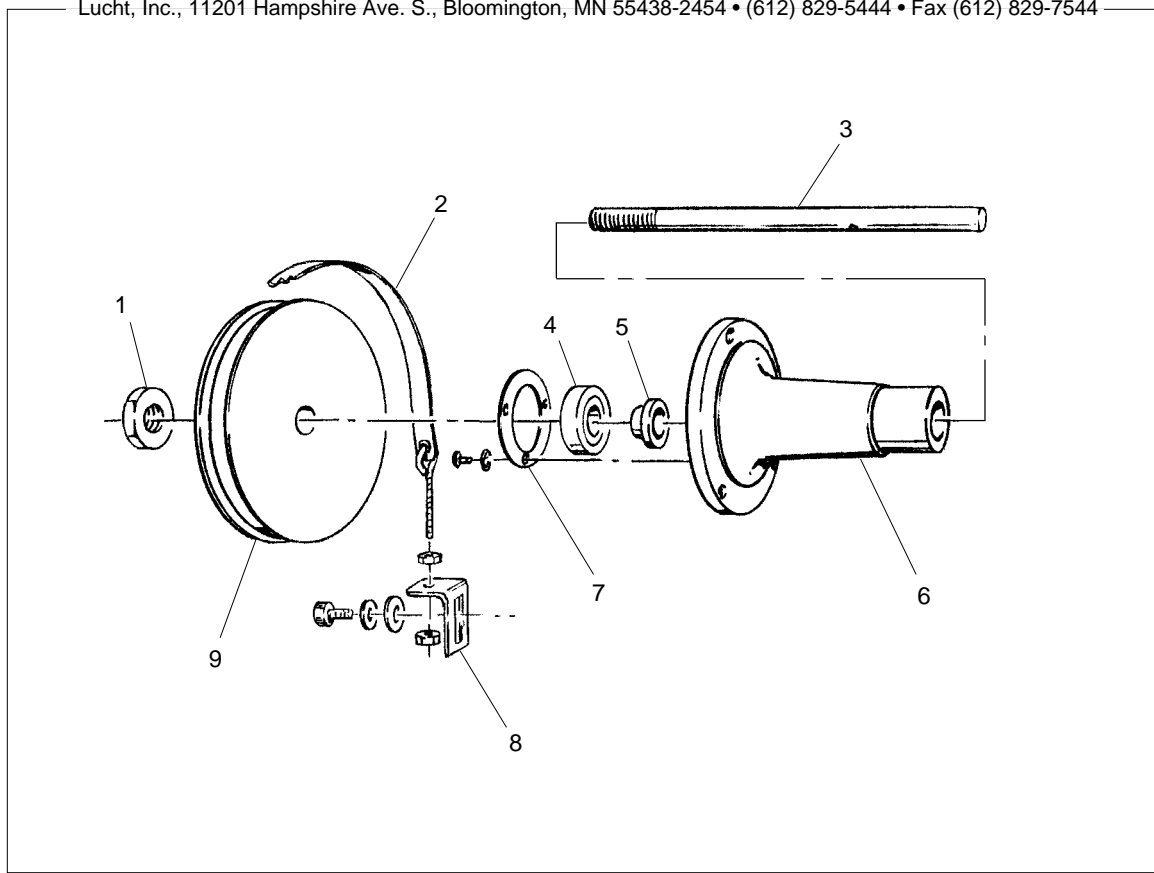


**Figure 14** — Paper Core Assembly

### **Paper Core Assembly Parts List**

Item	Part #	Description
1	370245	FLANGE-TAKEUP & SUPPLY
2	705209	SPRING-FLAT
3	370244	FLANGE-INNER RING
4	370372	RING-SUPPORT, CORE
5	370356	ROLLER-TAKEUP & SUPPLY
6	705179	CORE-PLATE
7	370364	PIN-CORE INDEX
8	370211	PIN-TAKEUP & SUPPLY

Lucht, Inc., 11201 Hampshire Ave. S., Bloomington, MN 55438-2454 • (612) 829-5444 • Fax (612) 829-7544

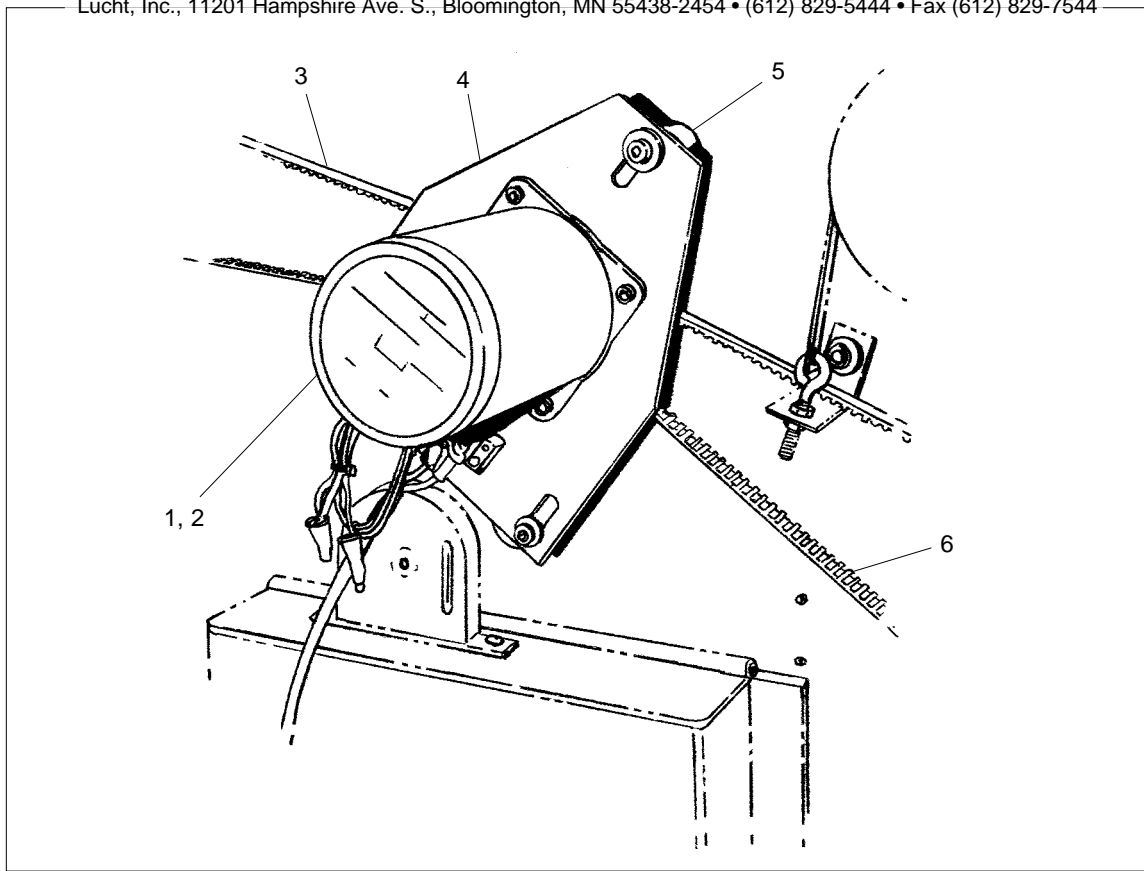


**Figure 15** — Supply Shaft Assembly

### Supply Shaft Assembly Parts List

Item	Part #	Description
1	370164	NUT-TENSION
2	110244	BELT ASSEMBY-BRAKE
3	370385	SHAFT-M5 SUPPLY
4	700802	BEARING-BALL
5	370243	SEAT-BEARING
6	370354	HUB-TAKEUP/SUPPLY
7	370371	RETAINER-BEARING
8	363818	BRACKET-SPRING
9	370403	DRUM-BRAKE, THREADED

Lucht, Inc., 11201 Hampshire Ave. S., Bloomington, MN 55438-2454 • (612) 829-5444 • Fax (612) 829-7544

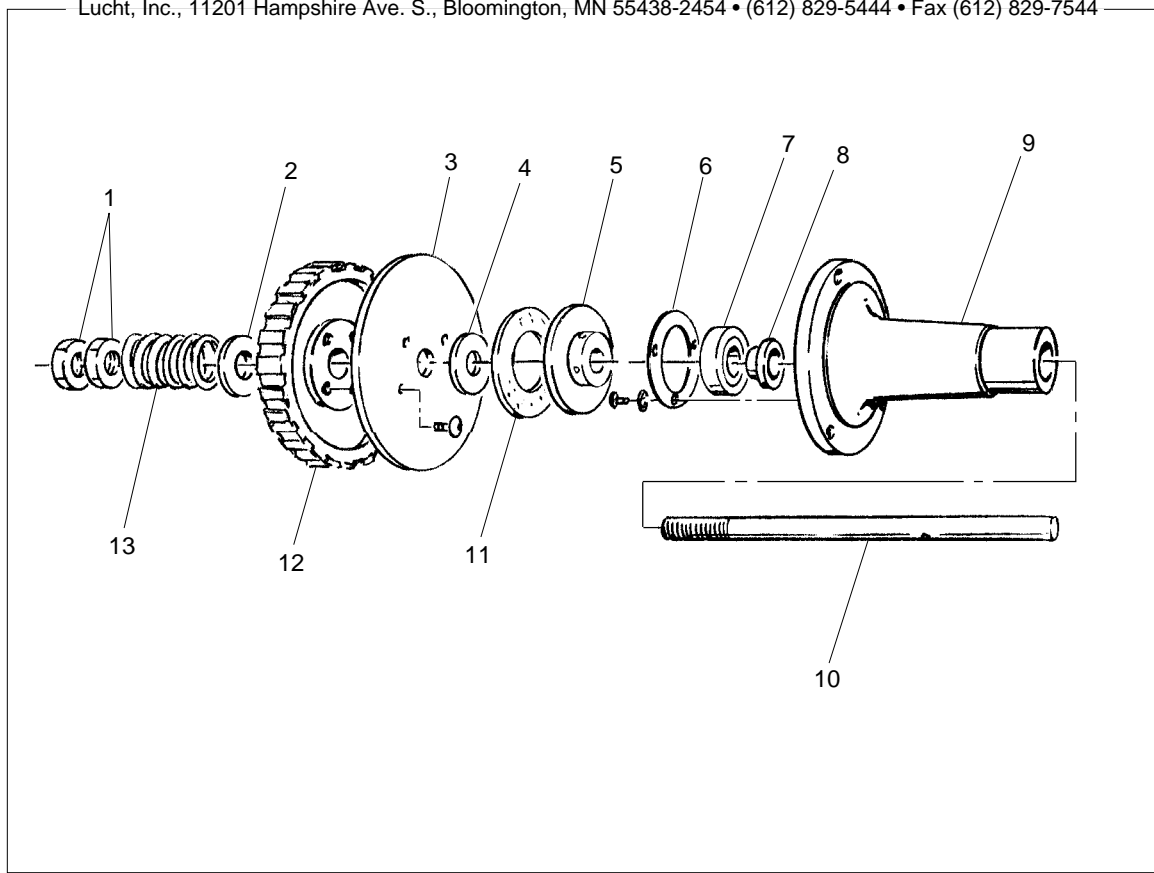


**Figure 16** — Drive Motor and Belts

### Drive Motor and Belts Parts List

Item	Part #	Description
1	370762	MOTOR ASSEMBLY-STEPPER
2	370237	PULLEY-STEPPER MOTOR
3	705139	BELT-TIMING
4	370231	MOUNTING BRACKET-MOTOR
5	370235	SPACER
6	705138	BELT-TIMING

Lucht, Inc., 11201 Hampshire Ave. S., Bloomington, MN 55438-2454 • (612) 829-5444 • Fax (612) 829-7544

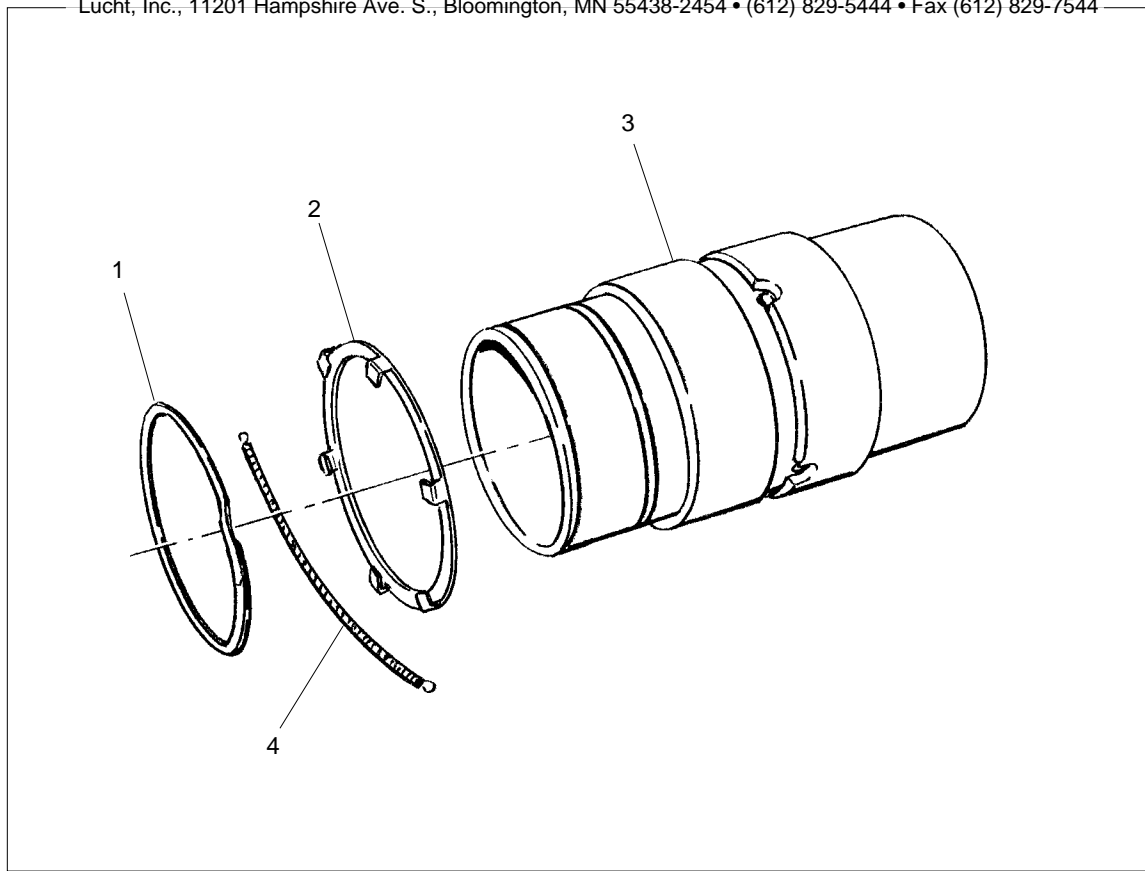


**Figure 17 — Drive Roller Shaft Assembly**

### **Drive Roller Shaft Assembly Parts List**

Item	Part #	Description
1	370164	NUT-TENSION
2	371162	WASHER-FLAT, CLUTCH
3	370238	FLANGE-PULLEY, TAKEUP
4	370237	WASHER-CENTERING
5	370227	DISK-CLUTCH, INNER
6	370371	RETAINER-BEARING
7	700802	BEARING-BALL
8	370243	SEAT-BEARING
9	370354	HUB-TAKEUP/SUPPLY
10	370233	SHAFT-TAKEUP ROLLER
11	705181	DISK-GREASE PAD
12	370234	PULLEY ASSY-TAKEUP
13	280101	SPRING-COMP

Lucht, Inc., 11201 Hampshire Ave. S., Bloomington, MN 55438-2454 • (612) 829-5444 • Fax (612) 829-7544

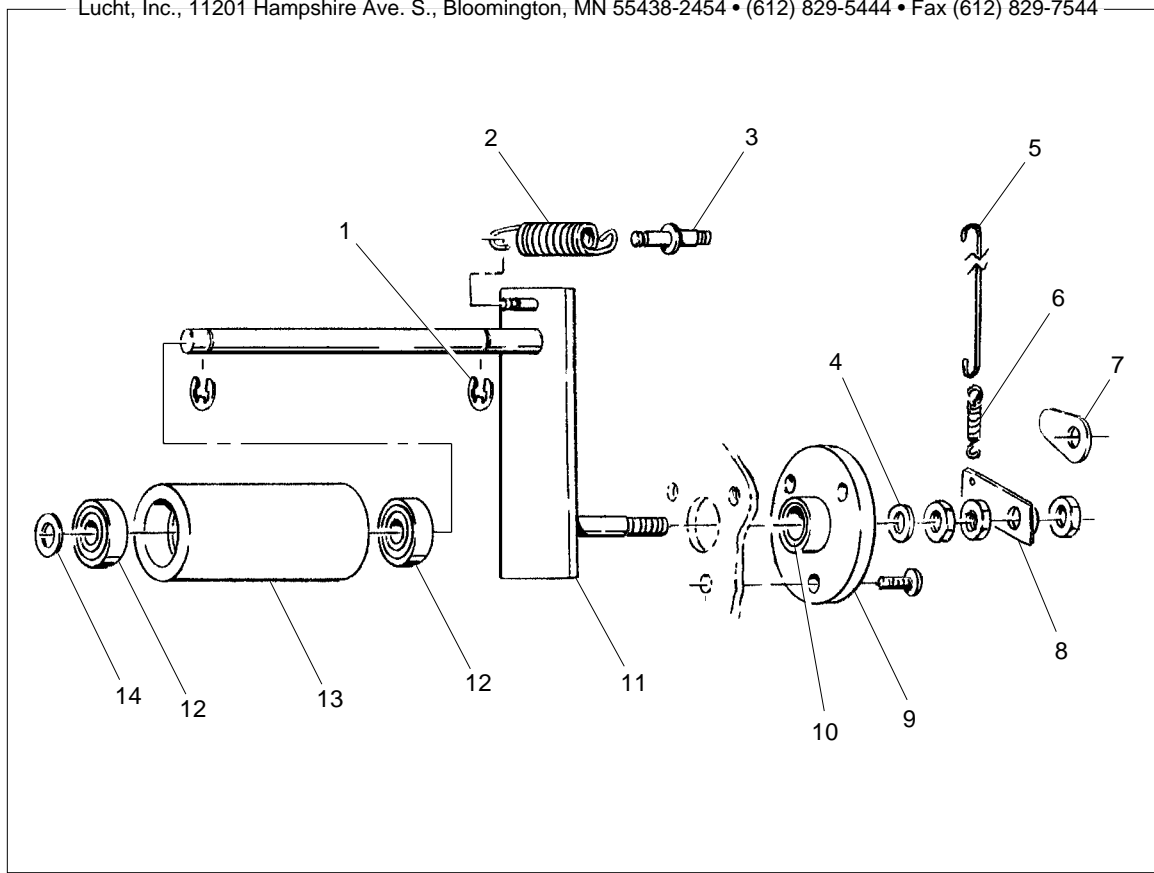


**Figure 18 — Drive Roller Assembly**

### **Drive Roller Assembly Parts List**

<b>Item</b>	<b>Part #</b>	<b>Description</b>
1	705196	RING-RETAINING, EXT, SPIRAL
2	705183	FLANGE-M-5
3	370226	ROLLER ASSY-DRIVE, M5
4	705171	SPRING-BELT

Lucht, Inc., 11201 Hampshire Ave. S., Bloomington, MN 55438-2454 • (612) 829-5444 • Fax (612) 829-7544

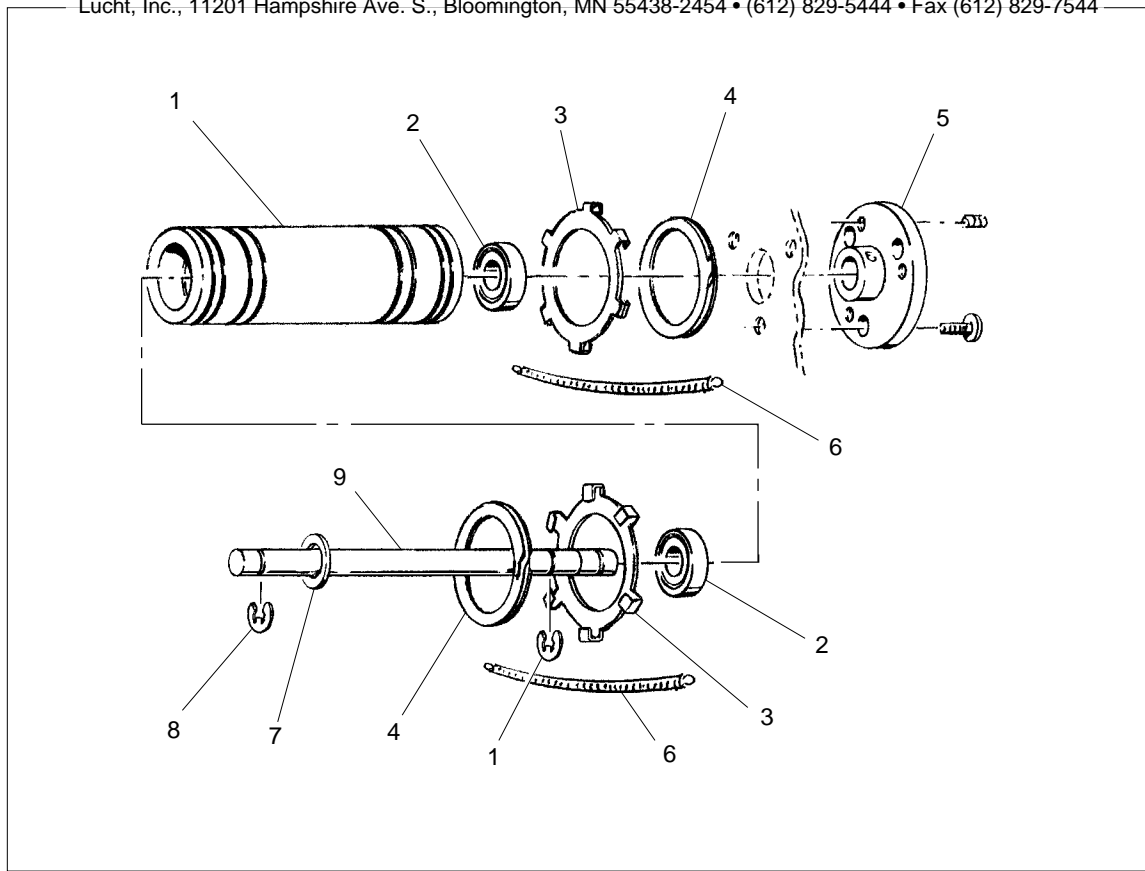


**Figure 19 — Dancer Roller Assembly**

### **Dancer Roller Assembly Parts List**

Item	Part Number	Description
1	700707	RING-RETAINER
2	705210	SPRING-DANCER ARM
3	370206	PIN-SPRING
4	705034	GROMMET
5	370592	LINK-BELT, BRAKE
6	705125	SPRING-BRAKE BELT
7	370347	FINGER-TENSION NUT (TAKE UP DANCER SHAFT ONLY)
8	370330	ARM ASSY-BRAKE (SUPPLY DANCER SHAFT ONLY)
9	370357	ANCHOR-DANCER ARM
10	705034	BUSHING-FLANGE
11	370229	ARM ASSY-DANCER
12	705169	BEARING-ROLLER M-5
13	370376	ROLLER-DANCER
14	701660	WASHER-FLAT

Lucht, Inc., 11201 Hampshire Ave. S., Bloomington, MN 55438-2454 • (612) 829-5444 • Fax (612) 829-7544

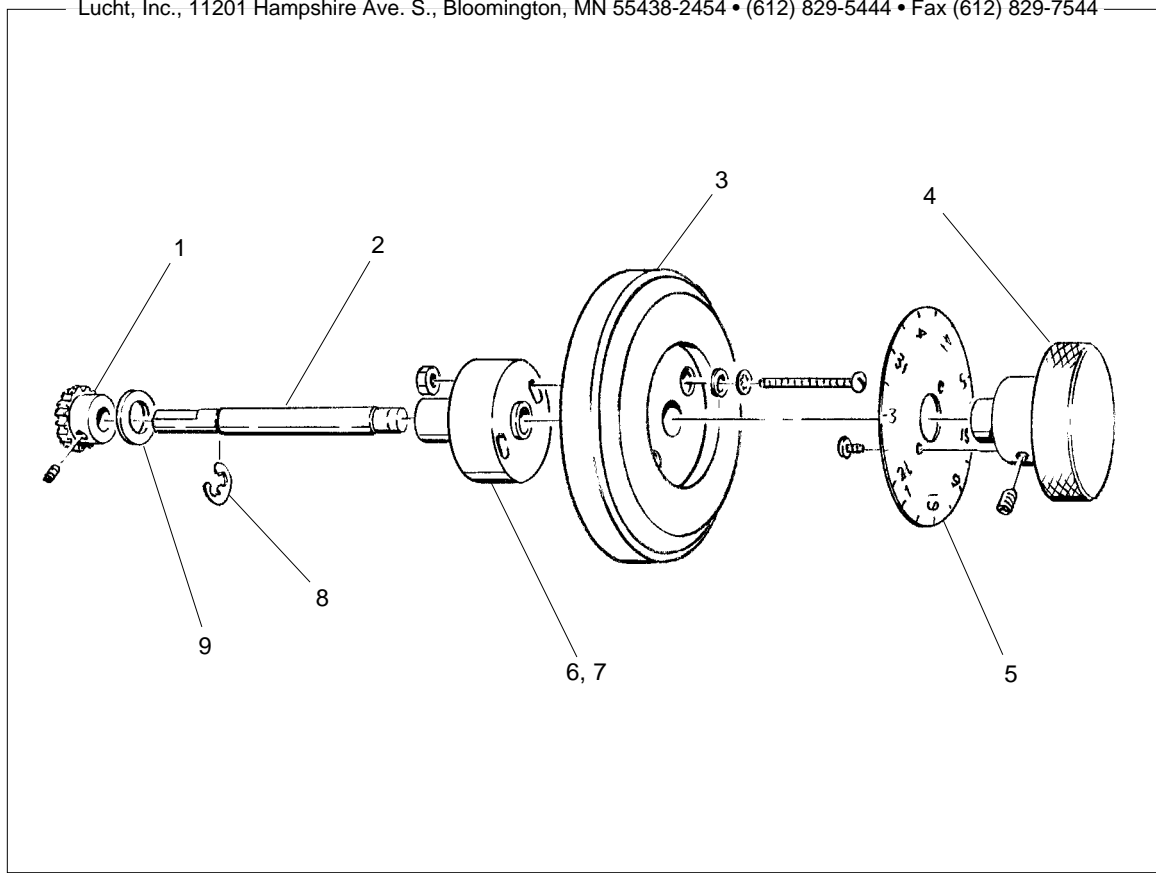


**Figure 20** — Idler Roller Assembly

### **Idler Roller Assembly Parts List**

Item	Part Number	Description
1	370375	ROLLER-PAPER, ADJ
2	705169	BEARING-BALL
3	374189	FLANGE-ROLLER, GUIDE
4	705195	RING (SPIRAL LOCK)
5	370228	ANCHOR-GUIDE
6	705206	SPRING-BELT
7	701660	WASHER-FLAT
8	700707	RING-RETAINER
9	370384	SHAFT, FIXED ROLLER

Lucht, Inc., 11201 Hampshire Ave. S., Bloomington, MN 55438-2454 • (612) 829-5444 • Fax (612) 829-7544



**Figure 21 — Mask Adjusting Shaft Assembly**

### **Mask Adjusting Shaft Assembly Parts List**

Item	Part #	Description
1	705184	GEAR
2	370382	SHAFT-.312D, 3.56L, SST
3	370345	LIGHT TRAP-MASK KNOB
4	370358	KNOB-ADJUSTMENT
5	370377	PLATE-SCALE, M-5
6	370394	SUPPORT
7	705027	BUSHING-BRONZE
8	706198	RING-RETAINING
9	371165	WASHER-FLAT

## Lens Carrier Parts List

Item	Part #	Description
1	705176	SPRING-BALANCE
2	370262	BLOCK-BEARING, DUAL
3	700810	BEARING-BALL, LINEAR
4	370253	BLOCK-DETENT
5	370254	PIN-DETENT
6	700728	PIN-SPRING
7	370365	PIN-PIVOT, LEVER
8	705187	LEVER
9	705205	SPRING
10	370404	BAFFLE-CAPPING, SHUTTER
11	370020	PLATE-LENS CARRIER
12	370198	BAFFLE-LENS PLATE
13	705194	SPRING-RETAINER, LENS
14	705215	STANDOFF
15	*	LENS
16	370120	RING, LENS
17	370321	WASHER-YOKE, BRACKET
18	370257	BAFFLE-CARRIAGE, LENS, LEFT
19	370258	BAFFLE-CARRIAGE, LENS, RIGHT
20	370360	SCREW-BRASS, 7/16-28
21	370359	CARRIER-LENS, M-5
22	370391	SHOE-GUIDE, LENS
23	370362	NUT-LEVEL, CARRIAGE
24	370379	SHAFT-ROLLER
25	370393	SPRING-LEAF
26	705304	RING-RETAINER
27	705199	ROLLER-LENS CARRIAGE

\* Contact Lucht Inc. with a specific description when ordering this part.



## Capping Shutter Parts List

Item	Part #	Description
1	370776	PLATE WLDMT-SHUTTER
2	705472	SOLENOID-ROTARY,111VDC,45DEG,L
3	702001	SPACER-ROUND,6-32ID,.25 OD, .250L,NYLON
4	701434	O RING-.125ID,.062 X SECT
5	702020	WASHER-FLAT,NO.4,BLK
6	701732	NUT-HEX,LOCK,5-40,NYLON INSERT
7	705432	PACER-ROUND,.140ID,.250 OD, .187L,NYLON
8	371133	EAF-CAPPING SHUTTER
9	701101	WASHER-FLAT,.141ID,.375 OD, .062THK,NYLON
10	700780	SCREW-CAP,SKBHC,3-48X.12,BLK
11	370405	SUPPORT-FILTER MECH
12	700374	NUT-HEX,STD,8-32,BLK
13	705055	TERMINAL STRIP-4POSN
14	700079	SCREW-CAP,SKBHC,6-32X.38,BLK
15	700600	WASHER-LOCK,INT,NO.6,BLK
16	701046	TERMINAL-RING,TONGUE,16-14AWG
17	702647	TERMINAL-SPADE TONGUE,26-22AWG
18	700851	TERMINAL-SPADE TONGUE, 22-18AWG
19	700524	CABLE TIE-LOCKING,1.25D MAX, NO.8 SCREW HOLE
20	701554	SCREW-MCH,PPH,4-40X.38,BLK
21	700836	SCREW-CAP,SKBHC,10-32X.25,BLK
22	706538	NUT-KEP,10-32,BLK
23	705344	TAPE-FOAM,ADHESIVE,.50WX.37TH
24	700800	TUBING-HEAT SHRINK,.500ID,BLK
25	705051	CONNECTOR-PLUG,004PIN
26	370255	MOUNT-CONNECTOR
27	705057	CONNECTOR-RECEPTACLE,004PIN
28	700331	SCREW-CAP,SKBHC,6-32X.25,BLK
29	700135	WASHER-LOCK,INT,NO.4,BLK
30	706535	NUT-KEP,6-32,BLK
31	370404	BAFFLE-CAPPING,SHUTTER
32	700253	WIRE-18AWG,STRD,BLACK
33	700248	WIRE-18AWG,STRD,RED
34	700490	WIRE-18AWG,STRD,YELLOW
35	700249	WIRE-18AWG,STRD,GREEN
36	701718	SLEEVE-EXPANDABLE,.15-.50D,BLK
37	700068	SCREW-CAP,SKBHC,4-40X.25,BLK
38	701368	TAPE-FOAM ADHESIVE,.25W, .188THK
39	700517	CABLE TIE-MINIATURE,.75D BUNDLE
40	705315	RESISTOR-150 OHM,20W
41	704459	ADHESIVE-SEALANT,RTV,BLK,3 OZ
42	701558	WIRE-JUMPER, 22AWG, SOLID

Lucht, Inc., 11201 Hampshire Ave. S., Bloomington, MN 55438-2454 • (612) 829-5444 • Fax (612) 829-7544

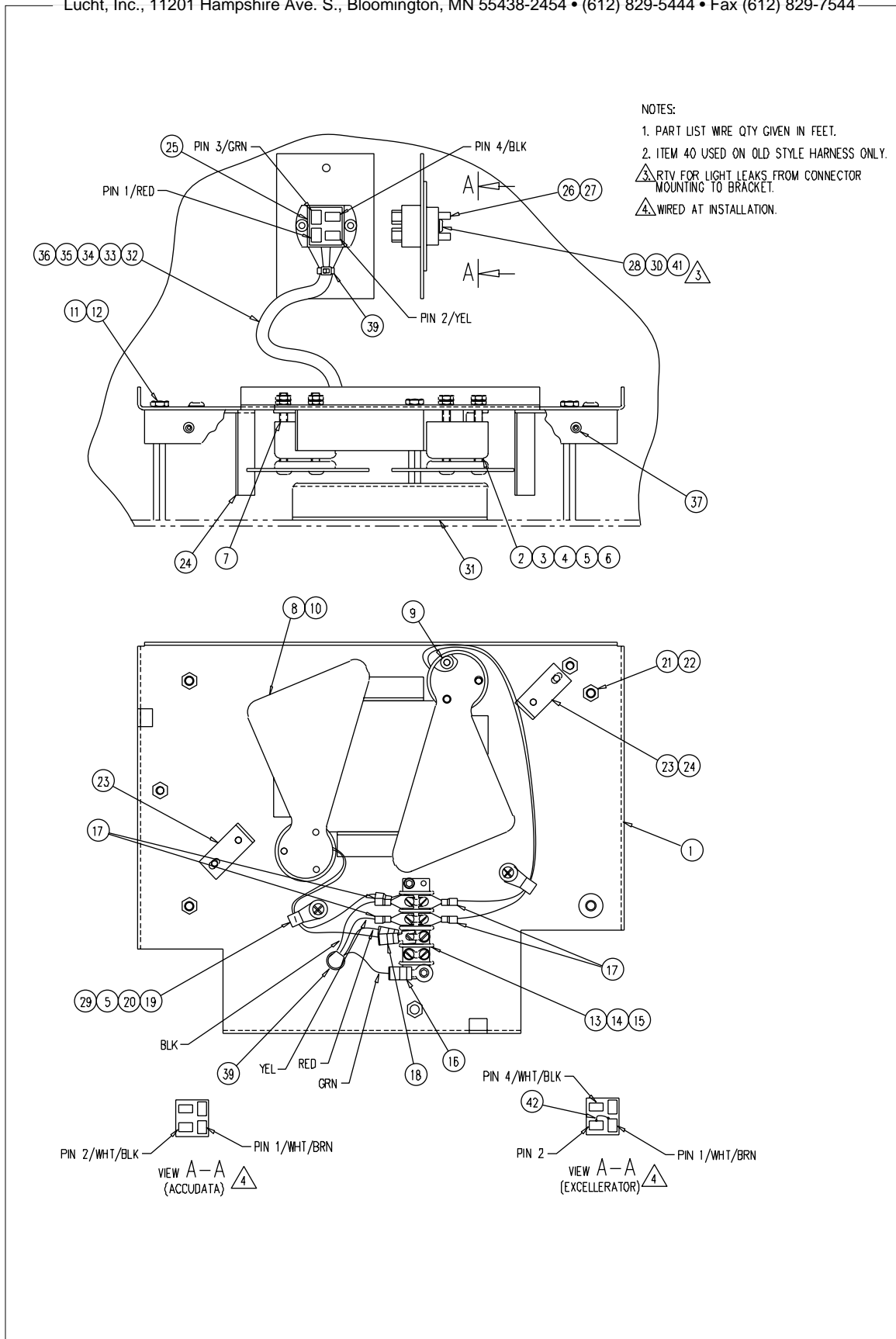


Figure 23 — Dual Capping Shutter

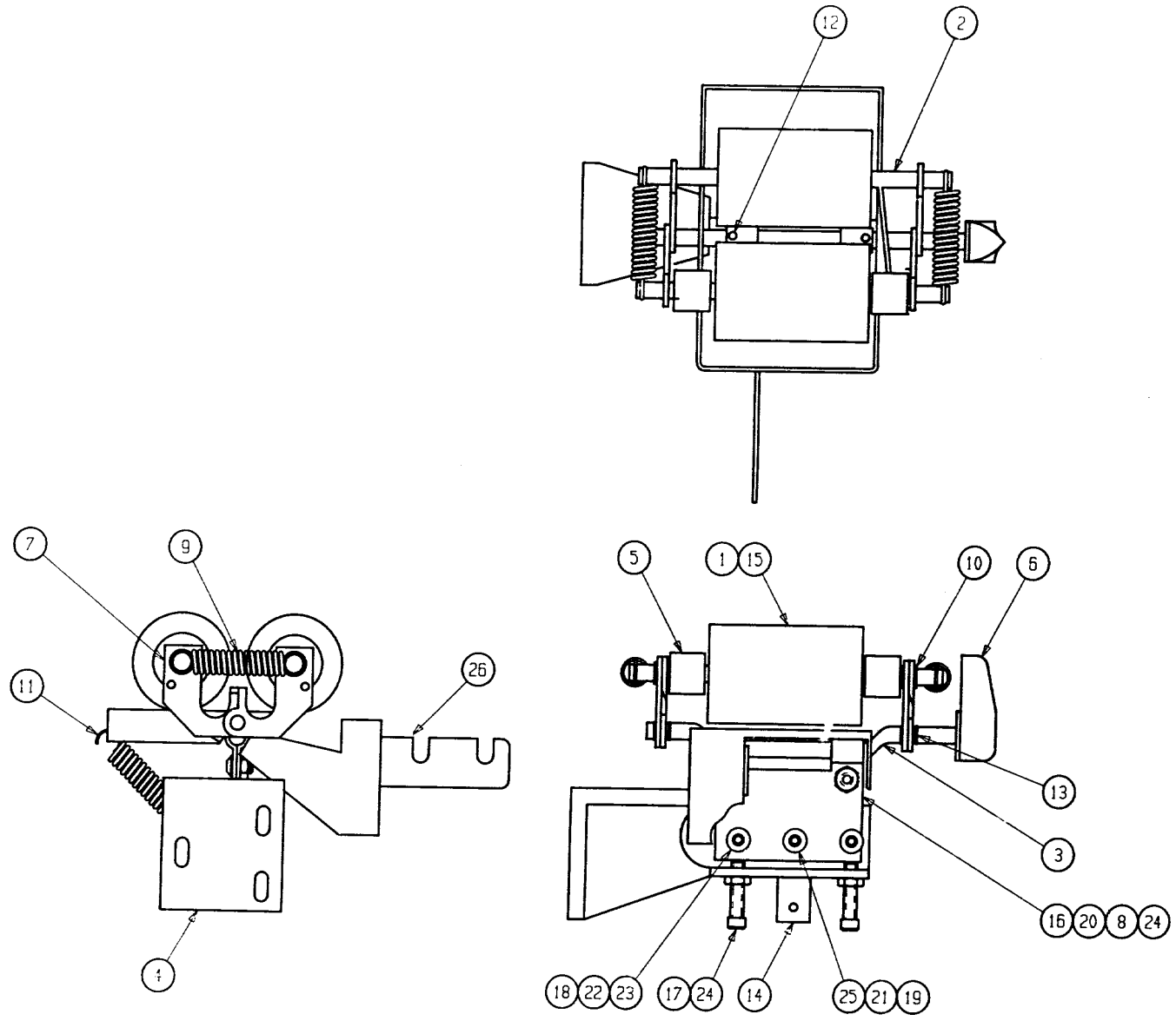
**Lens Carriage Pan Assembly**

<b>Item</b>	<b>Part #</b>	<b>Description</b>
1	370246	PAN-CARRIAGE,LENS
2	370336	BLOCK-MOUNT,CARRIAGE
3	370337	BLOCK-MOUNT,CARRIAGE
4	370342	COLLAR-CARRIAGE
5	370344	BAR-DETENT,CARRIAGE
6	370321	WASHER-YOKE,BRACKET
7	370380	SHAFT-.4988D,12.00L,303SST
8	705201	SHAFT-.7495/.7490OD,12.75L, 440SST,RC50-55
9	703309	PLUG-HOLE,1.00D,BLACK
10	700730	PLUG-HOLE,.250D
11	701782	SPACER-ROUND,.257ID,.562 OD, .050THK,CRS
12	700566	SCREW-SET,SK KCP,8-32X.25,BLK
13	702990	SCREW-SET,SK CP,8-32X.75,BLK, LOCK
14	700339	SCREW-CAP,SK,8-32X.50,BLK
15	700081	SCREW-CAP,SKBHC,8-32X.38,BLK
16	706163	SCREW-CAP,SKBHC,1/4-20X .50,BLK
17	700382	WASHER-LOCK,INT,NO.8,BLK
18	700598	WASHER-LOCK,INT,1/4,BLK



**Pressure Roller Assembly**

Item	Part #	Description
1	370381	ROLLER-PRESSURE
2	370386	SHAFT-PRES,ROLLER
3	370389	SHAFT-ECCENTRIC
4	370395	BRACKET WLDMT-SUPPORT,PUNCH ROLLER
5	371086	SPACER-ROUND,.328ID,.625 ODX .600L
6	705185	KNOB-BLACK,PVC W/SET SCREW
7	705189	LINK-PRESSURE ROLLER
8	705202	PLATE-SUPPORT
9	705213	SPRING-PRES,ROLLER
10	701320	RING-RETAINING,EXT,.312D SHAFT,.29D GROOVE X .029W
11	705124	SPRING-SW BRACKET
12	701285	PIN-SPRING,.062D..312L
13	700918	RING-RETAINING,EXT,.25D SHAFT, .23D GROOVE X.029W
14	705136	ANCHOR-SPRING
15	705017	BEARING-BALL,NICE 3003DS
16	700081	SCREW-CAP,SKBHC,8-32X.38,BLK
17	700562	SCREW-CAP,SK,8-32X.75,BLK
18	700563	SCREW-CAP,SK,10-32X.38,BLK
19	700695	SCREW-CAP,SK,10-32X.75,BLK
20	700597	WASHER-LOCK,EXT,NO.8,BLK
21	700138	WASHER-LOCK,EXT,NO.10,BLK
22	700601	WASHER-LOCK,INT,NO.10,BLK
23	700386	WASHER-FLAT,NO.10,SAE,BLK
24	700374	NUT-HEX,STD,8-32,BLK
25	700132	NUT-HEX,STD,10-32,BLK
26	705174	BRACKET-SWITCH

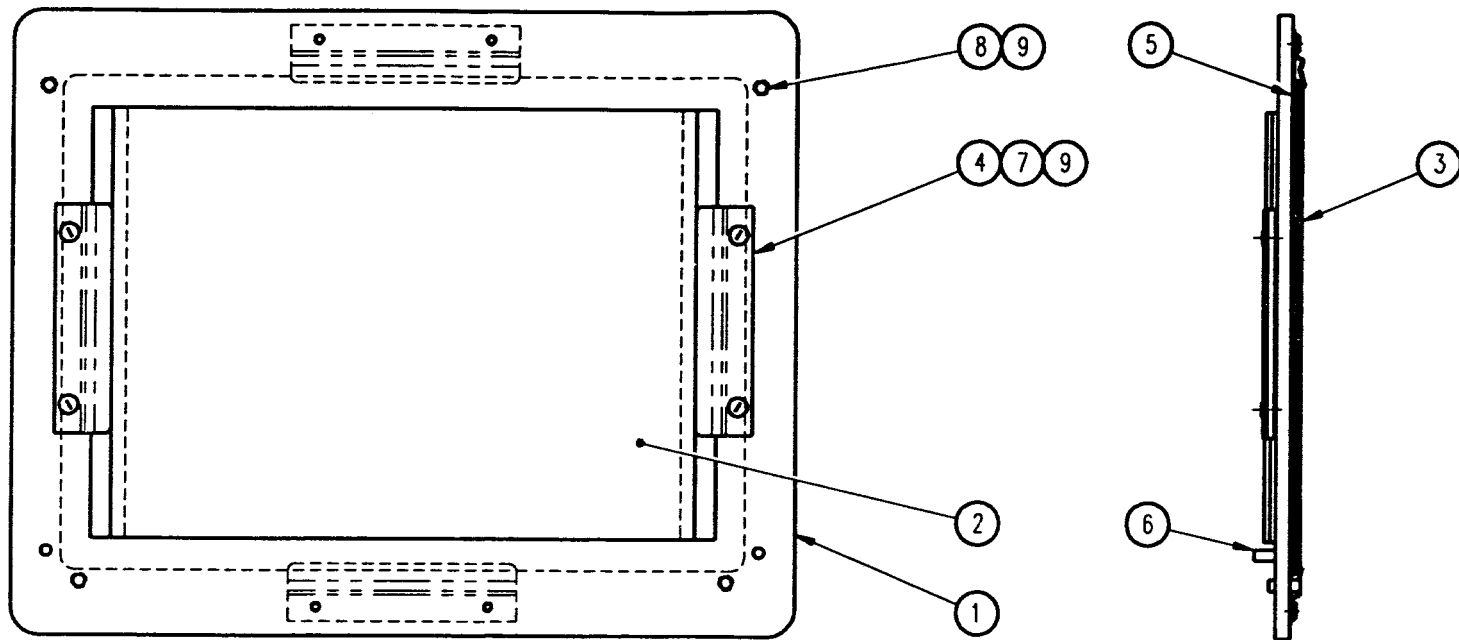


371102 Rev. A

Figure 25 — Pressure Roller Assembly

## ***Neg Glass Plate Assembly***

<b>Item</b>	<b>Part #</b>	<b>Description</b>
1	370313	PLATE-BASE,NEGATIVE
2	370314	DIFFUSER-MASK,8S
3	705121	PLATE-GLASS,NEGATIVE,8S
4	373804	CLIP-PLATE,GLASS,8S
5	705129	SPACER-NEG GLASS
6	705347	PIN-DOWEL,.093D,.312L
7	701199	SCREW-CAP,SKBHC,2-56X.12,BLK
8	705297	SCREW-SET,SK CP,6-32X.25
9	701488	ADHESIVE-SEALANT,THREAD LOCKING,MEDIUM STRENGTH



370683 Rev. D

Figure 26 — Neg Glass Plate Assembly

## ***Pneumatic Neg Hold Down Assembly***

<b>Item</b>	<b>Part #</b>	<b>Description</b>
1	705099	VALVE ASSY-110VDC
2	705100	KIT-PLATE,END,MAC VALVE
3	701261	PLUG-PIPE,PRESSURE,1/4NPT
4	702047	TAPE-THREAD SEAL,.50W,TEFLON
5	702040	SCREW-CAP,SK,10-32X1.25,BLK
6	701488	ADHESIVE-SEALANT,THREAD LOCKING,MEDIUM STRENGTH
7	700616	FITTING-TEE,MALE,.25 OD X 1/4NPT
8	700703	FITTING-ELBOW,MALE,.25 OD X 1/4NPT
9	700150	FITTING-ELBOW,MALE,.25 OD X 1/4NPT
10	701790	CONNECTOR-PLUG,002PIN
11	700664	TERMINAL-CONTACT,PIN,22-18AWG
12	701791	CONNECTOR-RECEPTACLE,002PIN
13	700238	TERMINAL-CONTACT,SOCKET, 22-18AWG
14	701827	TUBING-PEU,.125ID,.062W,BLACK
15	701661	REGULATOR-PRESSURE,300PSI MAX, 1/8NPT
16	700505	BRACKET-MOUNTING
17	700601	WASHER-LOCK,INT,NO.10,BLK
18	700554	SCREW-CAP,SKBHC,10-32X.38,BLK
19	120296	VALVE ASSY-CONTROL
20	705118	SEAL-RUBBER
21	700885	FITTING-TUBE,10-32X.25OD, BARBED
22	371175	ROD-UPPER,PEDAL,FOOT
23	706645	NUT-COUPLER,1/4-28X.28,ZINC
24	701232	NUT-JAM,HEX,1/4-28,BLK
25	371174	ROD-LOWER,PEDAL,FOOT
26	370401	YOKE-NEG MASK CARRIER
27	700566	SCREW-SET,SK KCP,8-32X.25,BLK
28	700391	RING-RETAINING,EXT,.375D SHAFT,.352D GROOVE X .029W
29	367812	SHIM-ROUND,.025
30	367813	SHIM-ROUND,.010
31	367814	SHIM-ROUND,.005
32	371202	WASHER-RECT,.281ID,.50X.75X .187THK
33	700386	WASHER-FLAT,NO.10,SAE,BLK

Continued

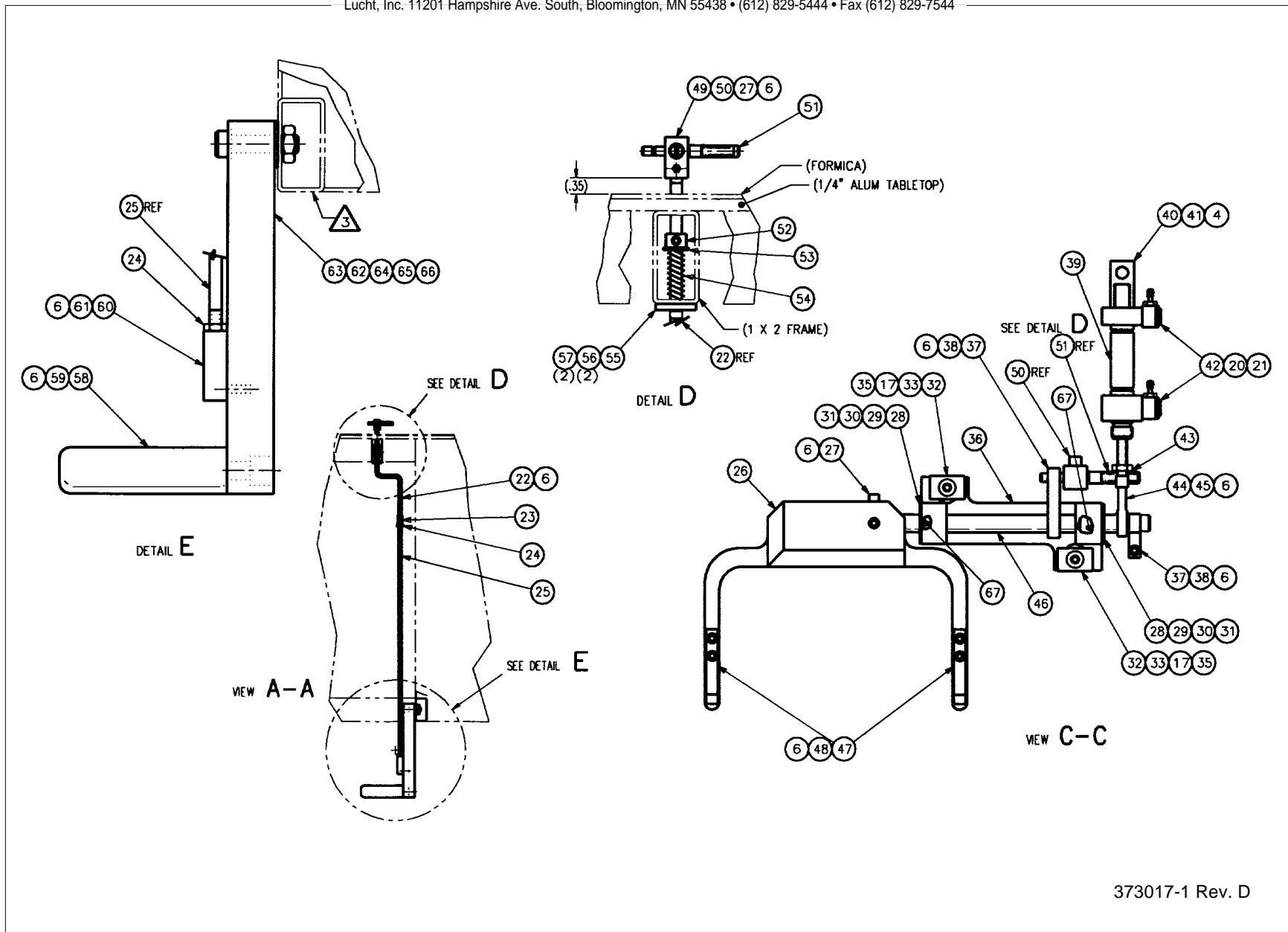


Figure 27 — Pneumatic Neg Hold Down Assembly, 1 of 2

34	701008	GAUGE-PRESSURE,0-60PSI
35	701339	SCREW-CAP,SK,10-32X.88,BLK
36	371217	BLOCK-BEARING, YOKE, UNIBASE
37	371167	ACTUATOR-GATE, NEG
38	700341	SCREW-CAP,SK,8-32X.62,BLK
39	361628	AIR CYLINDER-.438BORE,.50 STROKE,DOUBLE ACTING
40	120417	CLEVIS-PIVOT
41	701696	SCREW-SHL,SK,.25DX.62L,10-24X.38
42	701374	FITTING-ELBOW,.25 ODX10-32, W/2GASKET
43	700132	NUT-HEX,STD,10-32,BLK
44	701666	BEARING-BALL,ROD END,.190 ID, 10-32X.56L
45	705448	SCREW-CAP,SK,10-32X.62,BLK
46	371201	SHAFT-YOKE,NEG,HOLDDOWN
47	705207	CLIP-SPRING,MASK
48	700331	SCREW-CAP,SKBHC,6-32X.25,BLK
49	370335	BLOCK-YOKE
50	705186	CATCH
51	370363	PIN-PULL
52	700526	COLLAR-SET,1/4"
53	701782	SPACER-ROUND,.257ID,.562 OD, .050THK,CRS
54	705212	SPRING-RETURN
55	370139	SPRING-RETAINING,PLT
56	700382	WASHER-LOCK,INT,NO.8,BLK
57	700090	SCREW-CAP,SK,8-32X.38,BLK
58	370145	FOOT PEDAL
59	705338	SCREW-CAP,SK,3/8-16X1.25,BLK
60	370528	END-PIVOT,ROD
61	702826	SCREW-SHL,SK,.25DX.38L,10-24 X.38
62	705079	SCREW-SHL,S,.37D X 1.00L, 5/16-18
63	370135	BAR-PEDAL SWIVEL
64	371166	WASHER-FLAT,.38ID,1.00 OD, .06 THK,NYLON
65	700599	WASHER-LOCK,EXT,5/16,BLK
66	700377	NUT-HEX,STD,5/16-18,BLK
67	705061	BEARING-NEEDLE,.375ID,.562 OD, .50L
68	700399	FITTING-TUBE,FEMALE,.25 OD X 1/4FPT
69	320107	WASHER-SQUARE,.560ID,.880SQ, .105THK,STL
70	700310	COUPLER-PLUG,MALE,1/4NPT
71	700138	WASHER-LOCK,EXT,NO.10,BLK
72	700206	FILTER-REGULATOR,INTEGRAL 1/4NPT

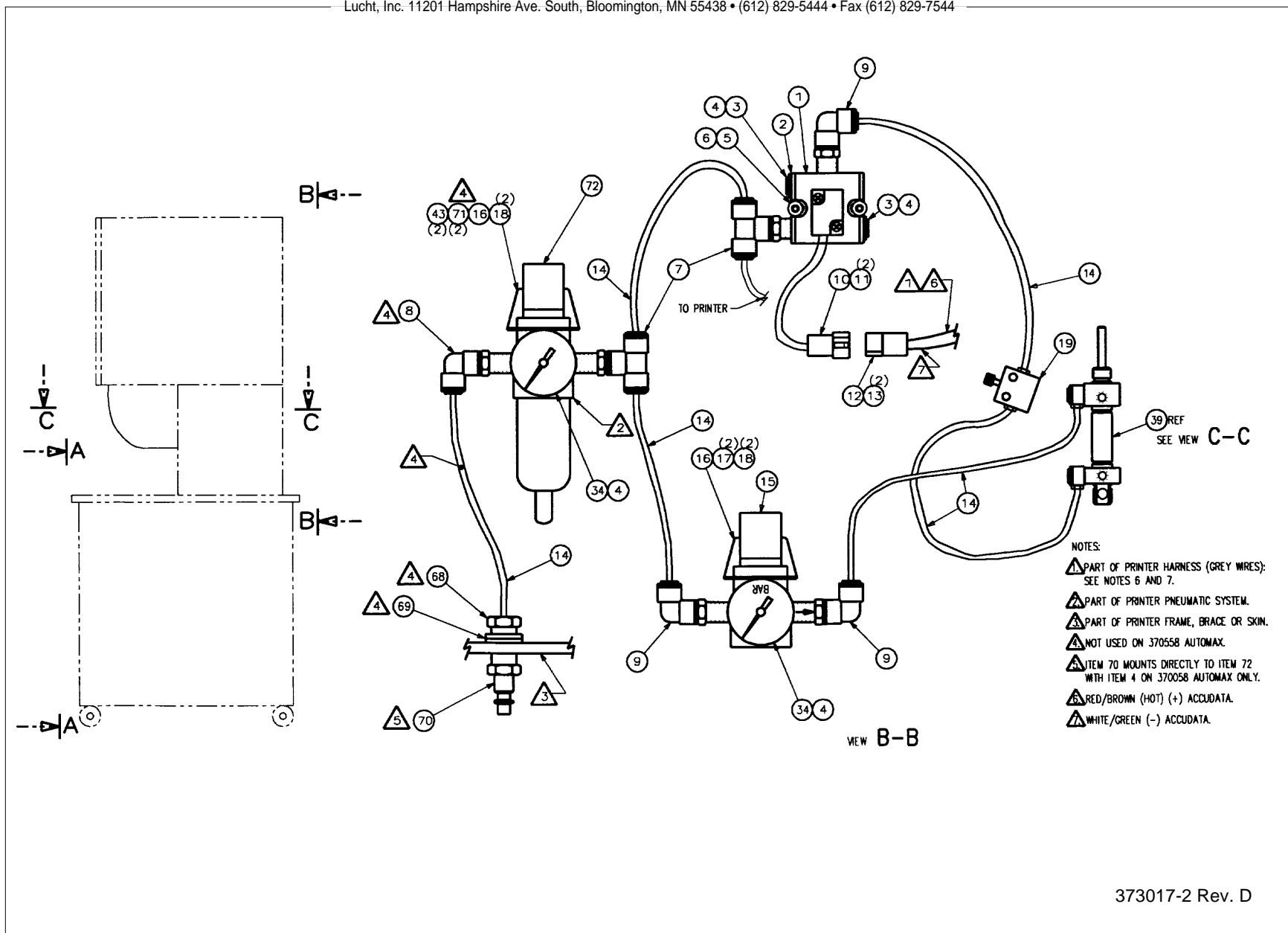


Figure 28 — Pneumatic Neg Hold Down Assembly, 2 of 2