

Model PPM-2 Punch Marker Parts

Item #	Part #	Description
	363400	Package Punch Marker - Model PPM-2
1	700338	Screw - SHC, 6-32 x .75 L
2	700600	Washer - Lock, Int. #6
3	702156	Connector - PCB, 22 pin
4	700091	Screw - SHC, 6-32 x .50 L
5	360353	Bracket - Connector Mounting
6	700079	Screw - BHC, 6-32 x .375 L
7	702152	Fitting - Barbed, 1/4" NPT x 1/8 Tube
8	700589	Nut - Hex, 6-32
9	360348	Bracket - Solenoid Mounting
10	700090	Screw - SHC, 8-32 x .38" L
11	700561	Screw - SHC, 6-32 x 1" L
12	360349	Valve Assembly - Solenoid
13	360405	Mount Assembly - Punch Selector
14	363403	Bumper - Die Block
15	702648	Adhesive - Black
16	363401	Bracket - Mask Support
17	702011	Screw - PFH, 10-32 x .38" L
18	701488	Sealant - Adhesive
19	701765	Washer - Special, #6 x .035 thk.
20	700605	Washer - Flat, #6
21	700107	Screw - PFH, 8-32 x .50 L
22	702651	Sealant - Adhesive for #8 or Smaller Fasteners
23	363408	Back Plate Assembly - PPM-2
24	363409	Bar - Cylinder Hinge
25	360335	Pin - Guide
26	360311	Punch Block Assembly - PPM-2
27	360319	Pin - Punch
28	360352	Plate - Pin Locator
29	702098	Screw - SPH, 2-56 x .31 L
30	360316	Cover - Die Block
31	363418	Fitting - Barbed w/ Gasket, .25 O.D. (Special)
32	700332	Tubing - .25 O.D. x .040 Wall, Black
33	700407	Screw - SFH, 4-40 x .25" L
34	363406	Bracket - Sensor
35	700135	Washer - Lock, int. #4
36	701226	Screw - SPH, 4-40 x .50" L
37	700374	Nut - Hex, 8-32
38	375040	Cover - Punch Selector
39	700573	Screw - PFH, 8-32 x 1.50" L
40	363415	Air Cylinder - Die Positioning
41	700830	Fitting - Pipe, 10-32 x .078 ID, Plastic, Barbed
42	700090	Screw - SHC, 8-32 x .38" L

(continued)

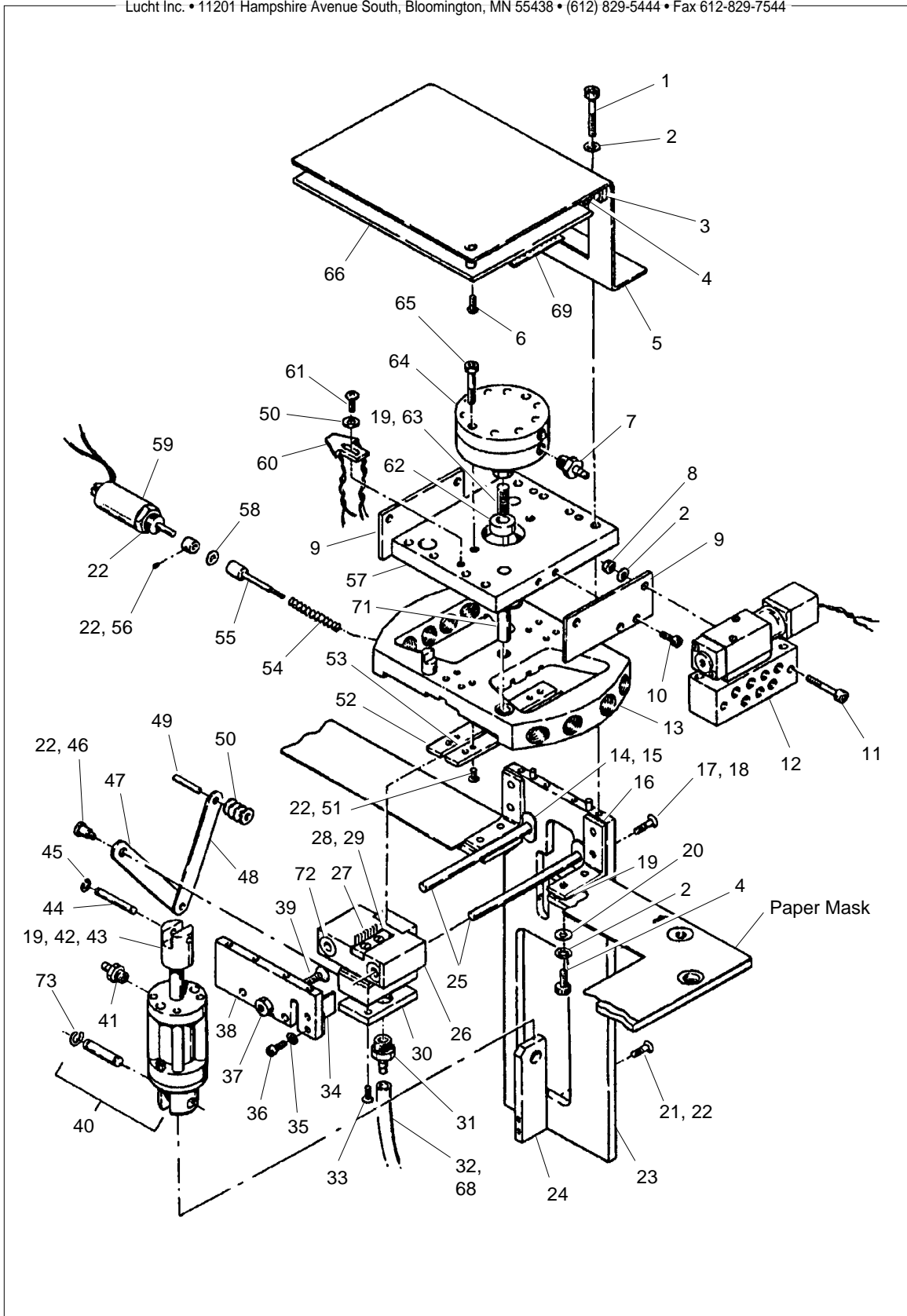


Figure 8 — Model PPM-2 Punch Marker Parts

Model PPM-2 Punch Marker Parts (cont'd)

Item #	Part #	Description
43	360321	Rod - Clevis
44	360344	Pin - Rod Clevis
45	702154	Ring - Retaining
46	702153	Screw - SLH, .12 x .18, 4-40
47	360345	Arm - Link, Long
48	360329	Arm - Link, Short
49	701369	Dowel Pin - .1252 x .75 L
50	702020	Washer - Flat, #4
51	701385	Screw - PFH, 4-4- x .375" L
52	360342	Rail - Pin Guide, Left
53	360341	Rail - Pin Guide, Right
54	360339	Spring - Selector Pin
55	374227	Pin - Punch Selector
56	701775	Setscrew - 2-56 x .09
57	363412	Top Plate Assembly - PPM-2
58	700385	Washer - Flat, #3
59	360337	Solenoid Assembly - PPM-2
60	360318	Transducer Assembly - PPM
61	701554	Screw - PPH, 4-40 x .375" L
62	363416	Spacer - PPM-2
63	360343	Stud - Fastener, 5/16-24 x.80" L
64	363414	Air Cylinder - Pancake, 1.062 Bore x .125 Stroke, Double Acting
65	700093	Screw - SHC, 8-32 x 1.00" L
66	360306	PMC PCB Assembly - Dyna-Mite Controllers
66	361782	PMD PCB Assembly - 4004 or UPC Controllers
66	365825	PMD PCB Assembly - TruTrac-2 Controllers
66	706848	PPIB PCB Assembly - Accudata Controllers
67	368222	Collar - Coupler, Rod
68	701374	Fitting - Elbow, .25 OD x 10-32 w/2 Gaskets
69	702140	Connector - Receptacle, 18 Pin
70	702143	Terminal - Contact, Socket, 30-22AWG, (Incl. w/ Item #69)
71	701663	Pin - Dowel, .188D, 1.00L, SST
72	703166	Bushing - Sleeve, .191 ID, .25 W, Rulon®
73	704760	Ring - Retaining, E, .25OD Shaft, .210D Groove (Incl. w/ Item #40)
-	373880	Cover - Marker Bar Slot (For Mask — Not Shown)