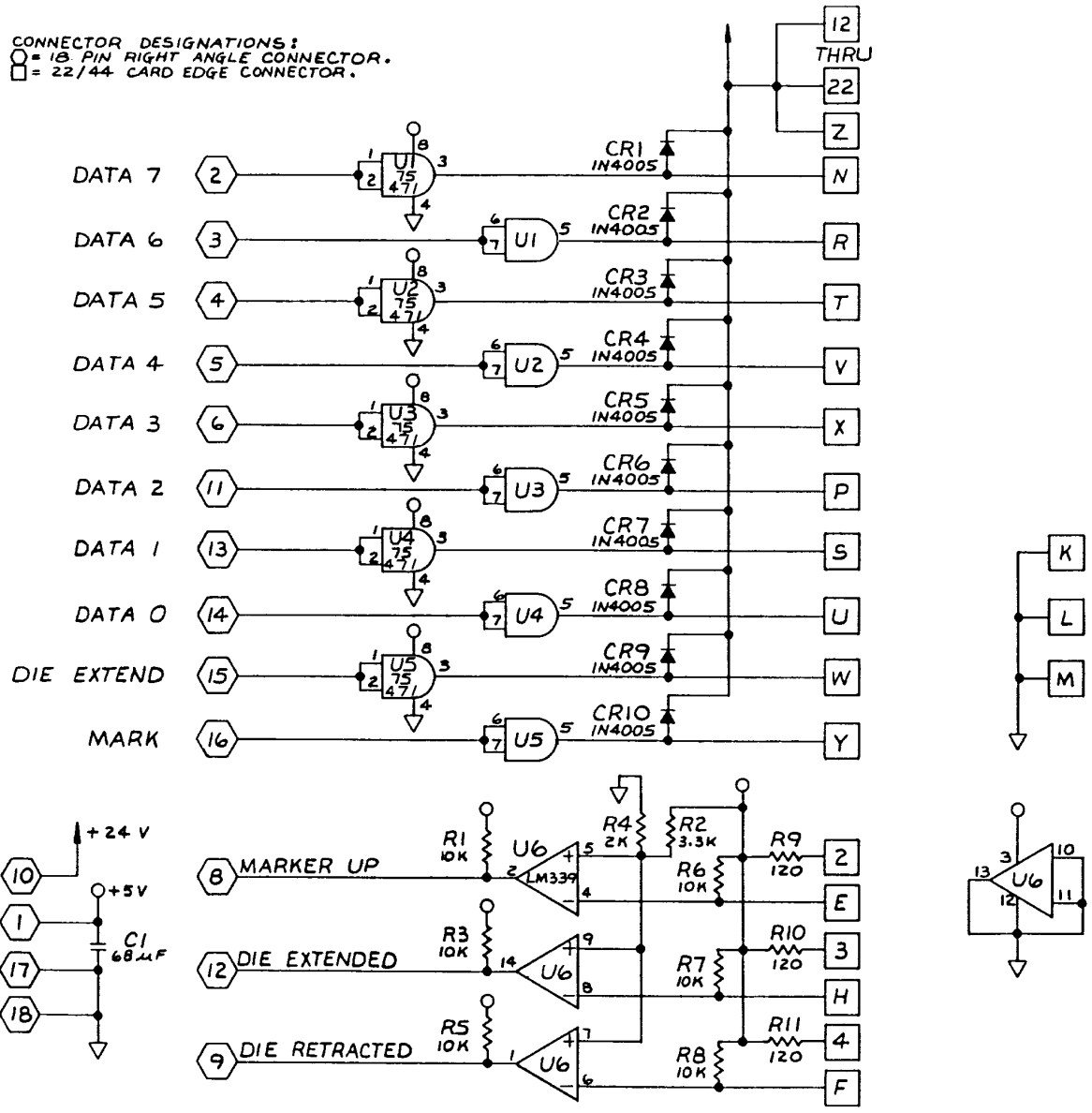


Figure 5 — Schematic Diagram - PPM-2



365826 Rev. 01

Figure 6 — Schematic Diagram - PMD-2 (Excellerator)

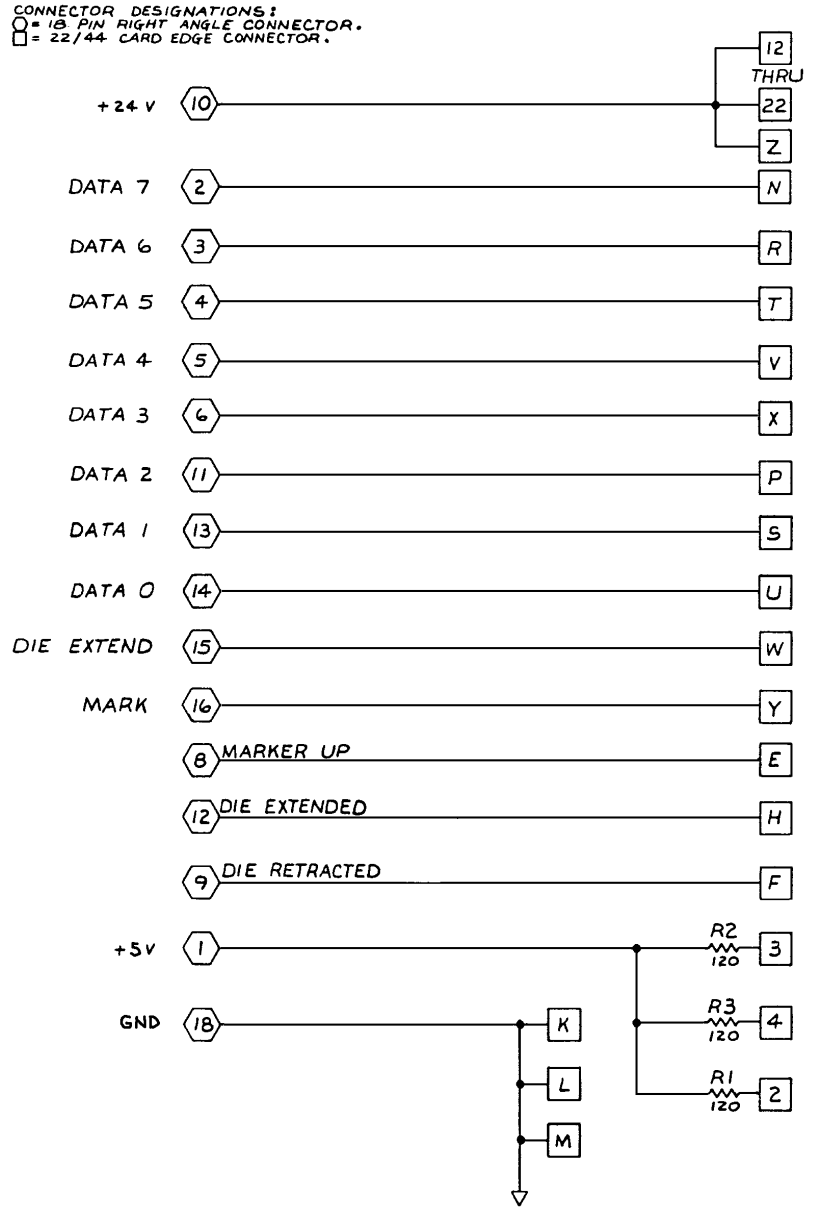


Figure 7 — Schematic Diagram - PPIB (Accudata)