

Frame Members and Covers

Item	Part #	Description	Item	Part #	Description
1	360437	Thumbscrew Assembly - 5/8 L	31	360424	Brace - Picture Tray
2	360415	Locator Bar - Rear	32	367244	Plate - Retainer, Roller, Front
3	700334	Screw - FHCS, 8-32 x 3/8 L	33	700081	Screw - BHCS, 8-32 x 3/8 L
4	700404	Grommet - Rubber	34	706535	Nut - KEP, 6-32
5	706536	Nut - KEP, 8-32	35	367250	Motor Support - PPC
6	360404	Bracket - Micro Switch	36	360431	Cover - Support, Rear
7	360401	Paper Deck - PPC	37	700699	Screw - SHCS, 10-32 x 1/2 L
8	360491	Pin - Locator	38	367259	Scrap Bin - PPC
9	700543	Screw - PPH, 4-40 x .187	39	700091	Screw - SHCS, 6-32 x 1/2 L
10	700381	Washer - Lock, Ext. #4	40	360364	Bar - Die, Front
11	700554	Screw - BHCS, 10-32 x 3/8 L	41	700161	Handle - Chrome
12	369100	Cover - Control Cabinet	42	367256	Panel - Front
13	367252	Panel - Back, Control Cabinet	43	367342	Bracket - Roller
14	700080	Screw - BHCS, 8-32 x 1/4 L	44	367258	Cover - Motor
15	368978	Cover - Air Cylinder	45	700138	Washer - Lock, Ext. #10
16	700555	Screw - FHCS, 6-32 x 3/8 L	46	700386	Washer - Flat, #10
17	360405	Locator - Paper	47	367247	Roller Support - Rear
18	360371	Bracket - Drive Roller	48	360376	Bracket - Heat Sink
19	700601	Washer - Lock, Int. #10	49	702043	Resistor - 15-Ohm, 50-Watt
20	706538	Nut - KEP, 10-32	50	360377	Bracket - Front Panel
21	700352	Screw - BHCS, 8-32 x 1/2 L	51	700081	Screw - BHCS, 8-32 x 3/8 L
22	700382	Washer - Lock, Int. #8	52	360432	Cover - Paper Roller Support
23	700709	Washer - Flat, #8	53	367249	Paper Roller Support - PPC
24	360398	Bracket - Air Manifold	54	360430	Cover - End Support, Front
25	360365	Bar - Die, Rear	55	367246	Roller Support - Front
26	360370	Guide - Scrap Bin	56	367248	Plate - Base, Roller Support
27	360361	Base Plate - PPC	57	360375	Mount - Motor
28	367257	Cover - Motor	58	240132	Owner's Manual - (not shown)
29	360425	Print Tray - PPC	59	150219	Foot Switch - (not shown)
30	367245	Plate - Retainer, Roller, Rear	60	700334	Screw - FHCS, 8-32 x 3/8 L

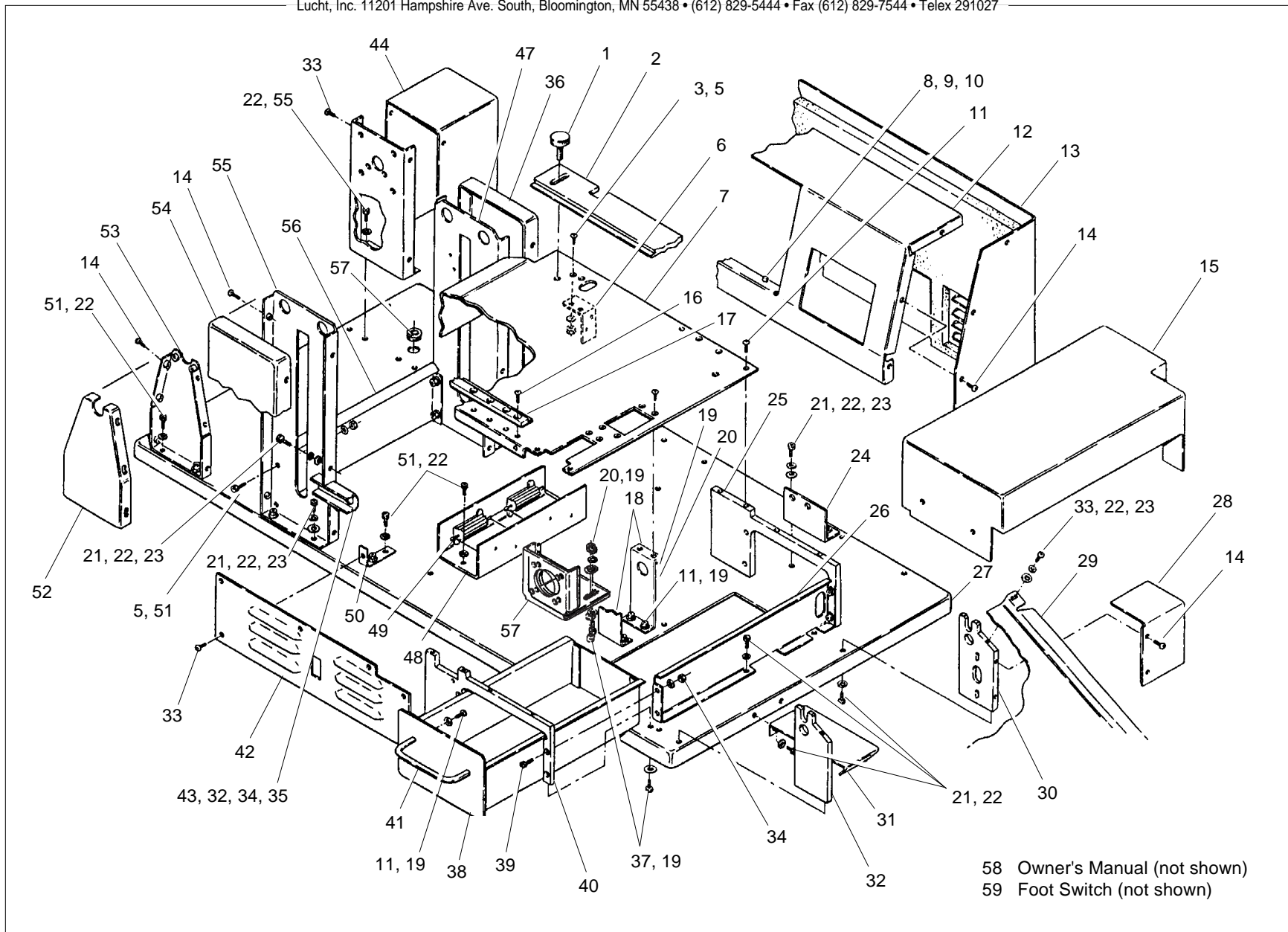


Figure 6 — Frame Members and Covers

Drive Motors and Rollers

Item	Part #	Description	Item	Part #	Description
1	702602	Screw - Shoulder, .250 x .188, 10-32 x 1/4 L	30	701491	Bearing - Ball, Flanged, .25 ID x .50 OD
2	702110	Bearing - Roller, .25 ID x .62 OD x .196 Thk	31	701696	Screw - Shoulder, .250 x .625, 10-24
3	700331	Screw - BHCS, 6-32 x 1/4 L	32	360397	Retainer - Roller
4	270145	Flange - Roller	33	360476	Guide Strip - Left Rear
5	360393	Shaft - Paper Drive	34	360475	Guide Strip - Right Rear
6	700350	Screw - Set, 1/4-20 x 3/8 L	35	160166	Grommet - Rubber
7	363303	Support - Tapered	36	360395	Roller - Paper Guide
8	363304	Tube Assembly - Expansion	37	360394	Roller - PPC
9	363302	Adaptor - Core Gripper	38	360384	Guide Strip - Front
10	360391	Coupler - Drive	39	700709	Washer - Flat, #8
11	701662	Pin - Dowel, 3/16 x 7/8 L	40	700600	Washer - Lock, Int. #6
12	701673	Screw - Set, 8-32 x 1/4 L	41	702102	O-ring - .75 OD x .125 Cross-section
13	702610	O-ring - 1.75 ID x .188 Thk	42	700526	Collar - w/ SS, .25 ID x .500 ODx.28Wide
14	700695	Screw - SHCS, 10-30 x 3/4 L	43	360374	Shaft - Drive Roller
15	702112	Bearing - Roller, 1/4 ID x 1/2 OD	44	361772	Roller Assembly - Drive
16	360390	Spacer - Paper Roller	45	360368	Roller - Eject, Print
17	360392	Motor Assy - Gear, 115-VAC, 60-Hz, 1/120 HP	46	702123	Pulley - 1.40 OD x .25 bore, 22 Groove
18	700341	Screw - SHCS, 8-32 x 1/2 L	47	702106	Belt - Timing, 13" x .375 Wide, 65-Tooth
19	363307	Knob - Core Gripper	48	700699	Screw - SHCS, 10-32 x 1/2 L
20	700601	Washer - Lock, Int. #10	49	360455	Motor - Stepper
21	706538	Nut - KEP, 10-32	50	702105	Pulley - .891 OD x .250 bore, 14 Groove
22	700386	Washer - Flat, #10	51	702103	O-ring - 1.88 ID x .12 Section
23	702040	Screw - SHCS, 10-32 x 1-1/4 L	52	363369	Motor - Eject, synchronous
24	702603	Plunger - Ball, 8-36 x .344 L	53	700339	Screw - SHCS, 8-32 x 1/2 L
25	360400	Guide - Paper, Adjustable	54	706536	Nut - KEP, 8-32
26	702509	Screw - Shoulder, 1/4 x .50, 10-32 x 3/8 L	55	702101	Pulley - .75 OD x .688 Wide, .25 bore
27	280614	Shim - .257 ID x .500 OD x .005 Thk	56	360369	Roller - Idler, Eject
28	280615	Shim - .257 ID x .500 OD x .010 Thk	57	702605	Setscrew - 8-36 x 1/4 L
29	280616	Shim - .257 ID x .500 OD x .020 Thk	58	700566	Setscrew - 8-32 x 1/4 L

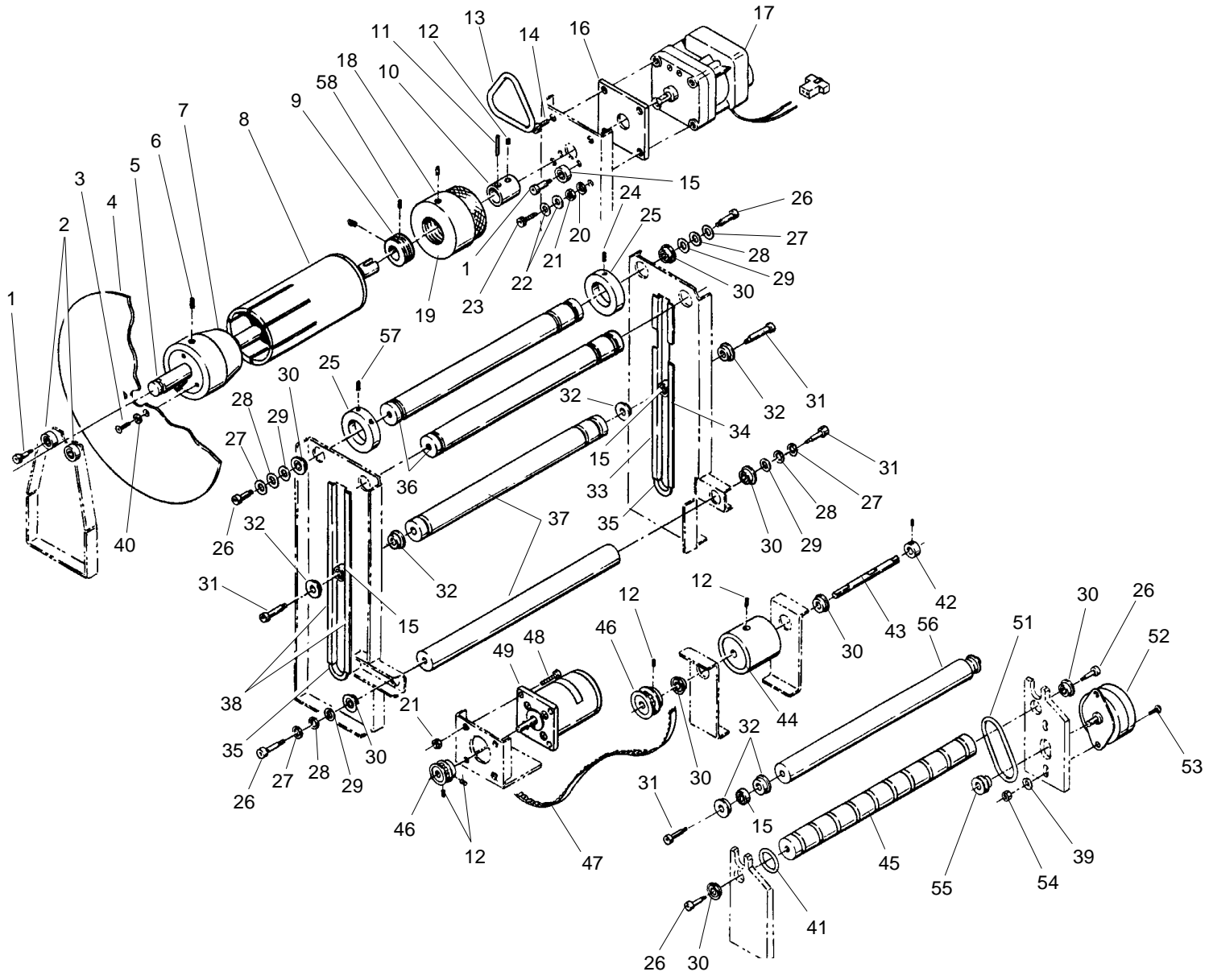


Figure 7 — Drive Motors and Rollers

Air and Electrical Parts

Item	Part #	Description	Item	Part #	Description
1	706534	Nut - KEP, 4-40	41	360403	Bracket - Sensor
2	368938	Clamp - Muffler	42	702989	Screw - SHCS, 10-32 x 1.75 L
3	366874	Switch - Snap Action	43	706538	Nut - KEP, 10-32
4	700069	Screw - SPHS, 4-40 x 5/8 L	44	360486	Spring - Flat
5	700310	Coupler - Air, Male, 1/4 NPT	45	700563	Screw - SHCS, 10-32 x 3/8 L
6	700557	Screw - BHCS, 6-32 x 5/8 L	46	700068	Screw - PPH, 4/40 x 1/4 L
7	700716	Mount - Adhesive Backed	47	360302	PCB Assembly - LES
8	700517	Cable Tie - Miniature	48	360483	Cable - Flat, LES
9	701161	Nut - Hex, 6-32	49	701227	Screw - PPH, 6-32 x .25 L
10	360482	Wire Harness - PPC	50	360489	Retainer - Sensor
11	701264	Filter - Line	51	702045	Nut - Jam, 5/16-24
12	320107	Washer - Air Input	52	360488	Screw - Adjusting
13	700399	Fitting - Tube, Female	53	701798	Ring - Retaining, Ext .175 Dia
14	700081	Screw - BHCS, 8-32 x 3/8 L	54	360490	Rod - Guide
15	360414	Panel - Display, PPC	55	700824	Screw - BHCS, 10-32 x 1/2 L
16	368219	PCB Assembly - MPC	56	700601	Washer - Lock, #10
17	367253	Cover - Control Cabinet	57	360411	Bracket - mounting, fan
18	706891	Tubing - Black, .25 OD x .040 Wall, Specify L.	58	700382	Washer - Lock, Int #8
19	702169	Fitting - Silencer	59	700090	Screw - SHCS, 8-32 x 3/8 L
20	700150	Fitting - Tube, Male Elbow	60	706535	Nut - KEP, 6-32
21	702168	Fitting - Reducer, 3/8 male to 1/8 Female	61	701317	Socket - Contact
22	702600	Screw - SHCS, 1/4-20 x 2 L	62	700079	Screw - BHCS, 6-32 x 3/8 L
23	369096	Manifold Valve Assembly - Air	63	700157	Holder - Fuse
24	360484	Cable - Flat, Blade Sense	64	701766	Fuse - 5-Amp, 250-v, Fast Blow
25	701773	Clamp - Flat Cable	65	705416	Setscrew - 8-32 x .12
26	367105	Multiple Blade Assembly - PPC	66	701764	Fan - 115-VAC, 50-/60-Hz
27	700695	Screw - SHCS, 10-32 x 3/4 L	67	374184	Power Supply Assembly - PPC
28	700553	Screw - BHCS, 6-32 x 1/2 L	68	701651	Switch - Power
29	702116	Terminal Block - PPC	69	700478	Spacer - PCB, 1/4 L
30	700612	Plug - 3/8 NPT	70	700880	Tape - Transfer
31	706448	Muffler	71	702124	Air Valve - Solenoid
32	706539	Nut - KEP, 1/4-20	72	700759	Switch - Snap Action
33	702167	Fitting - Barbed, 1/8 NPT	73	360472	Sensor Assembly
34	701827	Tubing - Clear, .125 ID x .25 OD, Specify L.	74	368937	Mount - Muffler
35	700547	Screw - PPH, 6-32 x 1/2 L	75	360308	PCB Assembly - BSI (Blade Sense Interface)
36	360428	Cover - Sensor	76	360489	Retainer - Sensor, PPC
37	360304	PCB Assembly - LSS	77	701773	Clamp - Cable, Flat (not shown)
38	700379	Nut - Hex, 6-32 (Special)	78	701263	Cord - Power (not shown)
39	360468	Mount - Sensor	79	150219	Switch - Foot (not shown)
40	360487	Yoke - Adjustment	80	704453	Repair Kit - Air Cylinder (not shown)

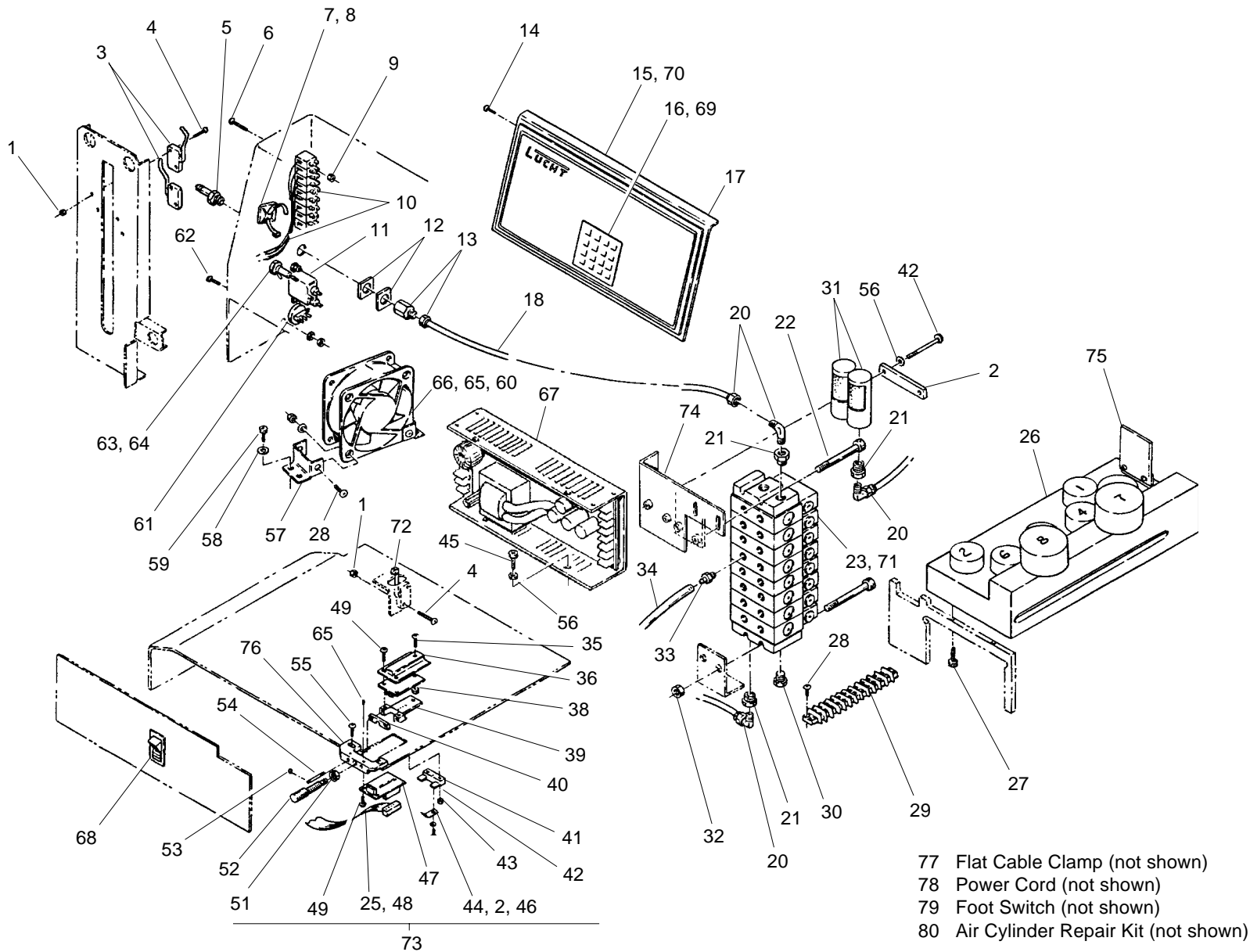


Figure 8 — Air and Electrical Parts

Pinch Roller/Encoder Parts

Item	Part #	Description
1	706635	Shaft - .2497 D, 8.00 L
2	706383	Encoder - Optical
3	701491	Bearing - Ball, Flanged, .25 ID x .50 OD
4	368931	Bracket - Encoder
5	700600	Washer - Lock, Int. #6
6	700323	Screw - PPH, 6-32 x .38
7	700930	Bushing, Snap-in, .250 ID
8	360437	Thumbscrew Assembly, 5/8 L
9	700526	Collar - Setscrew, .25 ID, .50 OD x .28 W
10	700382	Washer - Lock, Int. #8
11	700072	Screw - PPH, 8-32 x .38 L
12	368935	Support - Encoder/Pressure Roller
13	700856	Clamp - Cable, .187 Dia. Cable
14	706535	Nut - KEP, 6-32
15	368936	Shaft - Idler, Encoder
16	702190	Washer - Flat, .268 ID x .495 OD x .031 Thk.
17	369028	Roller - Assembly, Cutter
18	706572	Spring, Comp., .600 OD x 1.25 F L x .049 WD
19	700562	Screw, SHCS, 8-32 x 3/4 L
20	702801	Grommet - Rubber, Round, .191 ID
21	368939	Bracket - Support, Encoder
22	702154	Ring - Retaining, Ext. .125 Dia.
23	368362	Roller Assembly - Encoder
24	368308	Shaft - Drive, Encoder
25	702394	Bearing - Ball, Flanged, .125 ID x .250 OD x .093 W
26	700068	Screw - PPH, 4-40 x .25
27	700135	Washer - Lock, Int., #4
28	369027	Retainer - Roller
29	368932	Spacer - Encoder

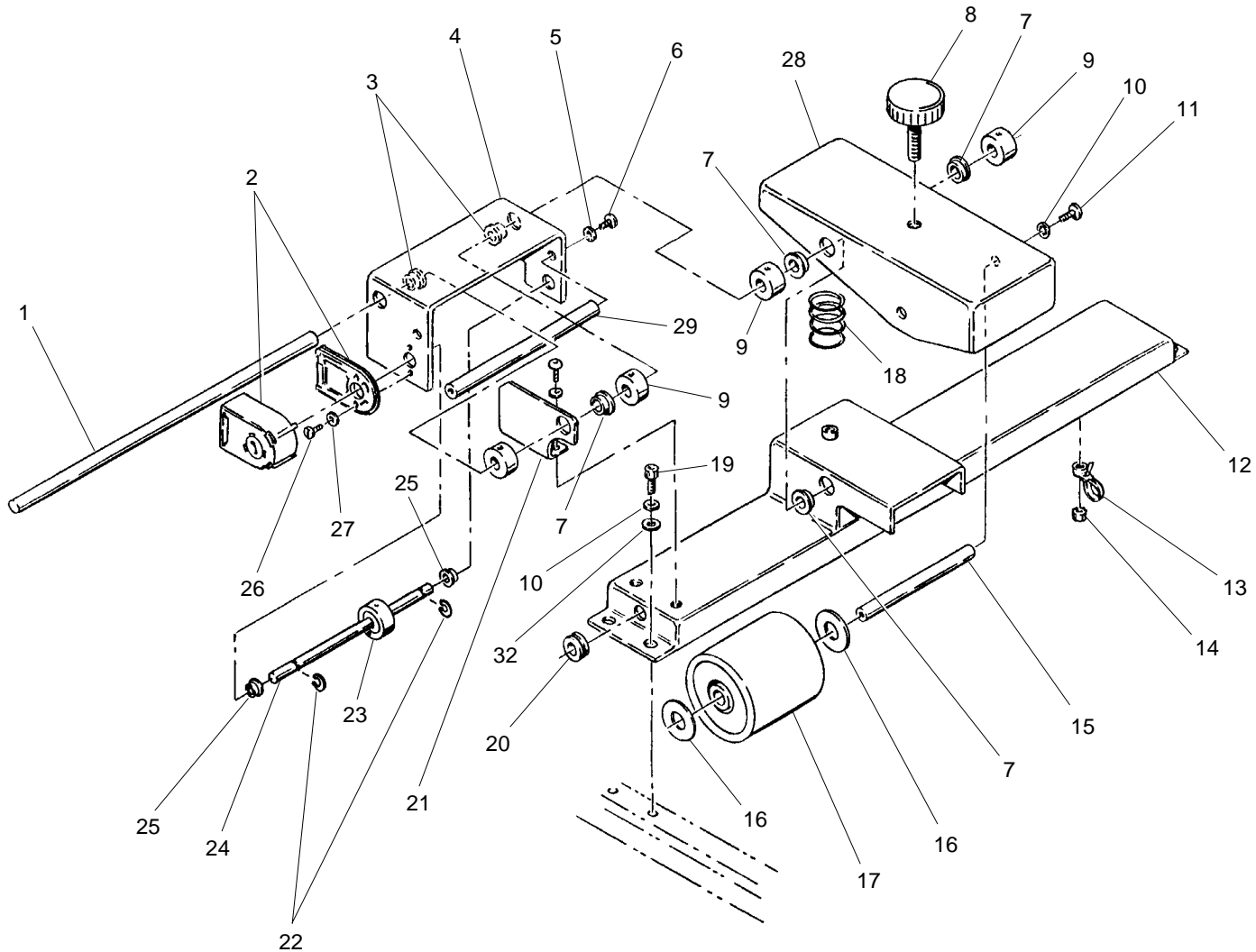


Figure 9 — Pinch Roller/Encoder