

## ***Parts Lists and Schematics***

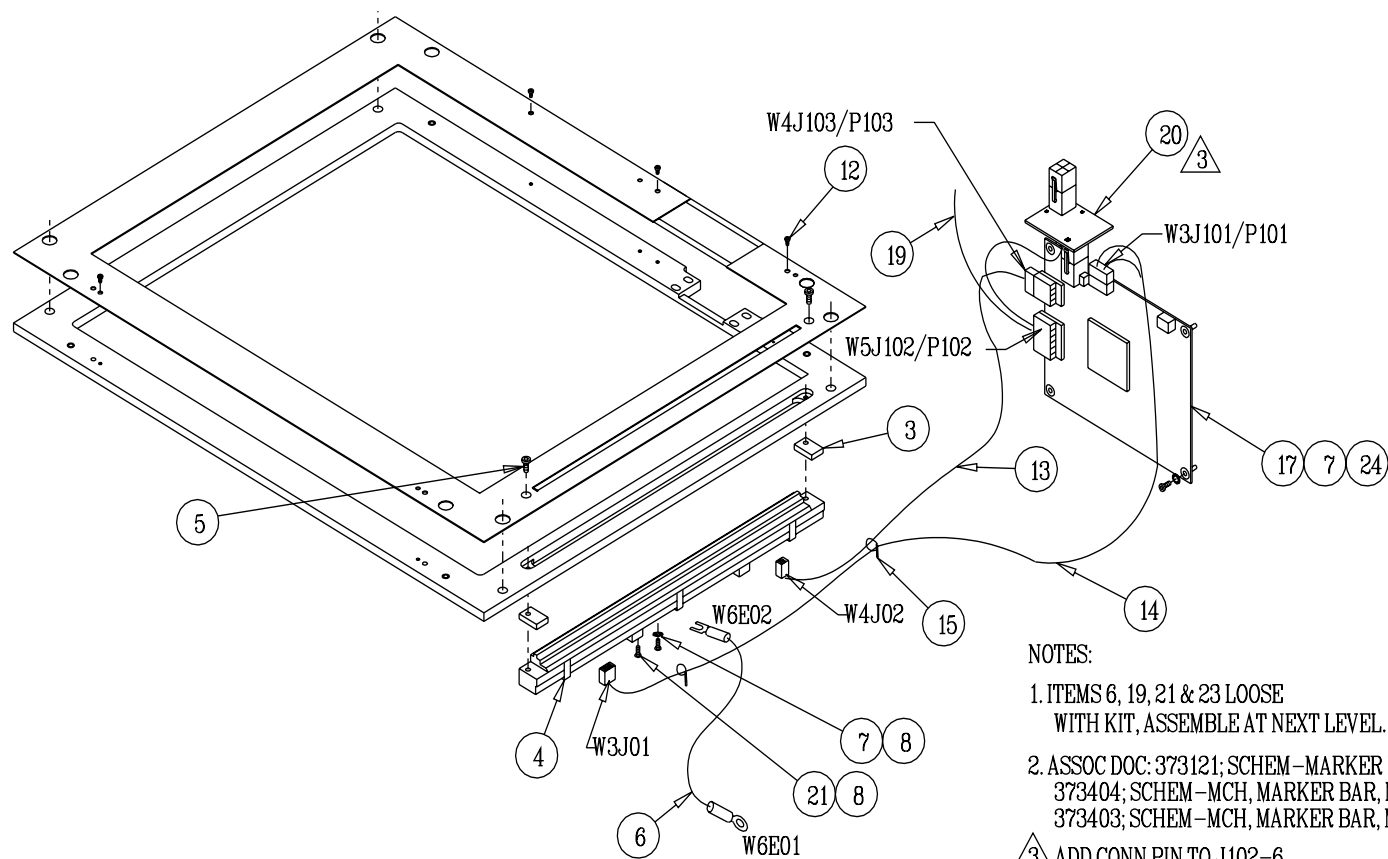
---

Order parts by Lucht part number, description and quantity desired - not by item number.

## Marker Bar Assy - M-Printer

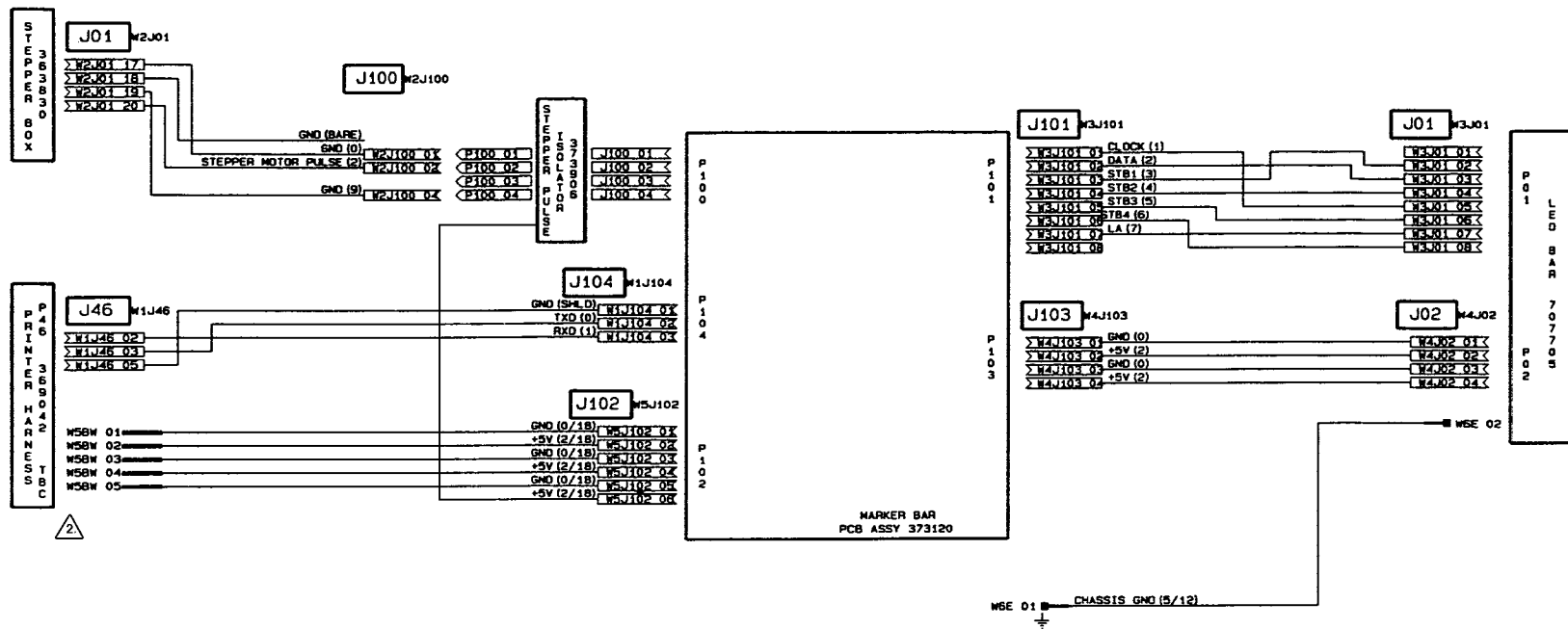
---

<i>Item</i>	<i>Part #</i>	<i>Description</i>
0	373403	SCHEMATIC-MACH,MKR BAR ASSY,MPTR,EXCELL
0	373404	SCHEMATIC-MACH,MKR BAR ASSY,MPTR,ACCU
3	373093	BLOCK-MOUNT,LED BAR
4	707705	PRINthead-LED,300DPI,ROHM
5	707870	SCREW-MCH,PPH,M3X18,ZINC
6	373211	CABLE ASSY-GROUND,MPTR
7	700135	WASHER-LOCK,INT,NO.4,BLK
8	703892	SCREW-MCH,PPH,M3X6,BLK
12	701199	SCREW-CAP,SKBHC,2-56X.12,BLK
13	373133	CABLE ASSY-POWER,LED PRINTER
14	373132	CABLE ASSY-DATA,LED PRINTER
15	700517	CABLE TIE-MINIATURE,.75D BUNDLE
17	373120	PCB ASSY-MARKER BAR
19	373134	CABLE ASSY-POWER,MPTR
20	373906	PCB ASSY-STEPPER PULSE ISOLATOR
21	702670	MOUNT-TIE,SCREW ON
23	700079	SCREW-CAP,SKBHC,6-32X.38,BLK
24	702567	SCREW-CAP,SKBHC,4-40X.75,BLK



373311 Rev. E

Figure 7 — Marker Bar Assy - M-Printer



- W1 = 373388
- W2 = 373768
- W3 = 373132
- W4 = 373133
- W5 = 373134
- W6 = 373211

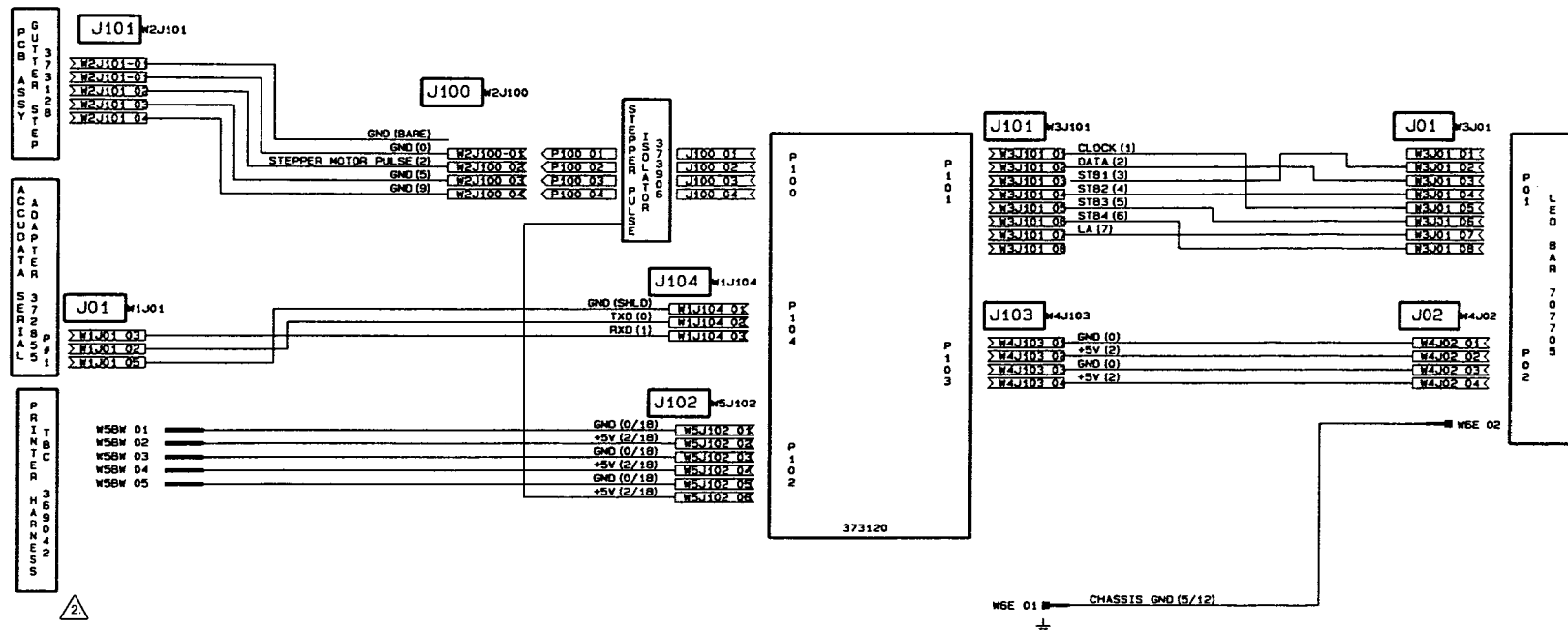
NOTES:

1. WIRE IDENTIFICATIONS ARE TO BE READ AS FOLLOWS:  
 SIGNAL NAME (WIRE COLOR CODE/WIRE GAUGE IF OTHER  
 THEN 24 AWG), DESTINATION (PAGE NUMBER) IF  
 DIFFERENT FROM THE ORIGIN

2. WHEN INSERTING WIRES IN TERMINAL BLOCK MATCH THE  
 COLORS. RED WIRES WITH REDS, BLACK WIRES WITH  
 BLACKS.

373403 Rev. C

Figure 8 — Marker Bar Schematic - M-Printer, Excellerator



- W1 = 373186
- W2 = 373131
- W3 = 373132
- W4 = 373133
- W5 = 373134
- W6 = 373211

NOTES:

1. WIRE IDENTIFICATIONS ARE TO BE READ AS FOLLOWS:  
 SIGNAL NAME (WIRE COLOR CODE/WIRE GAUGE IF OTHER  
 THEN 24 AWG), DESTINATION, (PAGE NUMBER) IF  
 DIFFERENT FROM THE ORIGIN

2. WHEN INSERTING WIRES IN TERMINAL BLOCK MATCH THE  
 COLORS. RED WIRES WITH REDS, BLACK WIRES WITH  
 BLACKS.

373404 Rev. D

Figure 9 — Marker Bar Schematic - M-Printer, Accudata