

Section 7 — Parts

The Lucht LSB-2 Lamphouse is made up of several assemblies. This section includes parts lists and illustrations by assembly; *lamphouse housing*, *display housing*, *lamp reflector*, and the optional *flag filter kit*.

Circled item numbers indicate complete assemblies. All other item numbers indicate sub-assemblies or individual parts.

Order parts by Lucht part number, description and quantity desired—not by item number. Individual parts that are part of a larger assembly are indented and listed under the assembly description. If the assembly part number is ordered, all parts indented under the assembly number will be included in the order.

Lamphouse Housing Assembly

<i>Item</i>	<i>Part #</i>	<i>Description</i>
1	210244	Lamphouse Housing Assembly
2	701314	Switch - Interlock
3	361723	Line Filter Assembly
4	110575	Blower Motor Assembly
5	110587	Bushing - Latch
6	210234	Latch - Catch
7	150224	Vent-Fan
8	210238	Housing - Lamphouse
9	200144	Knob - Thumbscrew
10	362451	Screw - Special, Captive
11	150243	Filter - Air
12	120386	Catch - Lamphouse
13	320210	Wire Harness - Main Power
14	700682	Connector - 14 Pin
15	700405	Pin - Guide, Male
16	700620	Pin - Guide, Female
17	701413	Keeper - Drawer Catch
18	100244	Access Cover Assembly
19	120399	Cover - Access
20	700389	Fastener - Nylatch
21	700607	Fastener - Nylatch Grommet
22	700663	Block - Terminal 3 Lug
23	700300	Hood - Connector
24	700988	Plug - Connector
25	702687	Mount - Push Button, Cable Tie (not visible)
26	700517	Tie - Cable, 4" (not visible)
27	170181	Hinge - Mounting
28	701318	Bushing - Strain Relief
29	230144	Bar - Nut
30	230144	Bar - Nut
31	250529	Hinge - Pivot
32	250166	Plate - Latch
Not Shown	220411	Mixing Chamber, Lucht, Small
"	220412	Mixing Chamber, Lucht, Large
"	220439	Mixing Chamber, Kodak, Small
"	220441	Mixing Chamber, Kodak, Large
"	220443	Mixing Chamber, S-Plus-type printer, 4 x 5
"	220469	Mixing Chamber, Nord, Small
"	220472	Mixing Chamber, Nord, Large
"	367088	Shield - Heat, Blower Motor

Lucht Inc., 11201 Hampshire Ave. S., Bloomington, MN 55438-2454 • (612) 829-5444 • Fax (612) 829-7544

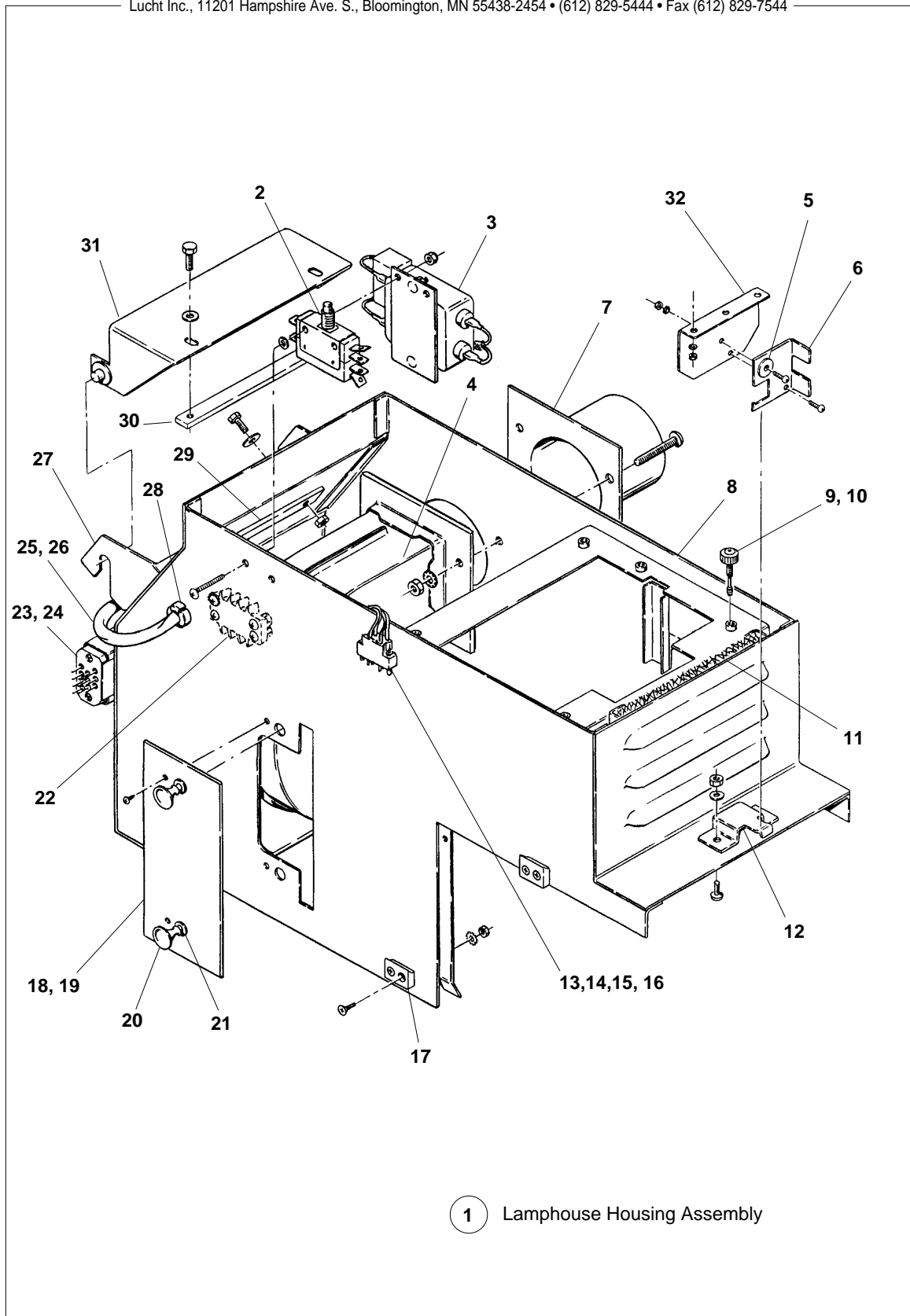


Figure 10 — Lamphouse Housing Assembly

Display Housing Assembly

<i>Item</i>	<i>Part #</i>	<i>Description</i>
1	362409	Display Housing Assembly
2	362404	Sensor Block Assembly
3	280534	Sensor Arm Assembly
4	100241	Anchor Plate - Sensor
5	701430	Spring - Extension, 1.5 x .25 dia.
6	280525	Plate - Sensor
7	280529	Spring - Sensor Head
8	100240	Arm - Sensor
9	700302	Connector - Card Edge
10	700524	Clamp - Cable Tie
11	362440	Bracket - Connector
12	700160	Guide - Card, Circuit
13	700442	Plug - Hole
14	362441	Panel - Display
15	700880	Tape - Transfer
16	362402	CTD PCB Assembly
17	701397	Knob - Control, W/Setscrew
17	701622	Knob - Control, 1.25 Dia, Crank (White Light Only)
18	374347	Knob - Adapter, Crank, LSB-2 (White Light Only)
19	701396	Lock - Knob
20	130228	Cover Assembly - Display
21	362410	Housing - Display
22	701414	Latch - Draw Catch
23	701387	Shaft - Flexible, Short (Yellow)
24	701388	Shaft - Flexible, Medium (Magenta)
25	701389	Shaft - Flexible, Long (Cyan)
26	702018	Guard - Switch
27	702917	Switch - Display
28	700046	Block - Connector, 14 Pin
29	701479	Spring Set - Locking
30	700405	Pin - Guide, Male
31	700620	Pin - guide, Female
Not Shown	130231	Cable - Lamp Extinguishing, PC 150 & PC 152
Not Shown	361711	Cable - Lamp Extinguishing, Kodak Printers

Lucht Inc., 11201 Hampshire Ave. S., Bloomington, MN 55438-2454 • (612) 829-5444 • Fax (612) 829-7544

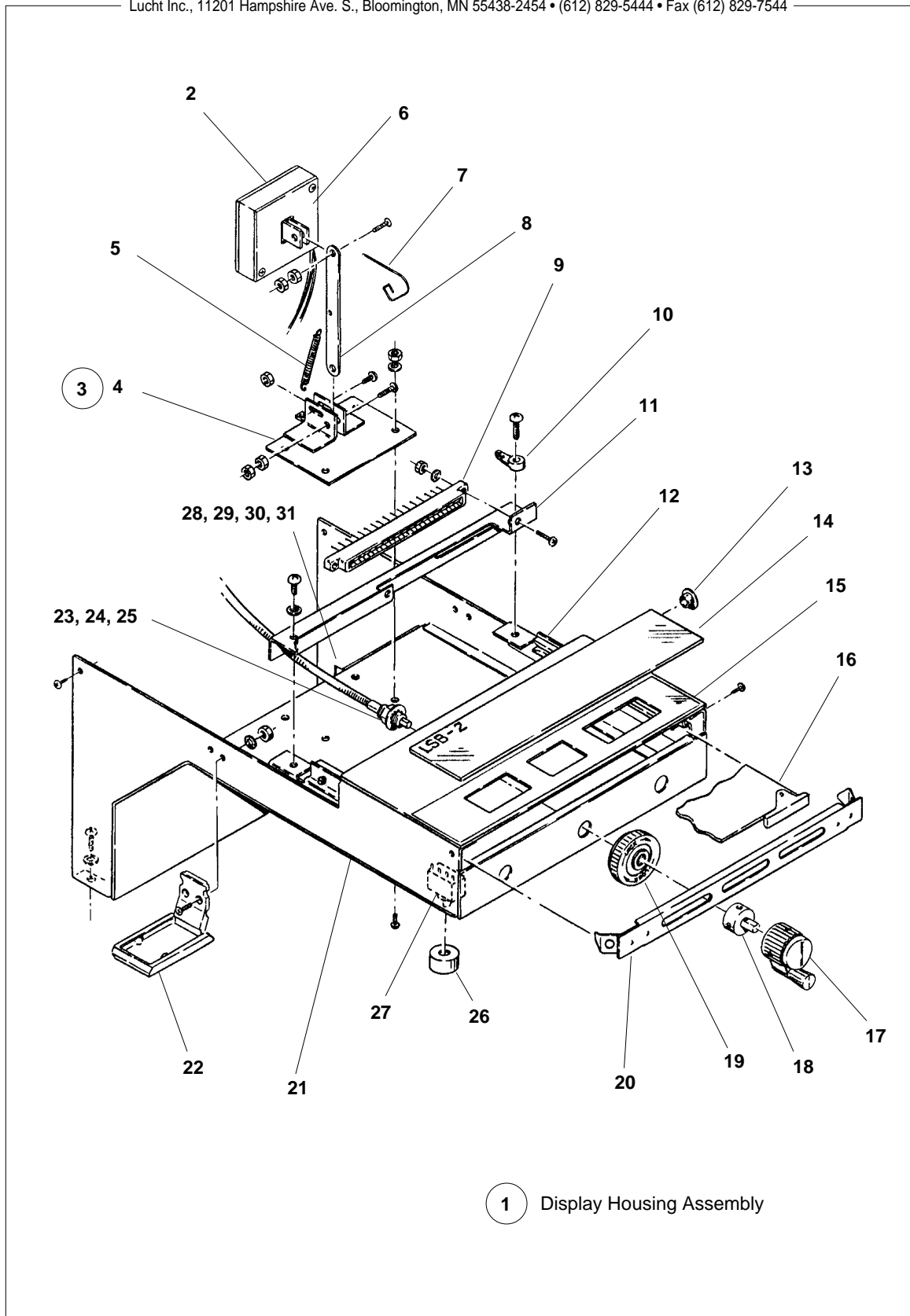


Figure 11 — Display Housing Assembly

Lamp Reflector Assembly, Part 1

<i>Item</i>	<i>Part #</i>	<i>Description</i>
1	290276	Transformer Assembly - 48V
2	700157	Fuse Holder
3	702015	Fuse - 1A, 250V, AGC, Fast Blow
4	250503	Base Plate - Lamphouse
5	701414	Latch - Draw Catch
6	700010	Bushing - Snap, Nylon
7	702670	Mount - Cable Tie
8	701402	Card Guide - Right
9	362406	LDR PCB Assembly
10	707934	Power Supply - Multiple Output
11	701401	Card Guide - Left
12	310118	Access Cover Assembly, Vented
13	120400	Cover - Access, Vented
14	700389	Fastener - Nylatch Plunger
15	700607	Fastener - Nylatch Grommet
16	362408	Bottom - Lamphouse
17	170175	Hanger Assembly
18	702687	Mount - Push Button, Cable Tie
19	362439	Wire Harness Assembly - LSB-2
20	700302	Connector - Card Edge, 22 Pin
21	701381	Jumper - Terminal Block
22	701425	Block - Terminal, 14 Lug
23	700442	Plug - Hole, .50" Dia.
24	700730	Plug - Hole, .25" Dia.

Lucht Inc., 11201 Hampshire Ave. S., Bloomington, MN 55438-2454 • (612) 829-5444 • Fax (612) 829-7544

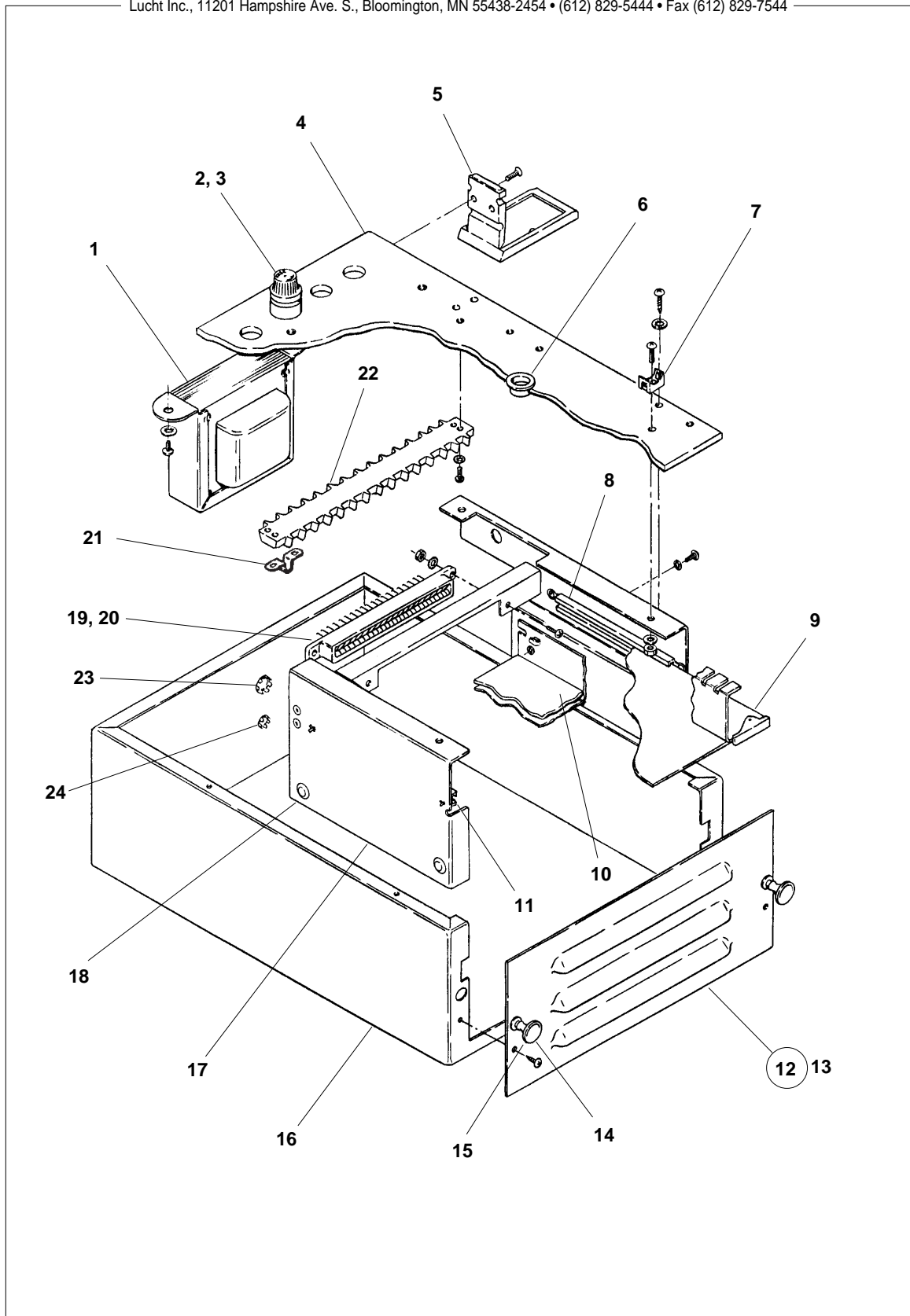


Figure 12 — Lamp Reflector Assembly, Part 1

Lamp Reflector Assembly, Part 2

<i>Item</i>	<i>Part #</i>	<i>Description</i>
1	701027	Switch, Thermal
2	700469	Spacer, .375 OD x .194 ID x .5
3	120393	Cold Mirror Guide
4	270259	Reflector, Lamp
6	701424	Lamp Socket
5	110545	Bracket, Lamp Socket
7	250514	Plate, Nut
8	220407	Mount, Reflector
9	702687	Mount, Push Button
10	701082	Lamp, Quartzline, FFJ, 120V, 600W (optional)
10	701420	Lamp, Quartzline, BRH, 120V, 1000W (optional)
10	702620	Lamp, Quartzline, DXW, 120V, 1000W (standard)
11	701394	Fastener, Speed Clip
12	120431	Neutral Cold Mirror
13	120401	Cold Mirror Holder Assembly
14	120392	Cold Mirror Holder
15	200135	Keeper, Cold Mirror

Lucht Inc., 11201 Hampshire Ave. S., Bloomington, MN 55438-2454 • (612) 829-5444 • Fax (612) 829-7544

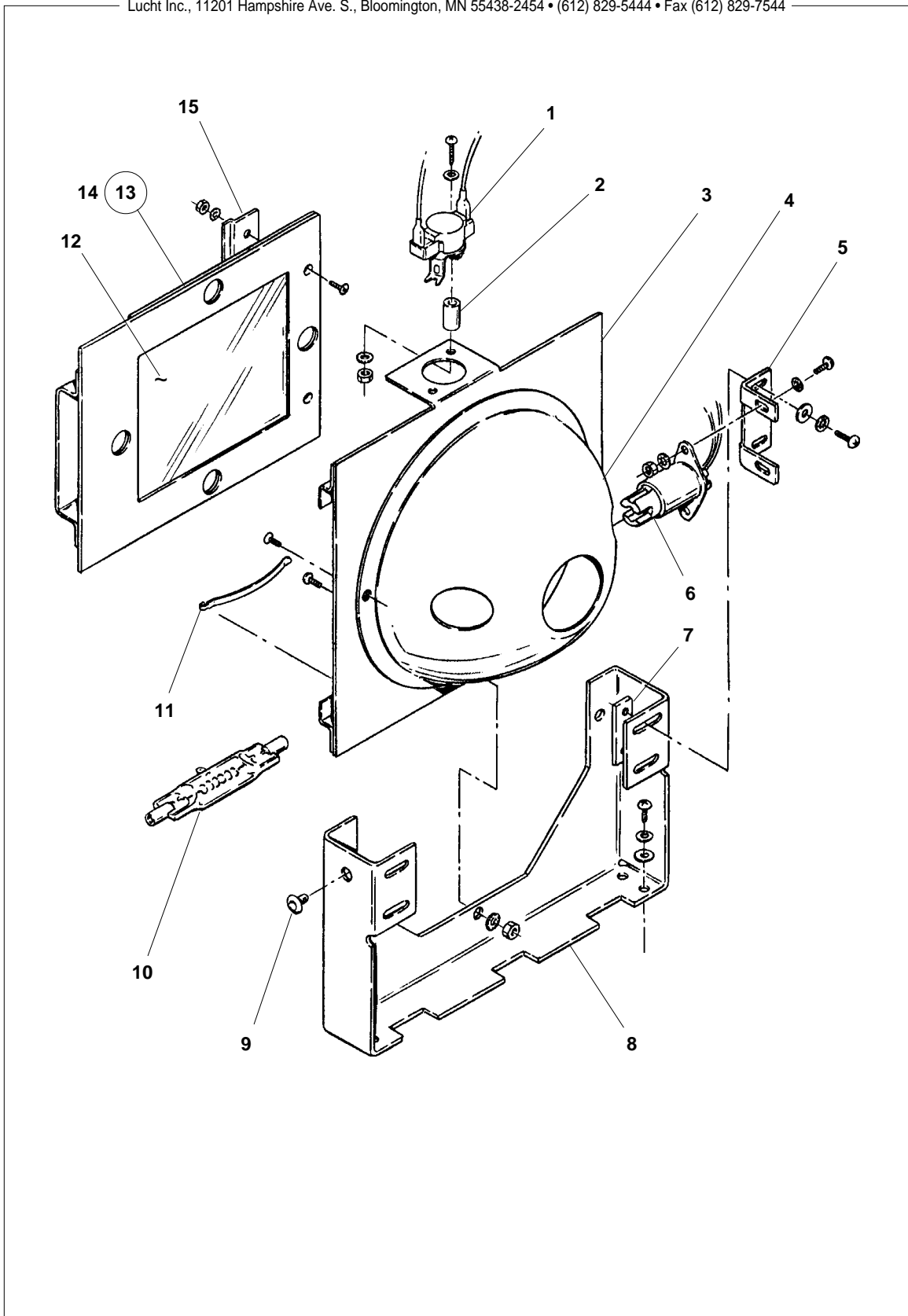
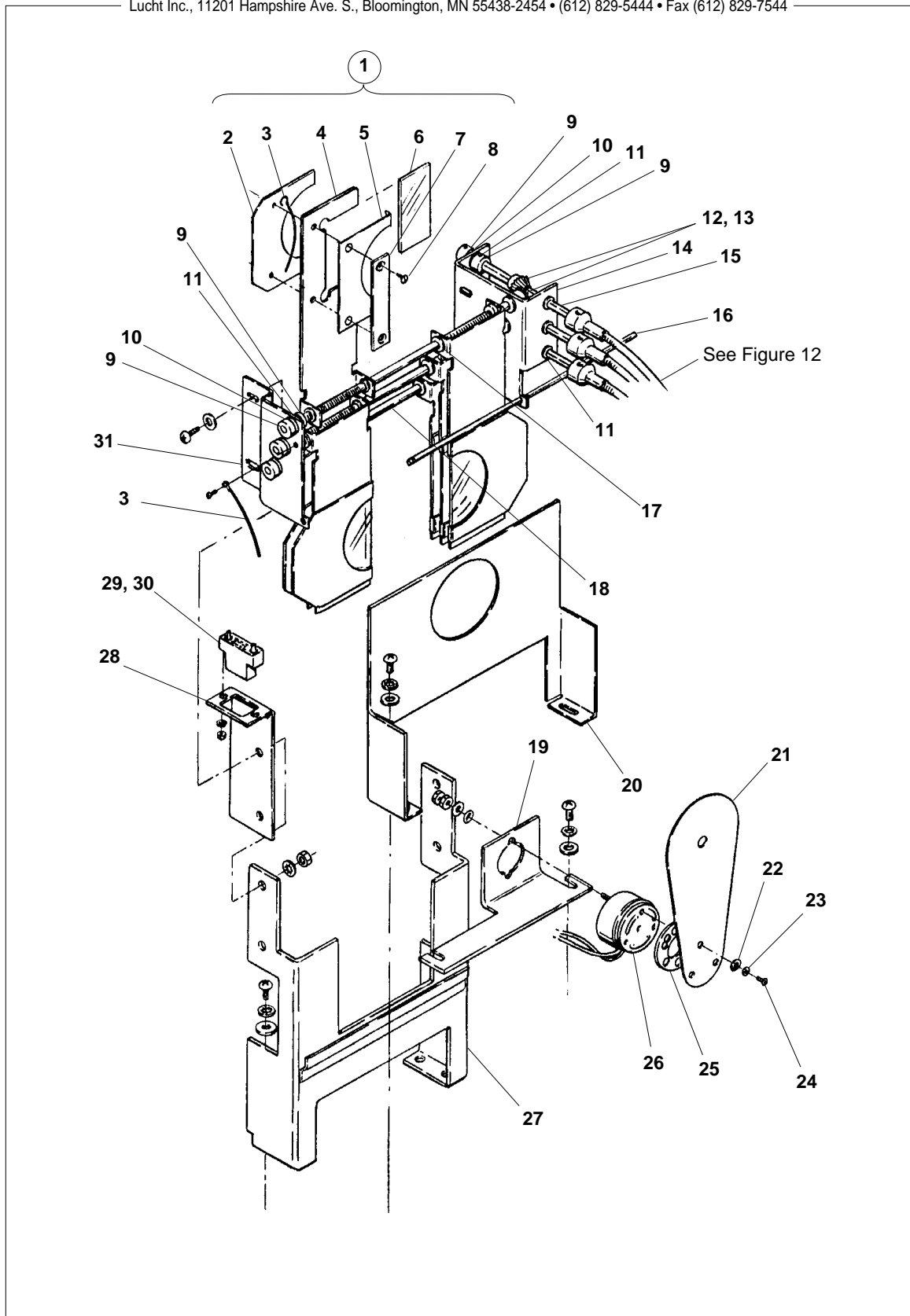


Figure 13 — Lamp Reflector Assembly, Part 2

Lamp Reflector Assembly, Part 3

<i>Item</i>	<i>Part #</i>	<i>Description</i>
1	150225	Filter Assembly - Cyan, Left
1	150226	Filter Assembly - Cyan, Right
1	150227	Filter Assembly - Magenta, Left
1	150228	Filter Assembly - Magenta, Right
1	150229	Filter Assembly - Yellow, Left
1	150230	Filter Assembly - Yellow, Right
2	250512	Plate - Nut, Dichroic
3	280526	Spring - Dichroic
4	150236	Holder - Filter, Cyan, Left
4	150237	Holder - Filter, Cyan, Right
4	150238	Holder - Filter, Magenta, Left
4	150239	Holder - Filter, Magenta, Right
4	150240	Holder - Filter, Yellow, Left
4	150241	Holder - Filter, Yellow, Right
5	250513	Plate - Spring, Dichroic
6	701405	Filter - Dichroic, Cyan
6	701406	Filter - Dichroic, Magenta
6	701407	Filter - Dichroic, Yellow
7	110559	Bridge Plate - Dichroic
8	701200	Screw - SFH, 2-56 x .188
9	701398	Collar - .19 ID x .42
10	280523	Spacer - .44 OD x .257 ID x .10
11	701399	Bearing - Snap-In
12	160210	Gear - Miter
13	700347	Screw - Set, 6 - 32 x .19
14	220410	Mount - Dichroic, Right
15	280528	Shaft - Transfer
16	270257	Rod - Stop, Dichroic
17	700930	Bearing - Snap-In
18	280530	Shaft - Dichroic
19	362442	Bracket - Solenoid
20	362438	Shield - Light
21	110560	Blade - Shutter
22	700385	Washer - Flat, No. 3
23	700859	Washer - Lock, Int. No. 3
24	700580	Screw - SBH, 3 - 48 x .19
25	280527	Spacer - Blade, Solenoid
26	362446	Rotary Solenoid Assembly - Right Rotation
27	130266	Dichroic Rest
28	110547	Bracket - Connector
29	320209	Wire Harness Assembly - Power
30	700046	Connector Block - Socket, 14 Pin
31	220406	Mount - Dichroic, Left

Lucht Inc., 11201 Hampshire Ave. S., Bloomington, MN 55438-2454 • (612) 829-5444 • Fax (612) 829-7544

**Figure 14 — Lamp Reflector Assembly, Part 3**

Flag Filter Kit

<i>Item</i>	<i>Part #</i>	<i>Description</i>
1	362415	Filter Kit Assembly (optional)
2	362416	Filter - Cyan, Assembly
2	362418	Filter - Magenta, Assembly
2	362420	Filter - Yellow, Assembly
2	110560	Blade - Shutter
3	700385	Washer - Flat, No. 3
4	701434	O-Ring
5	700859	Washer - Lock, Int. No. 3
6	702501	Screw - SPH, 3-48 x .25 (for flag filters)
7	362428	Paddle - Cyan and Magenta Filters
7	362429	Paddle - Yellow Filter
8	362422	Bracket - Solenoid
9	362426	Stop - Blade
10	701417	Bushing - Strain Relief
11	320212	Wire Harness - Filter Kit
12	701422	Nut - Hex, 5 - 40
13	362430	Plate - Solenoid
14	270262	Solenoid - Rotary, Cyan and Magenta
14	270263	Solenoid - Rotary, Yellow
14	362446	Solenoid - Shutter Blade
Not Shown	700716	Mount - Adhesive Backed
"	700517	Tie - Cable, 4"
"	280527	Spacer - Blade, Use between 362446 & 110560
"	150244	Cable - Filter Interface, PC 150 and PC 152

Lucht Inc., 11201 Hampshire Ave. S., Bloomington, MN 55438-2454 • (612) 829-5444 • Fax (612) 829-7544

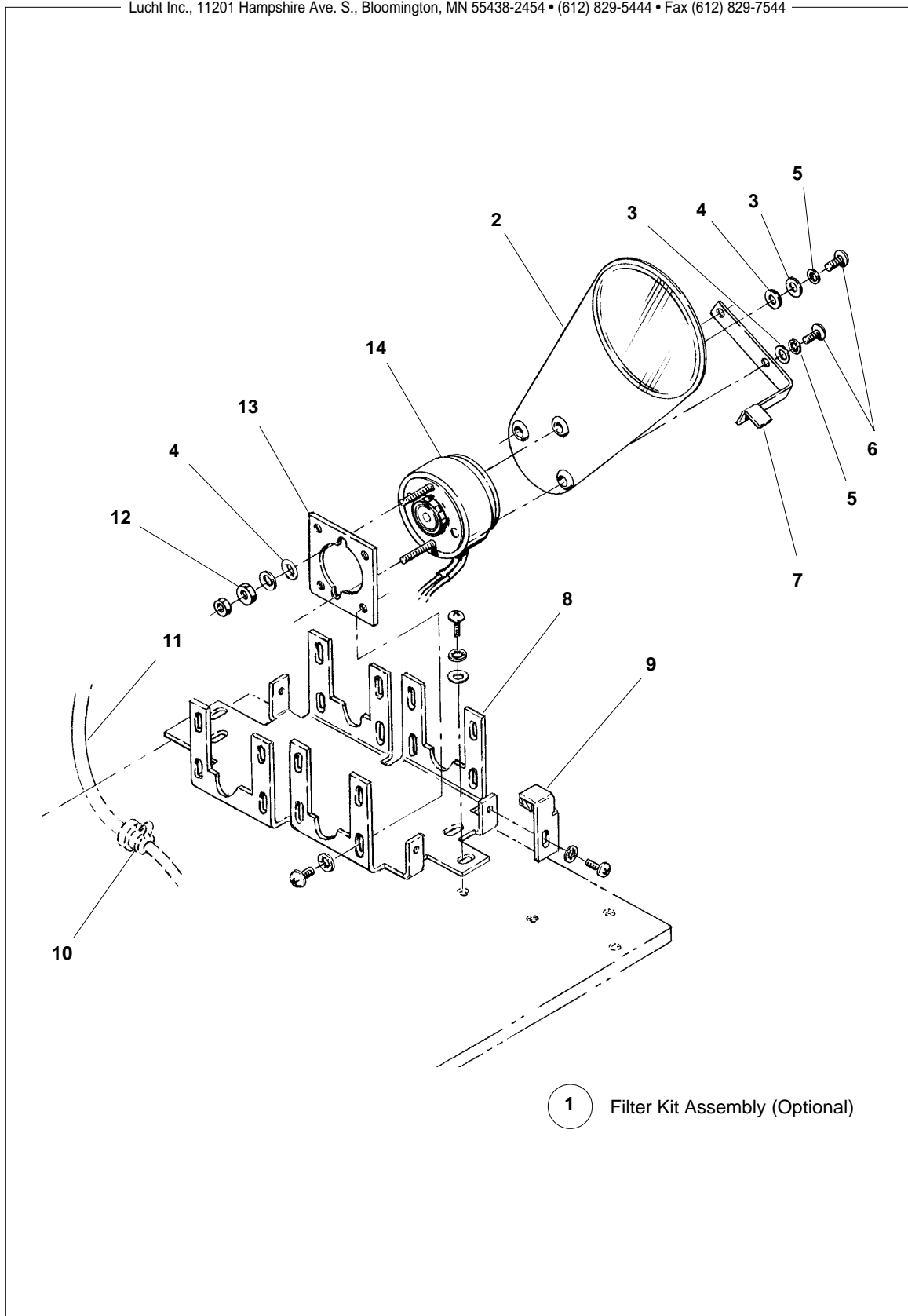


Figure 15 — Flag Filter Kit