

Figure 7 — Schematic Diagram, LSB-2 (362456 B)

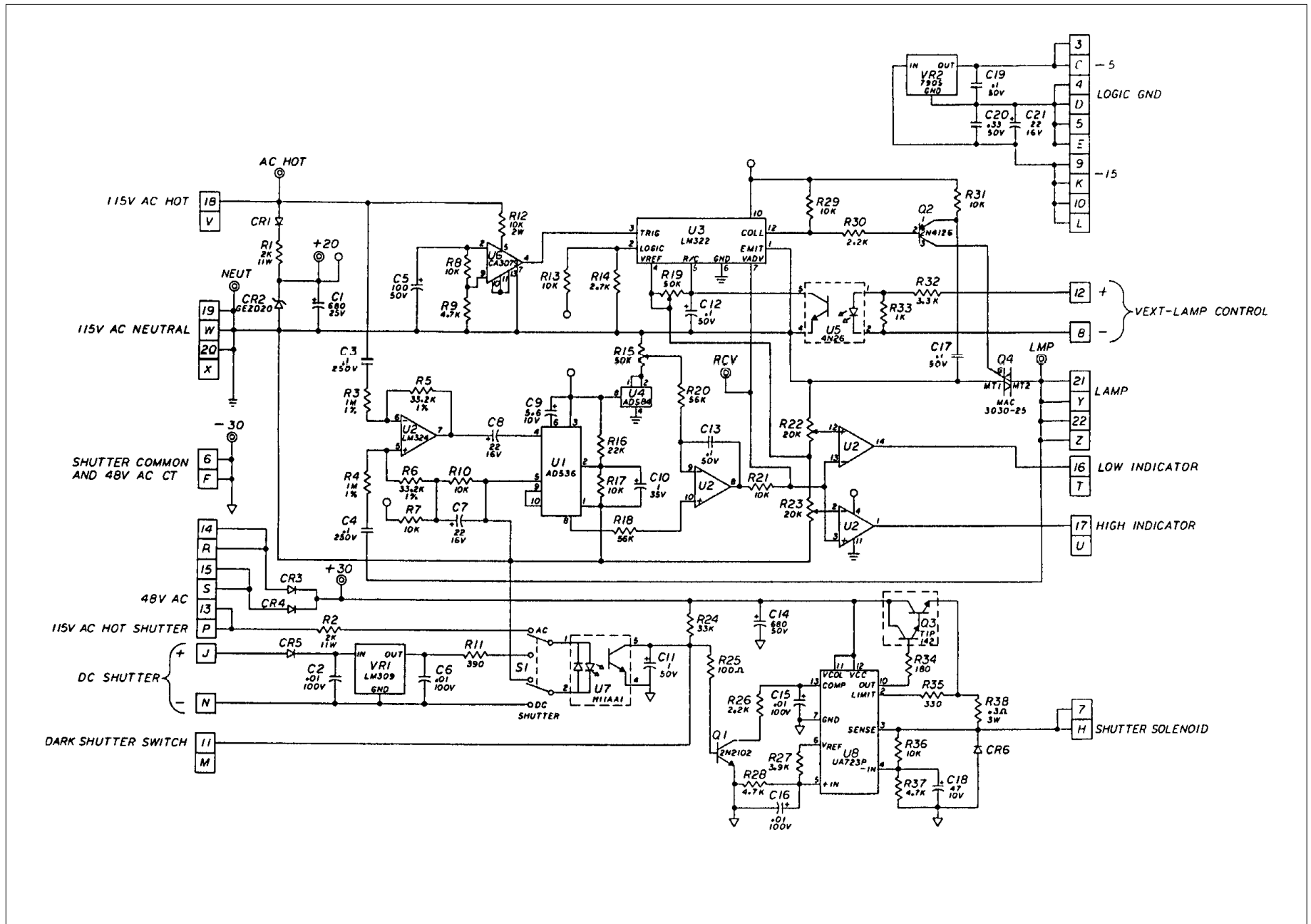


Figure 8 — Schematic Diagram, LDR PCB (362407 B)

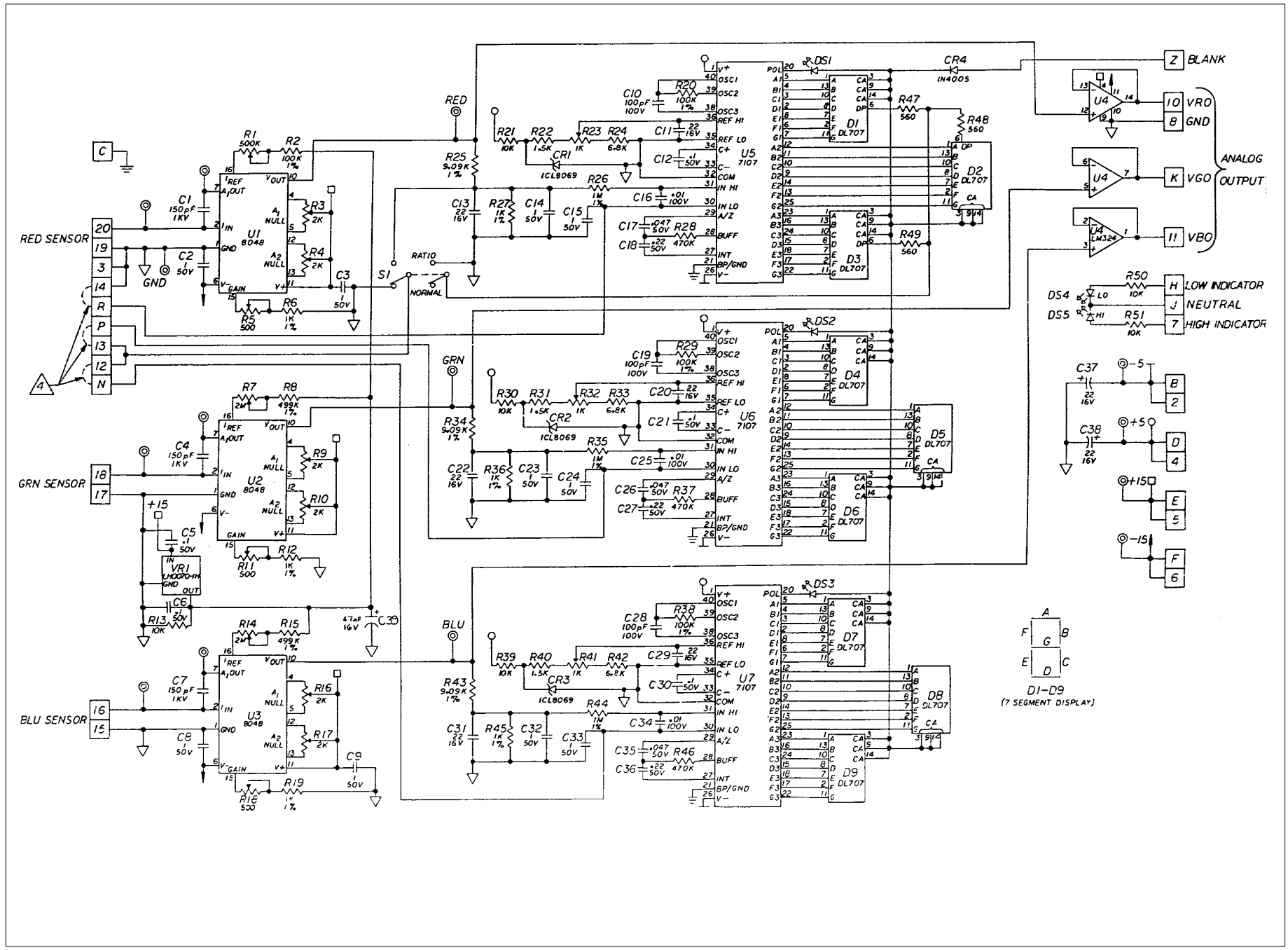


Figure 9 — Schematic Diagram, CTD PCB (362403 D)