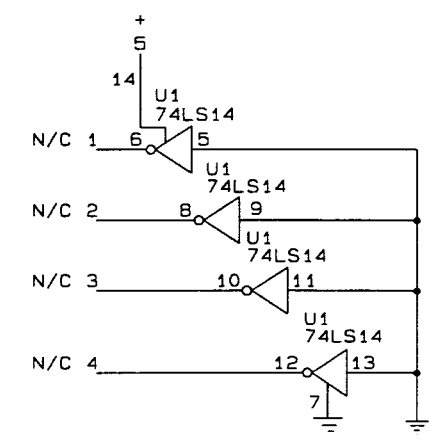
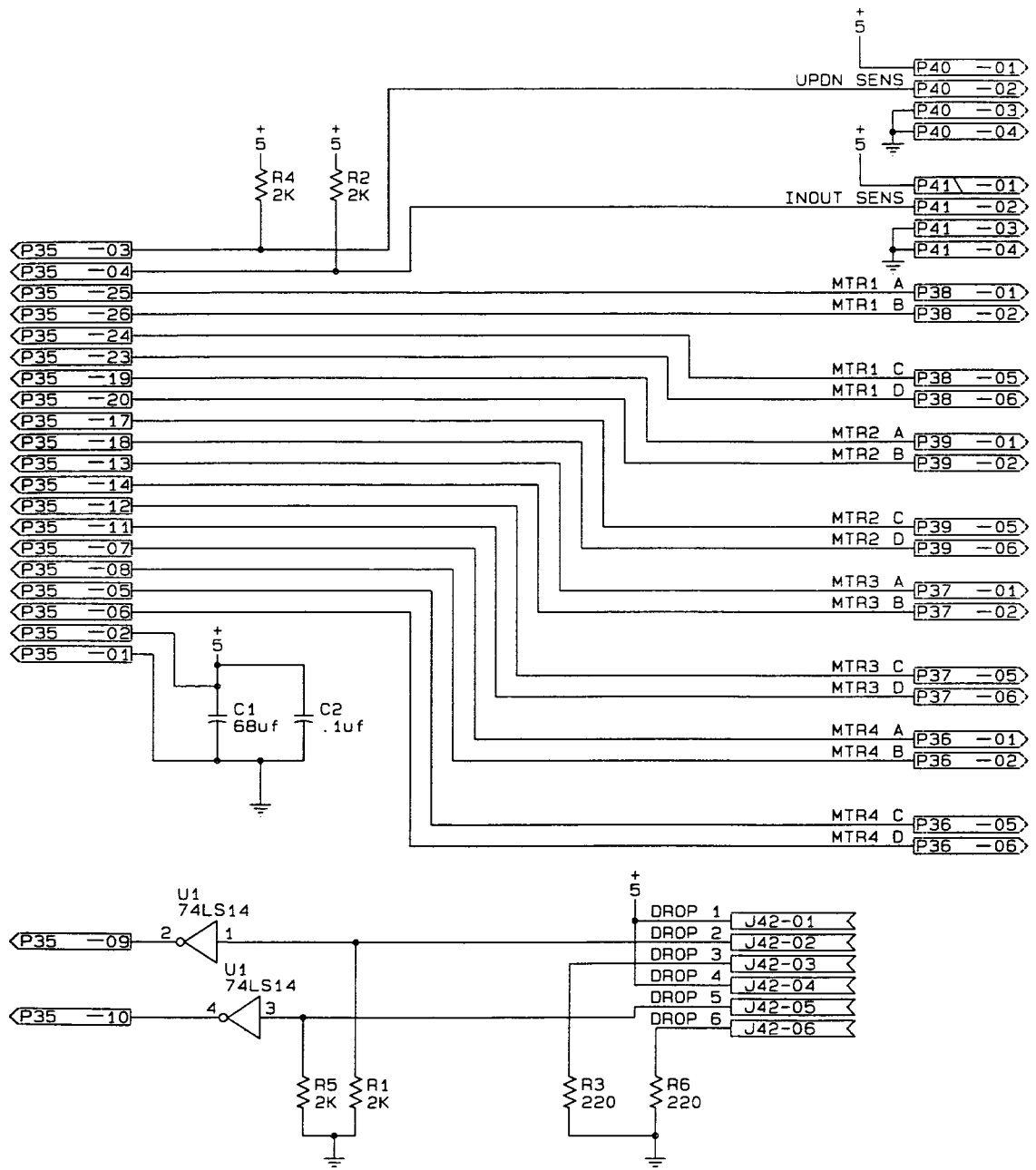


369936 Rev. D

Figure 7 — PCB Schematic, Home and Pick Sensor



369938 Rev. B

Figure 8 — PCB Schematic, Copping Motor

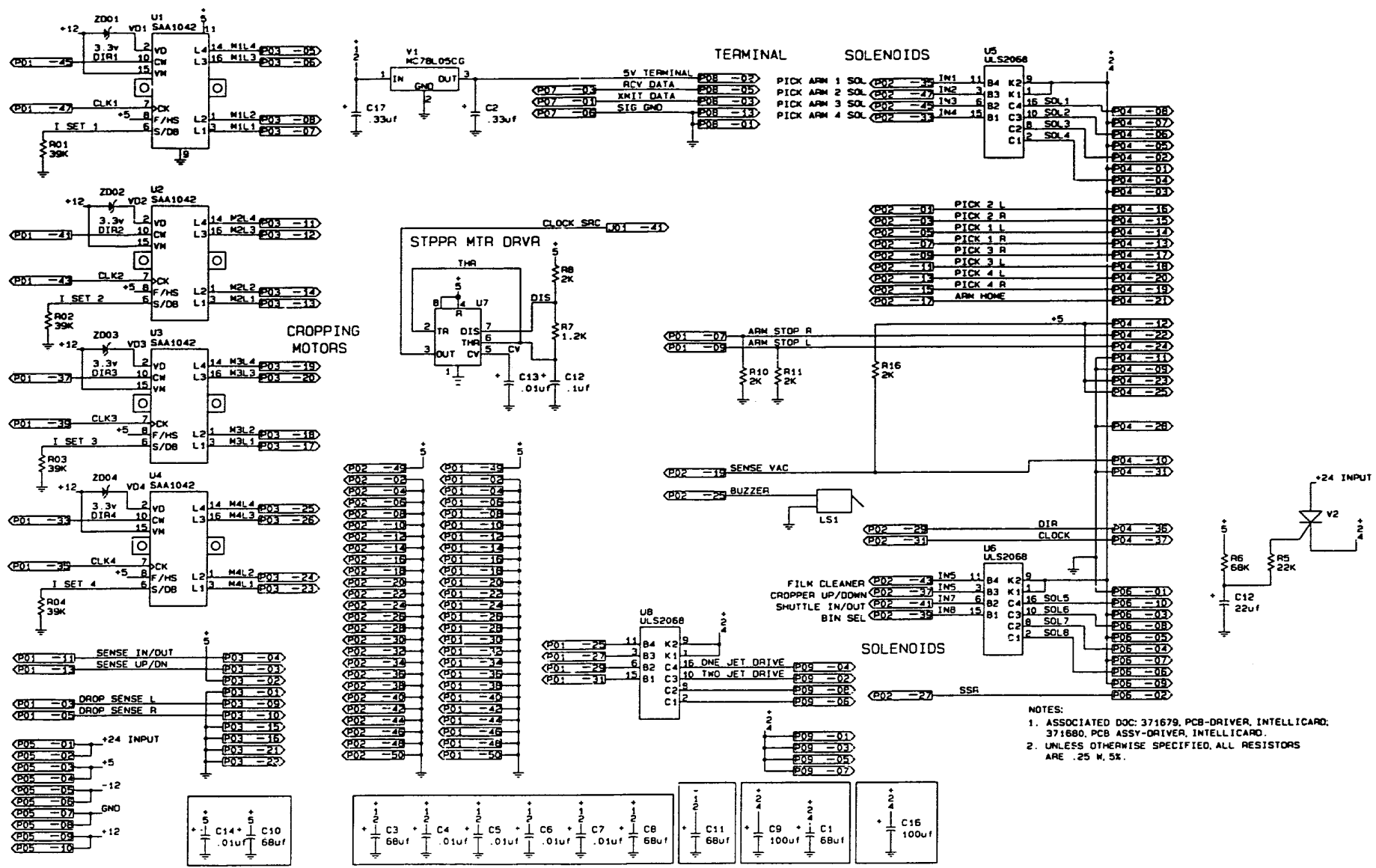


Figure 9 — PCB Schematic, IntelliCard-2 Driver

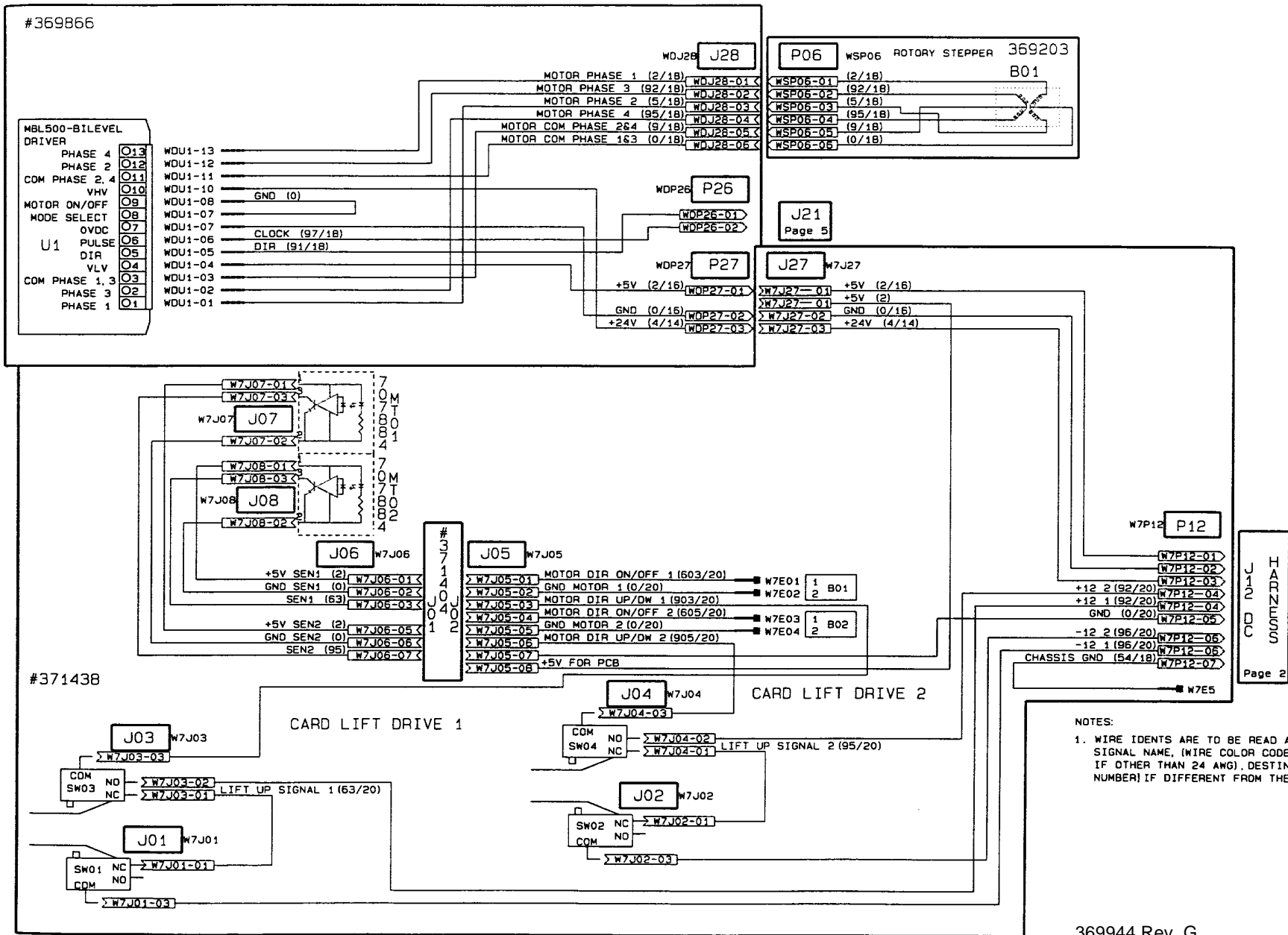


Figure 10 — Machine Schematic, IntelliCard-2 (1 of 5)

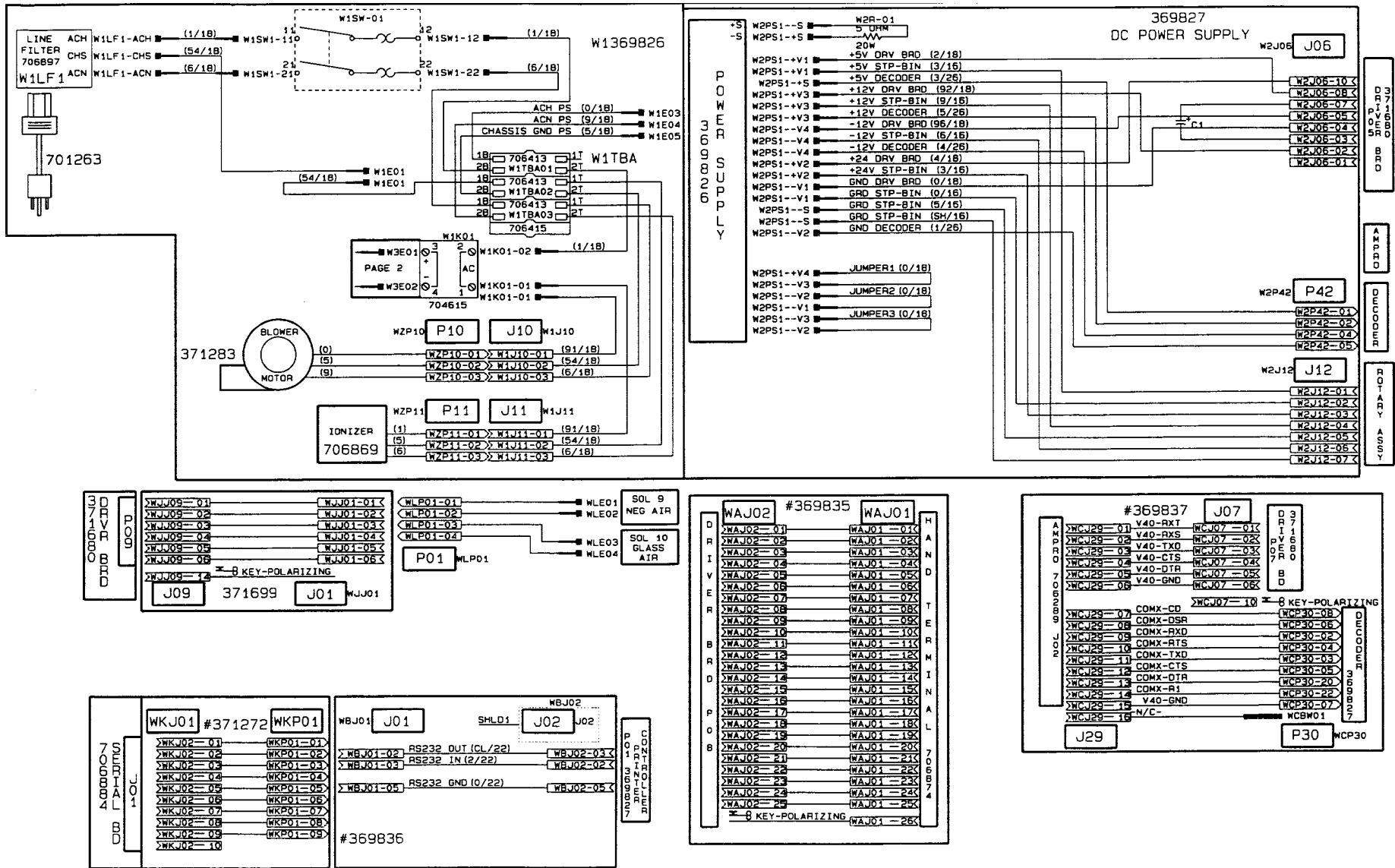
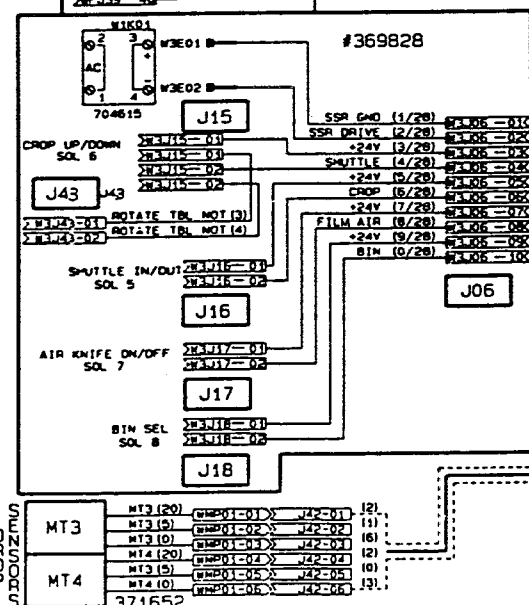


Figure 11 — Machine Schematic, IntelliCard-2 (2 of 5)

#369834			#369834		
DRIVER	W3A-01-01	1001	W3B-02-010	10 01	W3B-02-010
VE	W3A-01-02	1002	W3B-02-020	10 02	W3B-02-020
R	W3A-01-03	1003	W3B-02-030	10 03	W3B-02-030
B	W3A-01-04	1004	W3B-02-040	10 04	W3B-02-040
0	W3A-01-05	1005	W3B-02-050	10 05	W3B-02-050
1	W3A-01-06	1006	W3B-02-060	10 06	W3B-02-060
2	W3A-01-07	1007	W3B-02-070	10 07	W3B-02-070
3	W3A-01-08	1008	W3B-02-080	10 08	W3B-02-080
4	W3A-01-09	1009	W3B-02-090	10 09	W3B-02-090
5	W3A-01-10	1010	W3B-02-100	10 10	W3B-02-100
6	W3A-01-11	1011	W3B-02-110	10 11	W3B-02-110
7	W3A-01-12	1012	W3B-02-120	10 12	W3B-02-120
8	W3A-01-13	1013	W3B-02-130	10 13	W3B-02-130
9	W3A-01-14	1014	W3B-02-140	10 14	W3B-02-140
0	W3A-01-15	1015	W3B-02-150	10 15	W3B-02-150
1	W3A-01-16	1016	W3B-02-160	10 16	W3B-02-160
2	W3A-01-17	1017	W3B-02-170	10 17	W3B-02-170
3	W3A-01-18	1018	W3B-02-180	10 18	W3B-02-180
4	W3A-01-19	1019	W3B-02-190	10 19	W3B-02-190
5	W3A-01-20	1020	W3B-02-200	10 20	W3B-02-200
6	W3A-01-21	1021	W3B-02-210	10 21	W3B-02-210
7	W3A-01-22	1022	W3B-02-220	10 22	W3B-02-220
8	W3A-01-23	1023	W3B-02-230	10 23	W3B-02-230
9	W3A-01-24	1024	W3B-02-240	10 24	W3B-02-240
0	W3A-01-25	1025	W3B-02-250	10 25	W3B-02-250
1	W3A-01-26	1026	W3B-02-260	10 26	W3B-02-260
2	W3A-01-27	1027	W3B-02-270	10 27	W3B-02-270
3	W3A-01-28	1028	W3B-02-280	10 28	W3B-02-280
4	W3A-01-29	1029	W3B-02-290	10 29	W3B-02-290
5	W3A-01-30	1030	W3B-02-300	10 30	W3B-02-300
6	W3A-01-31	1031	W3B-02-310	10 31	W3B-02-310
7	W3A-01-32	1032	W3B-02-320	10 32	W3B-02-320
8	W3A-01-33	1033	W3B-02-330	10 33	W3B-02-330
9	W3A-01-34	1034	W3B-02-340	10 34	W3B-02-340
0	W3A-01-35	1035	W3B-02-350	10 35	W3B-02-350
1	W3A-01-36	1036	W3B-02-360	10 36	W3B-02-360
2	W3A-01-37	1037	W3B-02-370	10 37	W3B-02-370
3	W3A-01-38	1038	W3B-02-380	10 38	W3B-02-380
4	W3A-01-39	1039	W3B-02-390	10 39	W3B-02-390
5	W3A-01-40	1040	W3B-02-400	10 40	W3B-02-400
6	W3A-01-41	1041	W3B-02-410	10 41	W3B-02-410
7	W3A-01-42	1042	W3B-02-420	10 42	W3B-02-420
8	W3A-01-43	1043	W3B-02-430	10 43	W3B-02-430
9	W3A-01-44	1044	W3B-02-440	10 44	W3B-02-440
0	W3A-01-45	1045	W3B-02-450	10 45	W3B-02-450
1	W3A-01-46	1046	W3B-02-460	10 46	W3B-02-460
2	W3A-01-47	1047	W3B-02-470	10 47	W3B-02-470
3	W3A-01-48	1048	W3B-02-480	10 48	W3B-02-480
4	W3A-01-49	1049	W3B-02-490	10 49	W3B-02-490
5	W3A-01-50	1050	W3B-02-500	10 50	W3B-02-500

369942			369833		
J39	W3A-02-01	W3B-01-01			
J40	W3A-02-02	W3B-01-02			
P03	W3A-02-03	W3B-01-03			
J35	W3A-02-04	W3B-01-04			
J35	W3A-02-05	W3B-01-05			
J35	W3A-02-06	W3B-01-06			
J35	W3A-02-07	W3B-01-07			
J35	W3A-02-08	W3B-01-08			
J35	W3A-02-09	W3B-01-09			
J35	W3A-02-10	W3B-01-10			
J35	W3A-02-11	W3B-01-11			
J35	W3A-02-12	W3B-01-12			
J35	W3A-02-13	W3B-01-13			
J35	W3A-02-14	W3B-01-14			
J35	W3A-02-15	W3B-01-15			
J35	W3A-02-16	W3B-01-16			
J35	W3A-02-17	W3B-01-17			
J35	W3A-02-18	W3B-01-18			
J35	W3A-02-19	W3B-01-19			
J35	W3A-02-20	W3B-01-20			
J35	W3A-02-21	W3B-01-21			
J35	W3A-02-22	W3B-01-22			
J35	W3A-02-23	W3B-01-23			
J35	W3A-02-24	W3B-01-24			
J35	W3A-02-25	W3B-01-25			
J35	W3A-02-26	W3B-01-26			
J35	W3A-02-27	W3B-01-27			
J35	W3A-02-28	W3B-01-28			
J35	W3A-02-29	W3B-01-29			
J35	W3A-02-30	W3B-01-30			
J35	W3A-02-31	W3B-01-31			
J35	W3A-02-32	W3B-01-32			
J35	W3A-02-33	W3B-01-33			
J35	W3A-02-34	W3B-01-34			
J35	W3A-02-35	W3B-01-35			
J35	W3A-02-36	W3B-01-36			
J35	W3A-02-37	W3B-01-37			
J35	W3A-02-38	W3B-01-38			
J35	W3A-02-39	W3B-01-39			
J35	W3A-02-40	W3B-01-40			



MT3	MT3 (20)	W3A-01-01	W3B-01-01	W3C-01-01
MT3 (5)	W3A-01-02	W3B-01-02	W3C-01-02	
MT3 (10)	W3A-01-03	W3B-01-03	W3C-01-03	
MT4 (20)	W3A-01-04	W3B-01-04	W3C-01-04	
MT3 (5)	W3A-01-05	W3B-01-05	W3C-01-05	
MT4 (10)	W3A-01-06	W3B-01-06	W3C-01-06	

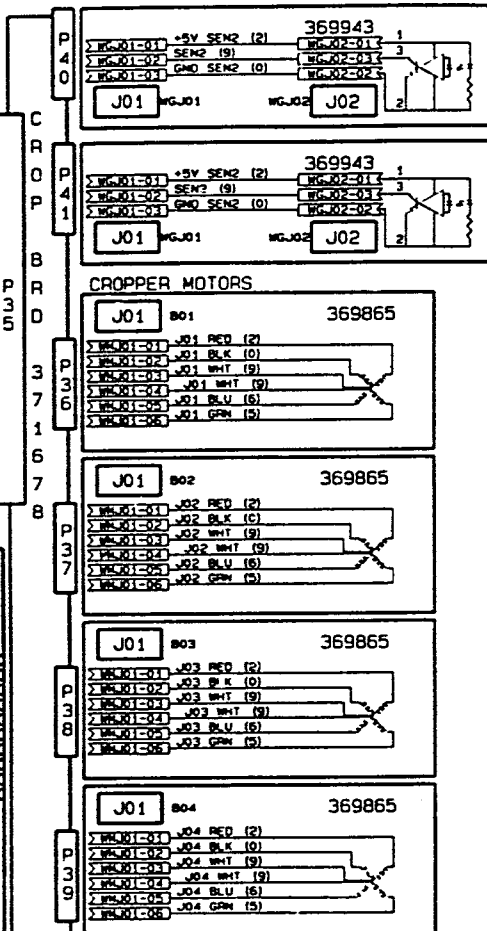


Figure 12 — Machine Schematic, IntelliCard-2 (3 of 5)

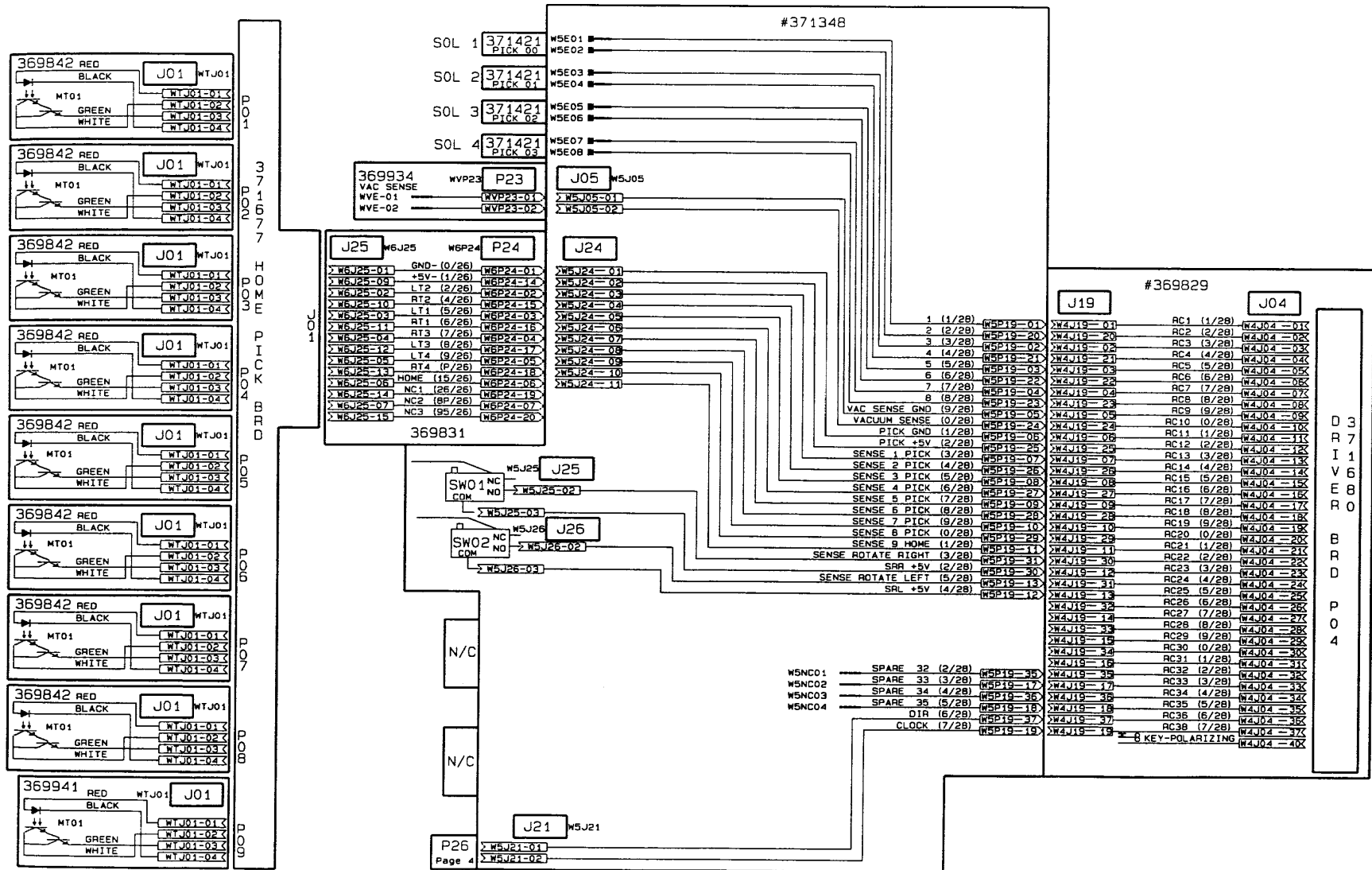


Figure 13 — Machine Schematic, IntelliCard-2 (4 of 5)

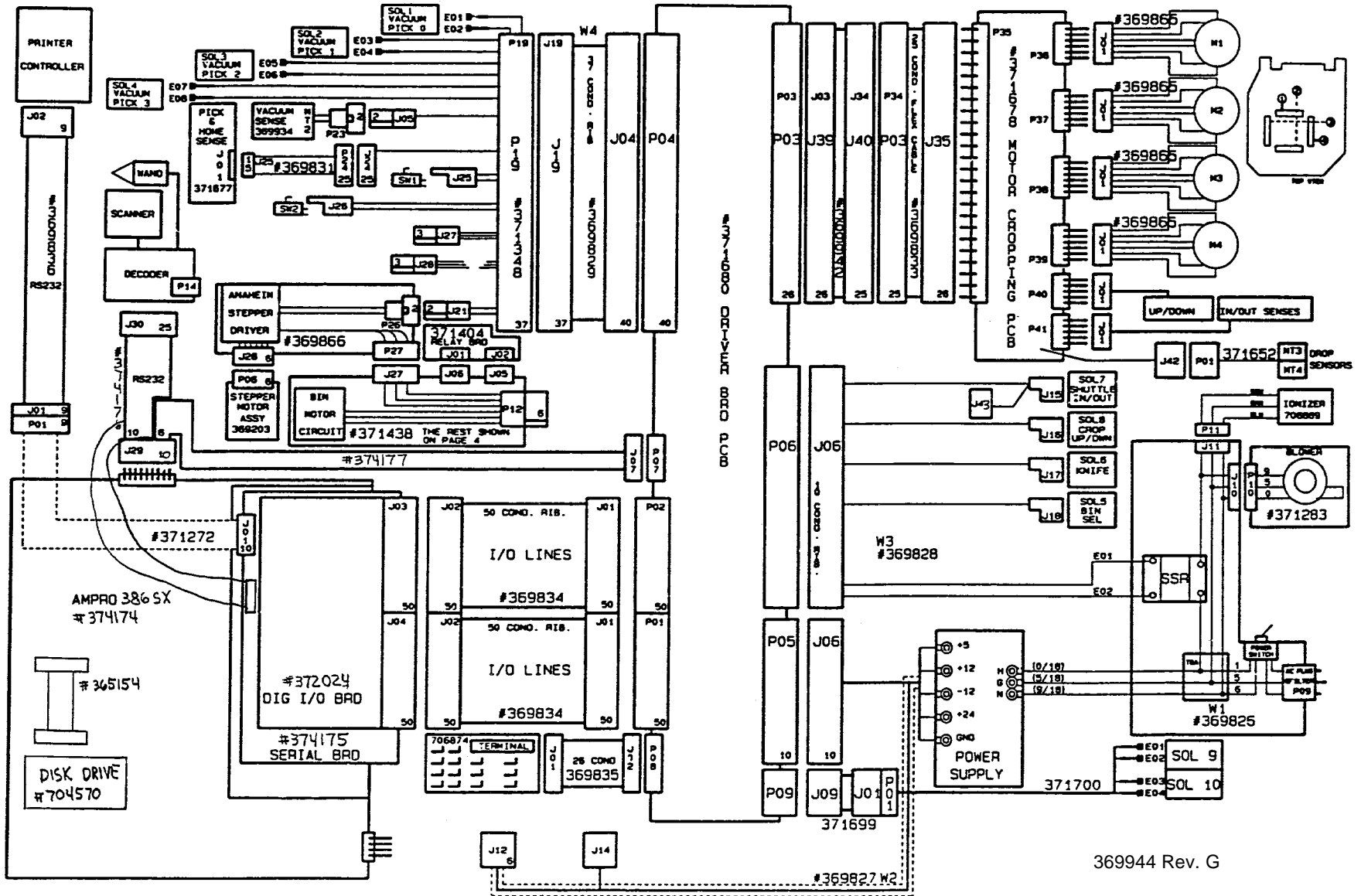
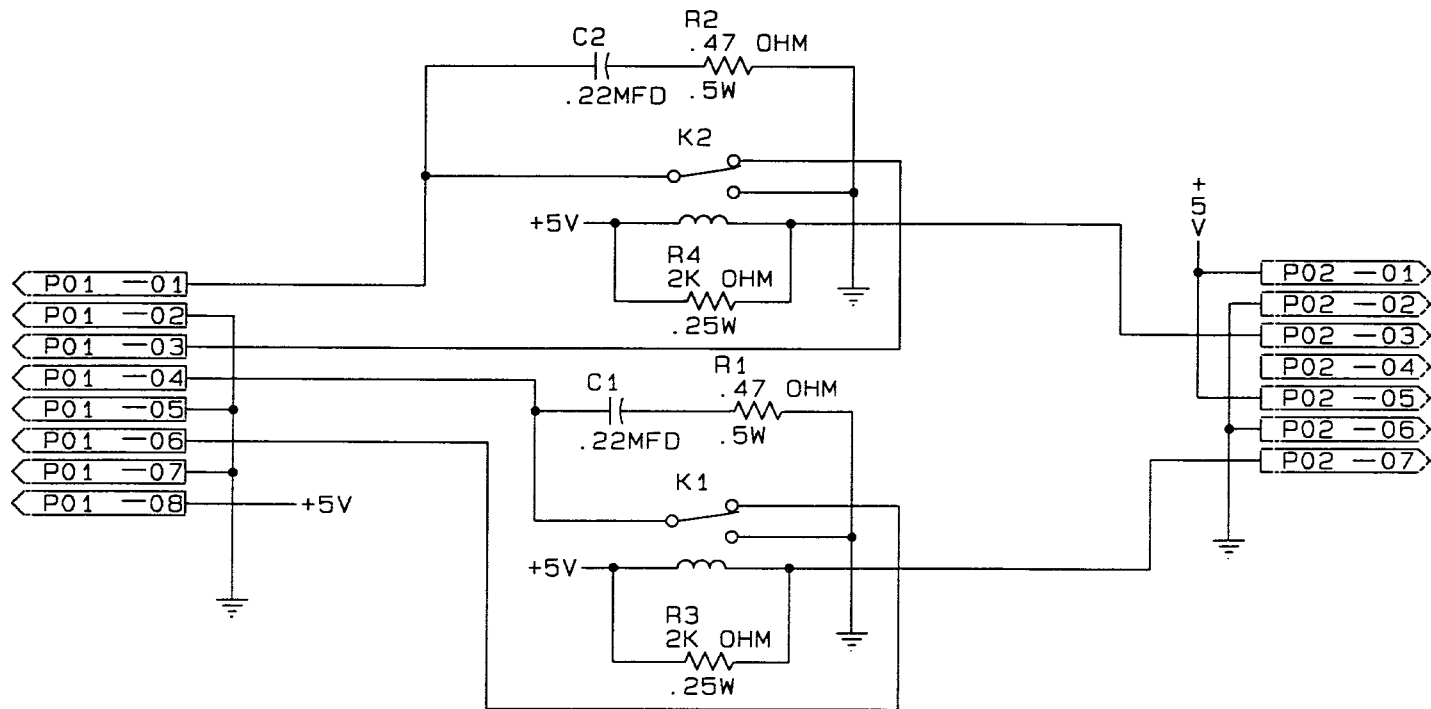
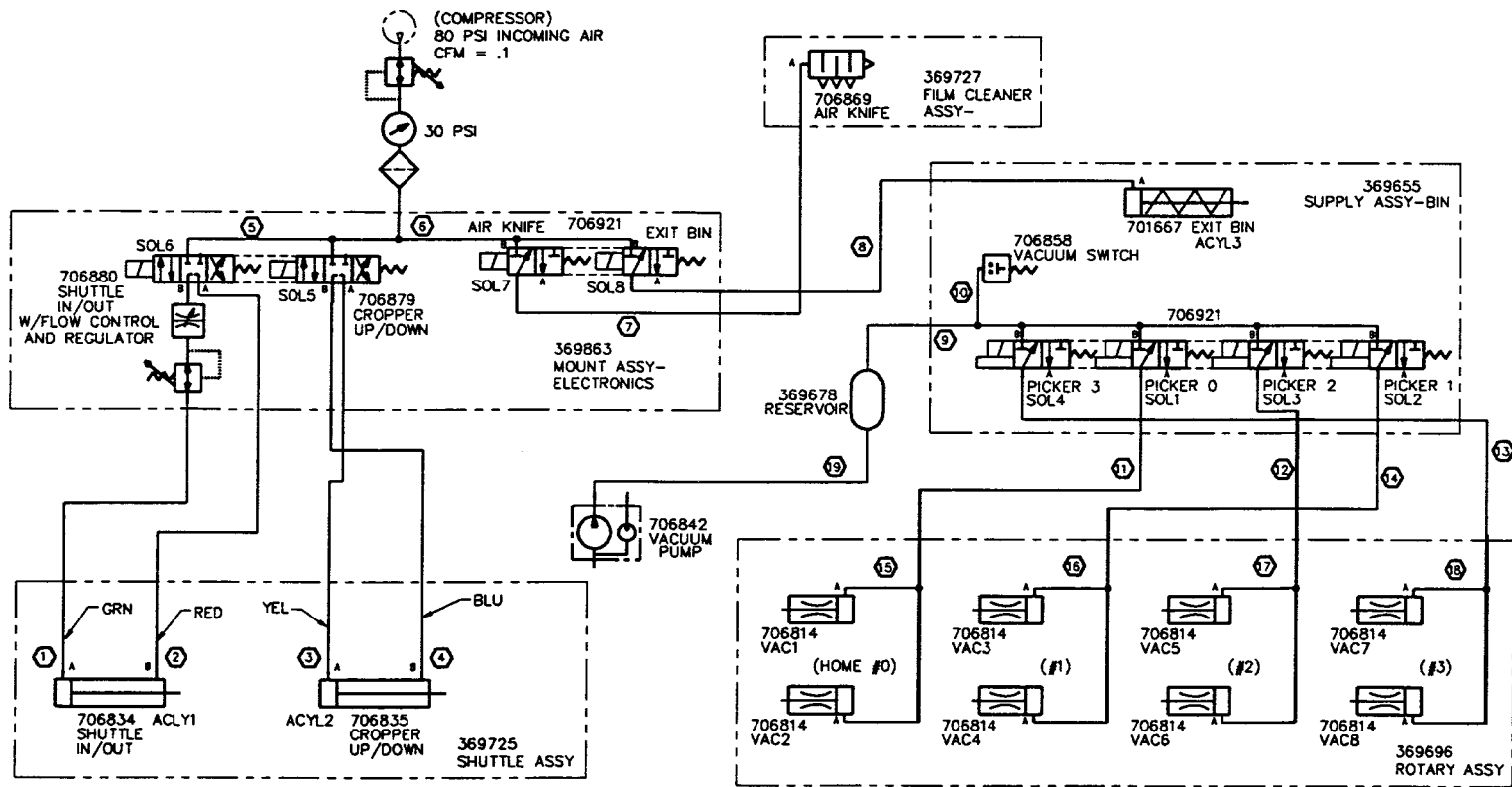


Figure 14 — Machine Schematic, IntelliCard-2 (5 of 5)



371405 Rev. A

Figure 15 — PCB Schematic, Relay



- NOTES:
1. INDICATE TUBING COLOR IF OTHER THAN BLACK OR CLEAR.
 2. LAST NO. INDICATED FOR TUBING IS 19.

371538 Rev. A

Figure 16 — Pneumatic Schematic