

Section 3 — Parts

This section includes parts lists and accompanying drawings for each of the two *Lucht Excellerator Printer Controller Assemblies*, applicable to *Package* and *Single Lens* Printers.

Slight differences exist between the two controller assemblies. A parts list and a set of drawings, reflecting these differences, are included separately for each assembly.

Otherwise the two controllers use certain common subassemblies. Lists and drawings of the common subassemblies follow the lists and drawings pertaining only to either one or the other of the two controllers.

When ordering parts, ensure you order from the list corresponding to the appropriate controller assembly. While some parts interchange between the two assemblies, others do not.

The parts lists and drawings, arranged by the type of controller on which they are used, begin on pages as follows:

- Package Printer Controller Parts 9
- S—Single Lens—Controller Parts 19
- Common Controller Parts 27

Package Printer Controller Parts

Package Printer Controller parts lists and drawings, which apply to the controller used on the *Lucht VP-2, V-7, and Twin Drive Printers*, include the following:

Item No.	Description	Page
366869	Excellerator Package Printer Controller Assembly	10
364758	Power Supply Assembly	15

Excellerator Package Printer Controller Assembly (366869, Rev. 06783)

Item	Part No.	Description	Quantity	Item	Part No.	Description	Quantity
1	210260	Label, Caution.....	1.000	42	701385	Screw, Mch, PFH, 4-40 x .38, Blk	12.000
2	210270	Label, ID, SM	1.000	43	701542	Screw, Mch, PPH, 4-40 x .31, Blk	4.000
3	361148	Guide, Handle	2.000	44	706402	Kit, Parts, Screw, Lock, Female, Long, 4-40	1.000
4	364710	Switch, Cover	1.000	45	701488	Adhesive, Sealant, Thread Lock'g, Med Str	0.005
5	706588	Cable, Control, Push/Pull, 60.0 L	1.000	46	702528	Screw, Mch, PFH, 6-32 x .25, Blk	5.000
6	364728	Panel, Access, UPC2	1.000	47	702688	Screw, Tpg, PPH, No. 6 x .25, Blk	8.000
7	364754	Mount, Hinge, .375 x .625 x 2.94	2.000	48	703804	Latch, Panel, Front	1.000
8	364758	Power Supply Assy	1.000	49	703805	Handle, Pull, SouthCo Pull	1.000
9	368882	PCB Assy, MOD	1.000	50	703806	Hinge, Panel, Access	1.000
10	368726	Bracket W/F, Front, Panel	1.000	51	703864	Switch, Rocker, DPST, W/Lamp	1.000
11	366602	Filter, Air	1.000	52	704315	Spacer, 6-32 ID, .25 OD, .50 L	6.000
12	366604	Bezel, Controller	1.000	53	702491	Nut, Hex, Lock, 10-32, Nylock Ring	4.000
13	366774	Frame Wldmt, Controller	1.000	54	704563	PCB Assy, Industrial I/O	1.000
14	366776	Panel Wldmt, Front	1.000	55	704598	Operator, Rocker, No Lens	1.000
15	366796	PCB Assy, A/D Converter/Timer	1.000	56	704697	Outlet, Power, Female Snap-in, 6-A Max..	2.000
16	369025	Wire Harness, Controller, Excel'r, Univ'l..	1.000	57	701739	Connector,Adptr,BNC Jack-To-Jack,1.49L	1.000
18	366866	Computer Subassy, TT PC Series	1.000	58	706090	Trim, U-Channel, Flexible	0.600
19	368820	LED Assy, Access Indicator, Hard Drive ..	1.000	59	368689	Cable Assy, Video, VGA	1.000
20		(omitted intentially)		60	706329	Rivet, Blind, .126/.130 D, Wht	2.000
21	367094	Wire Harness, Line Printer, TruTrac 7	1.000	61	701764	Fan, 115-VAC,50/60Hz, 21/19-W, .28/.40-A	1.000
22	367095	Wire Harness, Keyboard, TruTrac 7	1.000	62	706352	Clip, Fastening	4.000
23	368108	Label, Controller, Excellerator	1.000	63	706406	Nut, Slf Tap—die, 6-32, Locking, Nylon....	6.000
24	368177	Cover Wldmt, Power Supply, Controller ...	1.000	64	701161	Nut, Hex, Std, 6-32, Blk, .25 Flat	12.000
25	369060	Housing, Power Supply, Excell	1.000	65	700605	Washer, Flat, No. 6, Blk	15.000
26	700072	Screw, MCH, PPH, 8-32 x .38, Blk	4.000	67	700091	Screw, Cap, SK, 6-32 x .50, Blk	6.000
27	700079	Screw, Cap, SKBHC, 6-32 x .38, Blk	6.000	68	700547	Screw, Mch, PPH, 6-32 x .50, Blk	8.000
28	368479	Power Supply Assy, 5-Volt	1.000	69	700555	Screw, Cap, SKFH, 6-32 x .38, Blk	4.000
29	700135	Washer, Lock, Int, No. 4, Blk	4.000	72	701727	Nut, Hex, Lock, 8-32, Nylon Insert	3.000
30	706302	Screw, Cap, SKBHC, 4-40 x .38, Blk	4.000	73	700318	Screw, Mch, PPH, 6-32 x .38, SST	2.000
31	700382	Washer, Lock, Int, No. 8, Blk	4.000	75	704397	PCB, Serial-I/O, 4-Channel	1.000
32	700386	Washer, Flat, No. 10, Blk	8.000	76	706586	Spring, Comp, .038 WD, .360 OD, 1.125 FL, 10.829 SR	1.000
33	700589	Nut, Hex, Std, 6-32, Blk	8.000	77	706587	Screw, SHL, SK, .25 x .312, 10-32 x .25,SS	2.000
34	700600	Washer, Lock, Int, No. 6, Blk	18.000	78	368996	Pin, Lock, Drawer	1.000
35	702759	Grommet, Rubber, Round, .125 ID	0.140	79	700100	Screw, Set, SK KCP, 4-40 x .25, Blk	1.000
38	701174	Label, Danger High Voltage	1.000	80	701650	Bush'g,Flange,.129 ID,.253 OD, .25W,Tefn	1.000
39	701061	Adhesive, Misc., Super Bonder	0.005	81	369034	Bracket, Mounting, Connector	1.000
40	701227	Screw, Mch, PPH, 6-32 x .25, Blk	16.000	82	369035	Bracket, Cover, Pin	1.000
41	701271	Washer, Lock, Ext, No. 6, Blk	6.000				

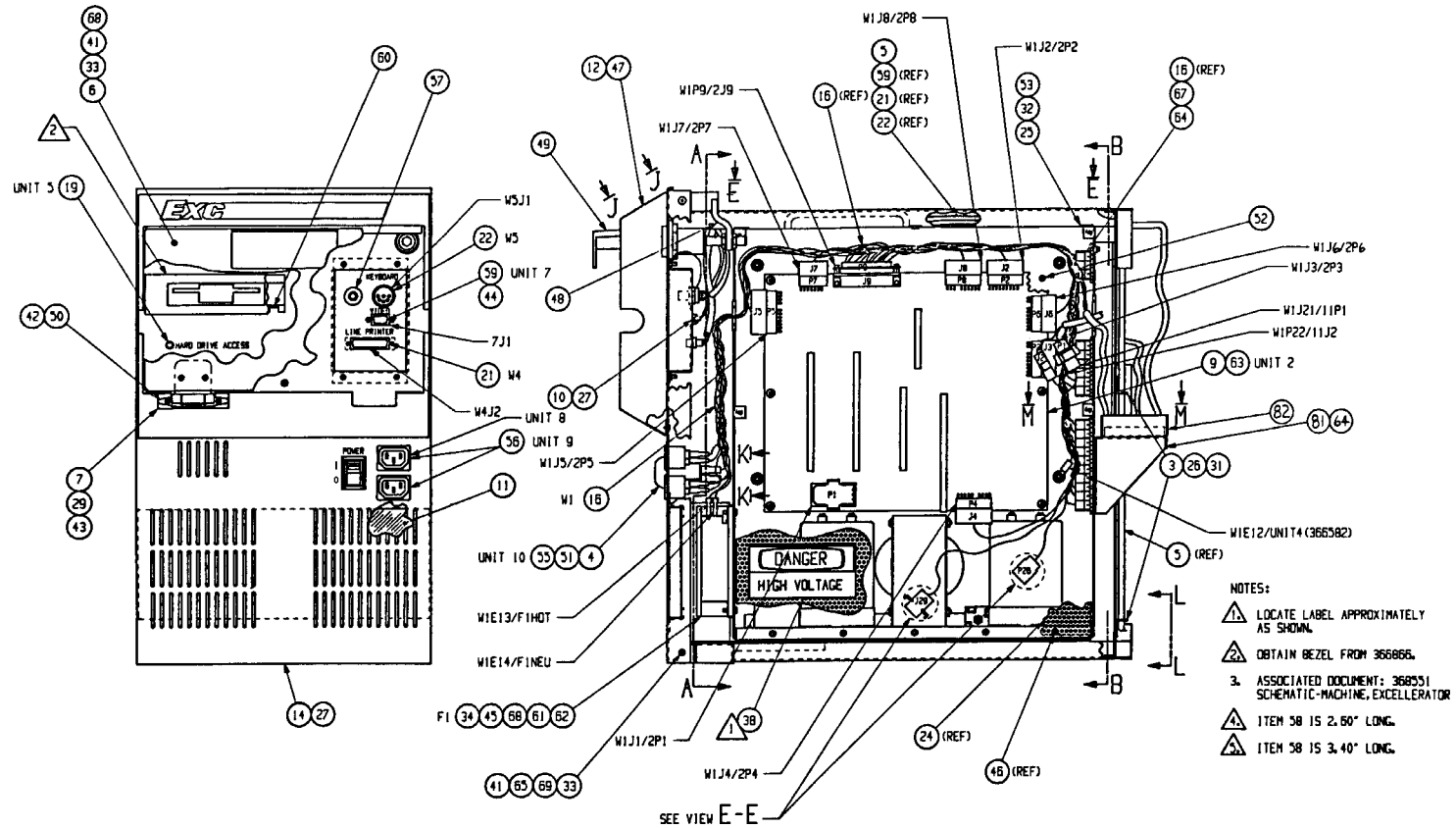


Figure 4 — Excellerator Package Printer Controller Assembly (366869-Sheet 1 of 4)

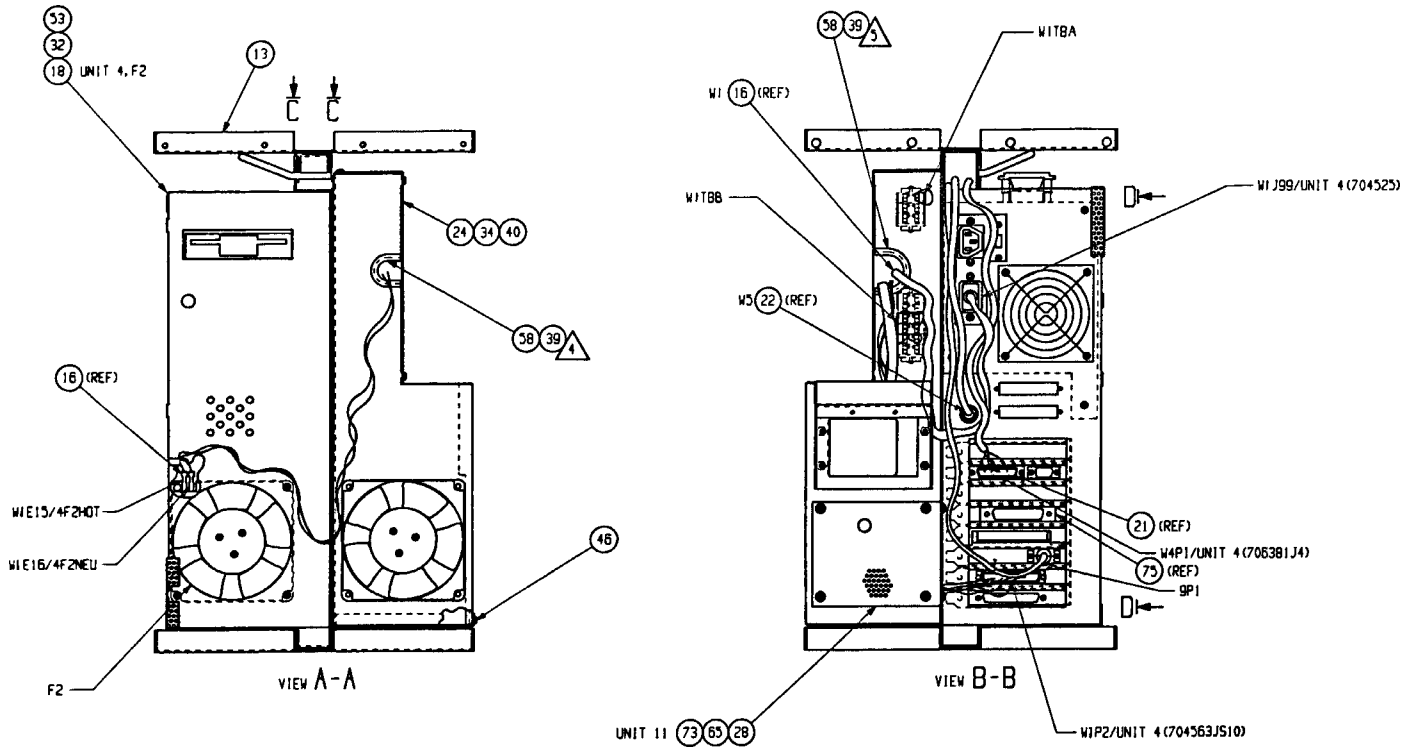


Figure 5 — Excellerator Package Printer Controller Assembly (366869-Sheet 2 of 4)

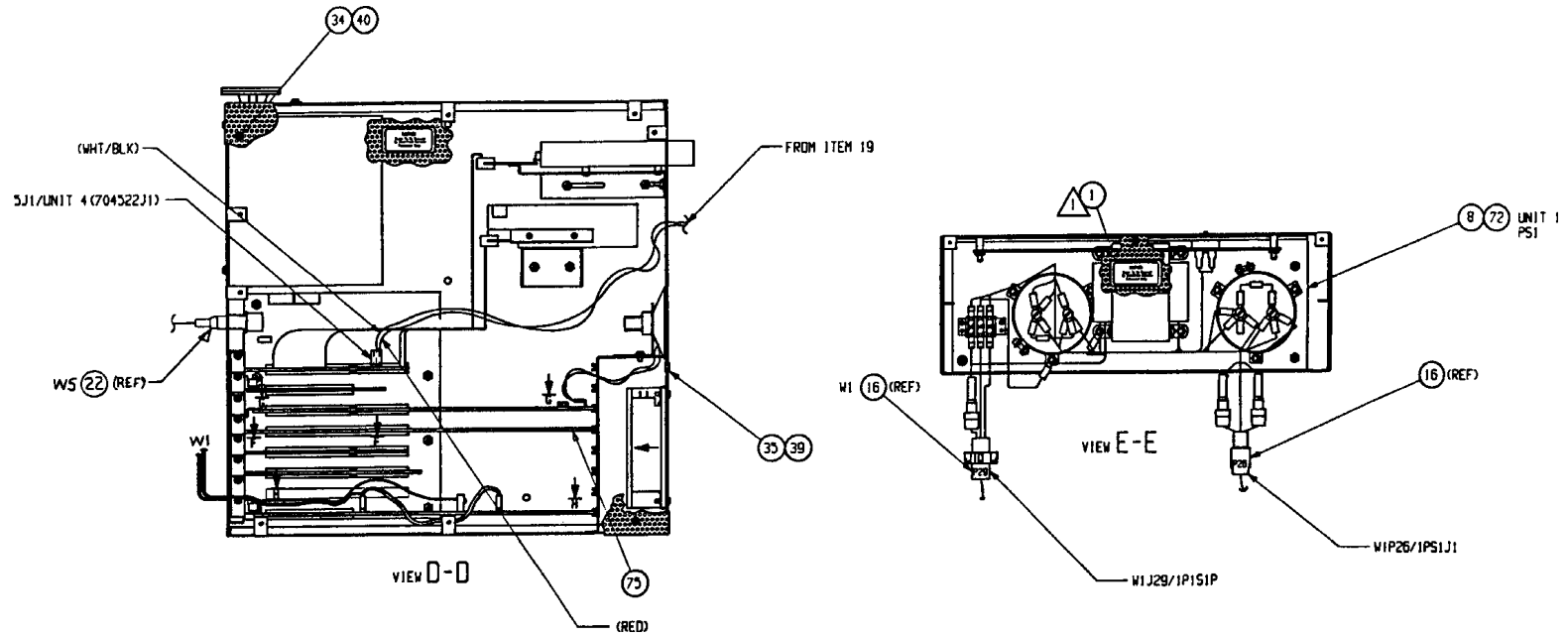


Figure 6 — Excellerator Package Printer Controller Assembly (366869-Sheet 3 of 4)

Power Supply Assembly (364758)

The *Power Supply Assembly* parts list and drawing following apply to the power supply used in the *Lucht Excellerator Controllers* installed in VP-2, V-7, and Twin Drive Printers.

Power Supply Assembly (364758)

Item	Part No.	Description	Quantity	Item	Part No.	Description	Quantity
1	364767	Tray W/F, Power Supply	1.000	20	700851	Terminal, Spade Tongue, 22-18AWG	5.000
2	703034	Transformer, 115-V, 50-60Hz, Prime	1.000	21	- 22	Numbers omitted intentionally	
3	703033	Capacitor, 22000-MFD, 50-V	2.000	23	701161	Nut, Hex, Std, 6-32, Blk, .25 Flat	2.000
4	700042	Connector, Plug, 003 Pin	1.000	24	700663	Terminal Block, 03-Lug, 2-Row	1.000
5	700664	Terminal, Contact, Pin, 22-18AWG	3.000	25	700257	Wire - 14AWG, Strd, Yellow; in feet	2.410
6	703094	Terminal, Contact, Socket, 18-14AWG	4.000	26	703055	Wire - 16AWG, Strd, Wht/Yel; in feet	1.210
7	703031	Rectifier, Bridge, 400-V	1.000	27	- 28	Numbers omitted intentionally	
8	703032	Mount, Capacitor, Use W/703033	2.000	29	700252	Wire - 18AWG, Strd, Brown; in feet	0.310
9	701046	Terminal, Ring, Tongue, 16-14AWG	14.000	30	700669	Wire - 18AWG, Strd, Blue; in feet	0.210
10	701039	Terminal, Q Disc, Socket, 16-14AWG	4.000	31	700488	Tubing, Heat Shrink, .125 ID, Blk; in feet	0.170
11	700517	Cable Tie, Miniature, .75D Bundle	0.005	32	- 33	Numbers omitted intentionally	
12	- 13	Numbers omitted intentionally		34	704249	Wire - 14AWG, Strd, Blk/Yel; in feet	3.580
14	700374	Nut, Hex, Std, 8-32, Blk	11.000	35	706525	Fuse, 3-AG, 7-A, 250-V, S/B	2.000
15	700597	Washer, Lock, Ext, No. 8, Blk	11.000	36	704736	Wire, 18AWG, Strd, Grn/Yel; in feet	1.000
16	701788	Connector, Receptacle, 006 Pin	1.000	37	702983	Fuse Holder, 18-22AWG	3.000
17	701454	Resistor, 2K-OHM, 5-W, 5%	2.000	38	706524	Fuse, 3-AG, 6.25-A, 250-V, S/B	1.000
18	- 19	Numbers omitted intentionally		39	700861	Terminal, Spade Tongue, 16-14AWG	1.000

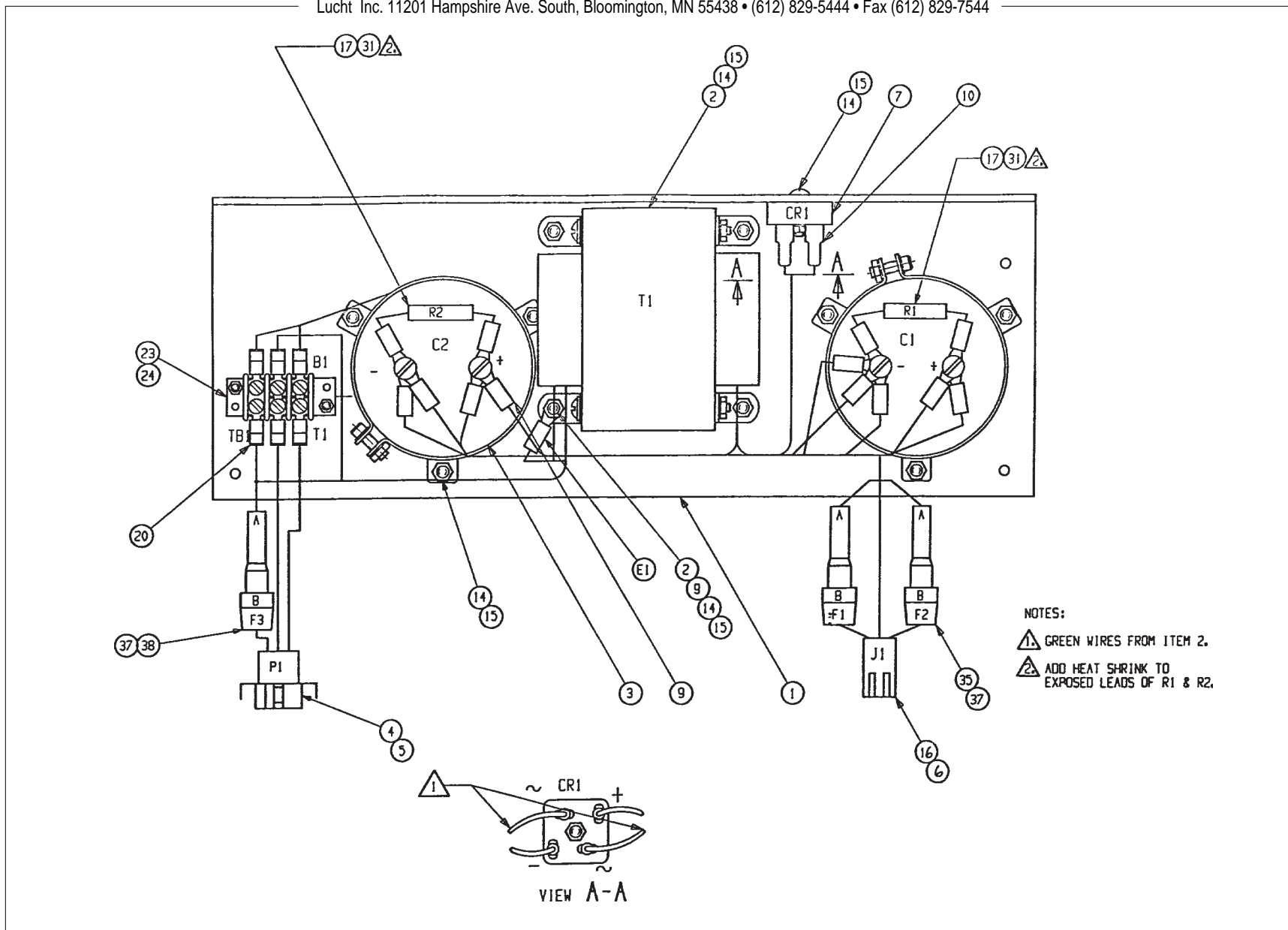


Figure 8 — Power Supply Assembly (364758)

S—Single Lens—Printer Controller Parts

S Printer Controller parts lists and drawings, which apply to the controller used on the *Lucht S*, *BiPlane*, and *AutoMax* Printers, include the following:

Item No.	Description	Page
368296	Excellerator S Printer Controller Assembly	20
367243	Power Supply Assembly, Excellerator S Printer (Controller)	24

Excellerator S—Single Lens—Printer Controller Assembly (368296, Rev. 06661)

Item	Part No.	Description	Quantity	Item	Part No.	Description	Quantity
1	210260	Label, Caution.....	1.000	41	701271	Washer, Lock, Ext, No. 6, Blk	6.000
2	210270	Label, ID, SM	1.000	42	701385	Screw, Mch, PFH, 4-40 x .38, Blk	4.000
3	361148	Guide, Handle	2.000	43	701542	Screw, Mch, PPH, 4-40 x .31, Blk	4.000
4	364710	Switch, Cover	1.000	44	706402	Kit, Parts, Screwlock, Female, Long, 4-40	2.000
5	706588	Cable, Control, Push/Pull, 60.0 L	1.000	45	701727	Nut, Hex, Lock, 8-32, Nylon Insert	3.000
6	364728	Panel, Access	1.000	46	702528	Screw, Mch, PFH, 6-32 x .25, Blk	8.000
7	364754	Mount, Hinge, .375 x .625 x 2.94	2.000	47	702688	Screw, Tpg, PPH, No. 6 x .25, Blk	4.000
8	367243	Power Supply Assy, Excell, S Prt	1.000	48	703804	Latch, Panel, Front	1.000
9	368882	PCB Assy, MOD	1.000	49	703805	Handle, Pull, SouthCo Pull	1.000
10	368726	Bracket W/F, Front, Panel	1.000	50	703806	Hinge, Panel, Access	1.000
11	366602	Filter, Air	1.000	51	703864	Switch, Rocker, DPST, W/Lamp	1.000
12	366604	Bezel, Controller	1.000	52	704315	Spacer, 6-32 ID, .25 OD, .50 L	6.000
13	366774	Frame Wldmt, Controller	1.000	53	702491	Nut, Hex, Lock, 10-32, Nylock, Ring	8.000
14	366776	Panel Wldmt, Front	1.000	55	704598	Operator, Rocker, No Lens	1.000
15	366796	PCB Assy, A/D Converter/Timer	1.000	56	704697	Outlet, Power, Female Snap-in, 6-A Max..	2.000
16	368215	Wire Harness, Controller, S Printer, Excellerator	1.000	57	701739	Connector, Adapter, BNC Jack-To-Jack, 1.49 L	1.000
17	369032	PCB Assy, DG 48	1.000	58	706090	Trim, U-Channel, Flexible	0.600
18	366866	Computer Subassy, TT PC Series	1.000	59	368689	Cable Assy, Video, VGA	1.000
19	368820	LED Assy, Access Indicator, Hard Drive ..	1.000	60	706329	Rivet, Blind, .126/.130 D, Wht	2.000
20	706406	Nut, Slf Tap—die, 6-32, Locking, Nylon....	6.000	61	701764	Fan, 4.75 x 4.75, 115-VAC, 50/60Hz, 21/19 W, .28/.40-A	1.000
21	367094	Wire Harness, Line Printer	1.000	62	706352	Clip, Fastening.....	4.000
22	367095	Wire Harness, Keyboard	1.000	63	368479	Power Supply Assy, 5-Volt	1.000
23	368108	Label, Controller, Excellerator	1.000	64	700318	Screw, Mch, PPH, 6-32 x .38, SST	2.000
24	368177	Cover Wldmnt, Power Supply, Controller .	1.000	65	701488	Adhesive, Sealant, Thread Locking, Medium Strength.....	0.005
25	368214	Housing W/F, Power Supply	1.000	66	704397	PCB, Serial-I/O, 4-Channel	1.000
26	700072	Screw, Mch, PPH, 8-32 x .38, Blk	4.000	67	706586	Spring, Comp, .038 WD, .360 OD, 1.125 FL, 10.829 SR.....	1.000
27	700079	Screw, Cap, SKBHC, 6-32 x .38, Blk	6.000	68	706587	Screw, SHL, SK, .25 x .312, 10-32 x .25, SS	2.000
28	700547	Screw, Mch, PPH, 6-32 x .50, Blk	8.000	69	368996	Pin, Lock, Drawer	1.000
29	700135	Washer, Lock, INT, No. 4, Blk	4.000	70	700100	Screw, Set, SKKCP, 4-40 x .25, Blk	1.000
31	700382	Washer, Lock, INT, No. 8, Blk	4.000	71	701650	Bushing, Flange, .129 ID, .253 OD, .25W, Teflon	1.000
32	700386	Washer, Flat, No. 10, Blk	8.000	72	368942	Cable Assy, Conversion 1, DG48	1.000
33	700589	Nut, Hex, Std, 6-32, Blk	8.000	73	368943	Cable Assy, Conversion 2, DG48	1.000
34	700600	Washer, Lock, INT, No. 6, Blk	20.000				
35	700605	Washer, Flat, No. 6, Blk	15.000				
36	700555	Screw, Cap, SKFH, 6-32 x .38, Blk	4.000				
38	701174	Label, Danger High Voltage.....	1.000				
39	701061	Adhesive, Misc., Super Bonder	0.005				
40	701227	Screw, Mch, PPH, 6-32 x .25, Blk	18.000				

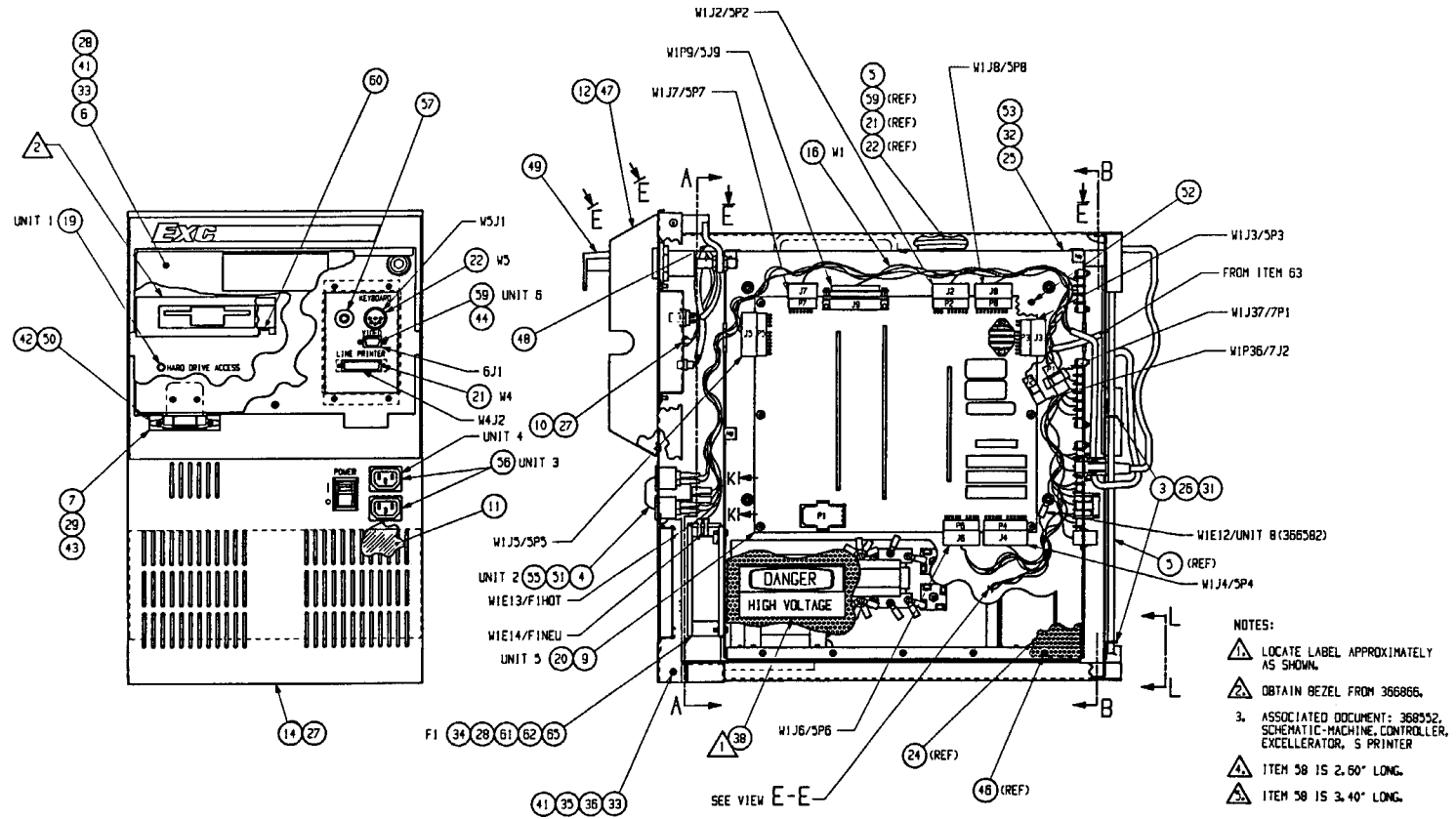


Figure 9 — Excellerator S—Single Lens—Printer Controller Assembly; Sheet 1 of 3

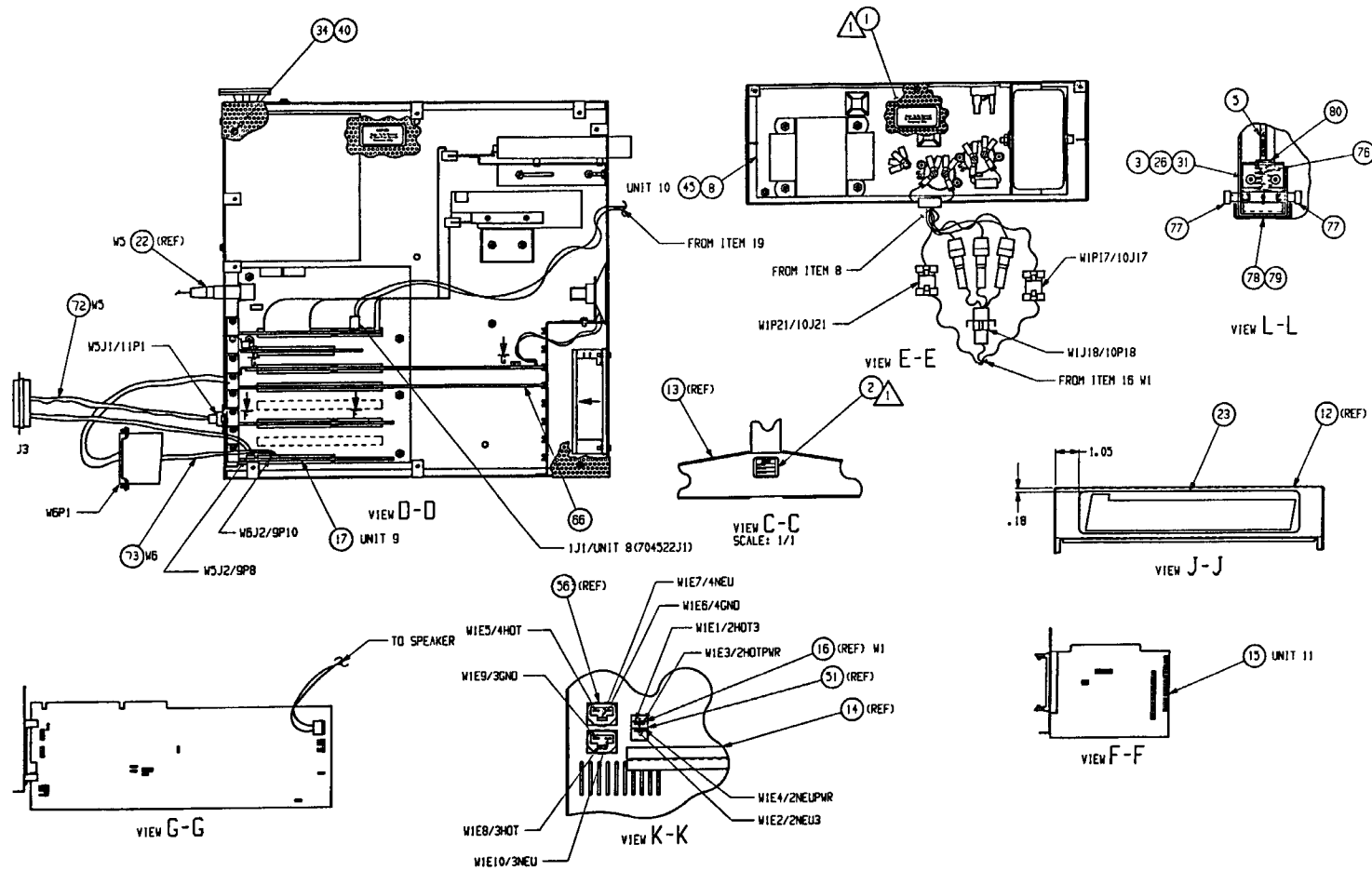


Figure 11 — Excellerator S—Single Lens—Printer Controller Assembly; Sheet 3 of 3

Power Supply Assembly, Excelsior S Printer (Controller) (367243)

Item	Part No.	Description	Quantity	Item	Part No.	Description	Quantity
1	368636	Tray, Power Supply , S Printer Controller	1.000	30	704879	Transformer, Variable Voltage Output	1.000
2	700039	Terminal, Contact, Socket, 18-16AWG	2.000	31	701768	Terminal, Q Disc, Socket, 22-18Awg	1.000
3	700132	Nut, Hex, Std, 10-32, Blk	3.000	32	702720	Fuse, 3-AG, 7-A, 750-V	2.000
4	700207	Relay, Dpdt, Power	1.000	33		Number omitted intentionally	
5	700238	Terminal, Contact, Socket, 22-18AWG	6.000	34	703002	Connector, Plug, 006 Pin	1.000
6		Number omitted intentionally		35	703008	Connector, receptacle, 006 Pin	1.000
7	704739	Wire - 16AWG, Strd, Brown; in feet	1.916	36	703031	Rectifier, Bridge, 400-V	2.000
8	703356	Wire - 18AWG, Strd, Blk/Yel; in feet	4.750	37	704341	Capacitor, Electrolytic, 4800-MFD, 50-V ..	2.000
9	700374	Nut, Hex, Std, 8-32, Blk	8.000	38	704342	Clamp, Capacitor	2.000
10	701766	Fuse, 3-AG, 5-A, 250-V, F/B	1.000	39	702983	Buse Holder, 18-22AWG	3.000
11	- 12	Numbers omitted intentionally		40	704857	Wire, 14AWG, Strd, Brown; in feet	1.166
13	700257	Wire - 14AWG, Strd, Yellow; in feet	1.250	41	704741	Cable Tie, Marker	3.000
14	701251	Wire-16AWG, Strd, Violet; in feet	1.708	42	704817	Transformer, Toroid, 2 x 117 Prim, 2 x 117 Sec, 300-VA, W/Type 300L Brkt ...	1.000
15	700517	Cable Tie, Miniature, .75D Bundle	0.005	43	700594	Nut, Hex, Std, 1/4-20, Blk	1.000
16	700528	Terminal, Contact, Pin, 18-16AWG	4.000	44	700144	Washer, Flat, 1/4, Blk	2.000
17	700589	Nut, Hex, Std, 6-32, Blk	4.000	45	701834	Screw, Cap, Sk, 1/4-20 x 3.00, Blk	1.000
18	700597	Washer, Lock, Ext, No. 8, Blk	8.000	46	700604	Washer, Lock, Ext, 1/4, Blk	1.000
19	700138	Washer, Lock, Ext, No. 10, Blk	3.000	47	700598	Washer, Lock, Int, 1/4, Blk	1.000
20	700386	Washer, Flat, No. 10, Blk	2.000	48	700716	Mount, Adhesive Backed, 1.13 x 1.13 x .24	3.000
21	700675	Wire - 18AWG, Strd, Wht/Orn; in feet	0.833	49		Number omitted intentionally	
22	704738	Wire - 16AWG, Strd, Blu; in feet	2.041	50	700647	Resistor, 24.3-Ohm, .50-W, 1%	1.000
23	700680	Connector, Receptacle, 012 Pin	1.000	51	701150	Capacitor, Mylar, .1-MFD, 200-V	1.000
24	703055	Wire - 16AWG, Strd, Wht/Yel; in feet	2.291	52		Number omitted intentionally	
25	704973	Wire - 14AWG, Std, Grn/Yel; in feet	0.250	53	700851	Terminal, Spade Tongue, 22-18AWG	2.000
26		Number omitted intentionally		54	701454	Resistor, 2K-Ohm, 5-W, 5%	2.000
27	701039	Terminal, Q Disc, Socket, 16-14AWG	7.000	55	704737	Wire, 16AWG, Strd, Grn/Yel; in feet	0.500
28	701046	Terminal, Ring, Tongue, 16-14AWG	27.000	56	703096	Wire, 16AWG, Strd, Wht/Blk	1.041
29	701271	Washer, Lock, Ext, No. 6, Blk	4.000				

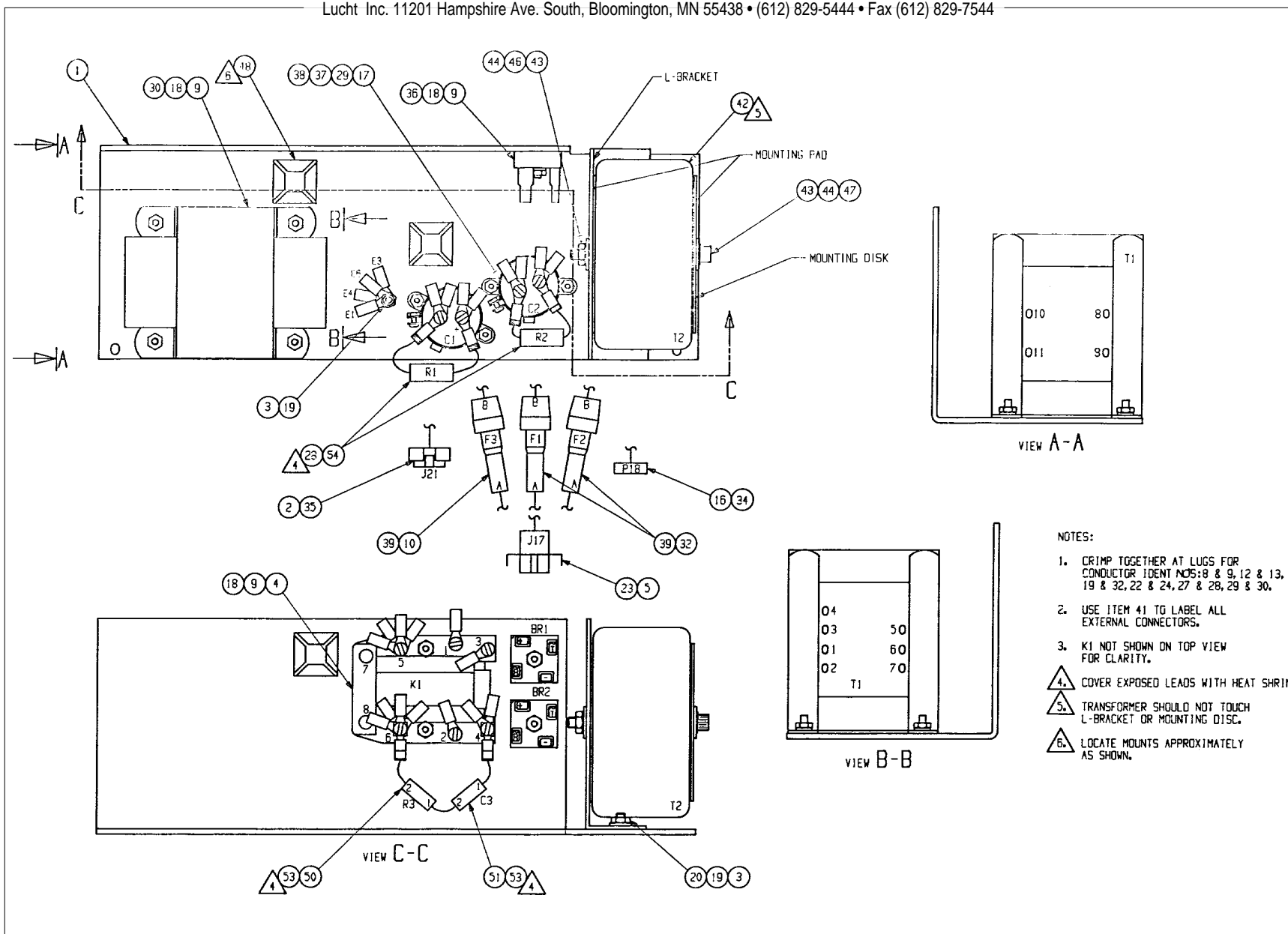


Figure 12 — Power Supply Assembly, Excellerator S Printer (Controller) (367243)

Common Controller Parts

Parts lists and drawings, which are common to both the *Package* and *S—Single Lens* printer controllers, include the following:

Item No.	Description	Page
366866	Computer Subassembly, Excellerator Printer Controller Series	28
368479	Power Supply Assembly, 5-Volt.....	30

Computer Subassembly, Excellerator Printer Controller Series (366866 W/600096 List)

Item	Part No.	Description	Quantity	Item	Part No.	Description	Quantity
1	210260	Label, Caution.....	1.000	1801	700125	Screw, Tpg, PPH, No. 6 x .25, SST	16.000
2	366582	Housing Wldmnt, PC	1.000	1802	700589	Nut, Hex, Std, 6-32, Blk	6.000
3	366583	Plate, Cover	1.000	1803	700600	Washer, Lock, Int, No. 6, Blk	4.000
4	366584	Bracket, Speaker	1.000	1804	701227	Screw, Mch, PPH, 6-32 x .25 Blk	4.000
5	366590	Bracket, Mounting, Floppy	1.000	1805	701271	Washer, Lock, Ext, No. 6, Blk	5.000
6	366593	Bracket, Hard Drive	1.000	1806	704450	Screw, PPH, 3mm x 14mm	4.000
7	366595	Cover, PC	1.000	1807	704520	PCB Assy, PC AT CPU 80286	1.000
8	701764	Fan,115-VAC,50/60Hz, 21/18-W, .29/.24-A	1.000	1808	704522	PCB Assy, Backplane	1.000
9	366857	Speaker Assy	1.000	1809	704524	Battery, 6-V Lithium	1.000
10	366990	Shock Absorber	1.000	1810	704525	Power Supply, PC/AT, 200 Watts	1.000
11	366991	Grommet, Buzzer	1.000	1811	704569	Integrated Circuit, Math Coprocessor, 80287-8	1.000
12	702001	Spacer, 6-32 ID, .25 OD, .25 L Nylon	4.000	1812	704570	Disk Drive, 3.50-inch, High Density	1.000
13	706406	Nut, Slf Tap, 6-32, Locking, Nylon	6.000	1813	704595	Kit, Conversion, Disk Drive, 3.5/5.25	1.000
14	702092	Screw, Mch, PPH, 6-32 x .62, Blk	4.000	1814	706174	PCB Assy, Monitor Driver, VGA, Color	1.000
15	704315	Spacer, 6-32 ID, .25 OD, .50 L	7.000	1815	706176	Disk Drive, Hard, 20 Meg	1.000
16	704726	Guide, PC Bus Card, W/Tension	8.000	1816	706177	PCB Assy, Controller, HD/FD	1.000
17	706352	Clip, Fastening.....	4.000	1817	706178	Cable, Disk Drive FD #1	1.000
18	600096*	Collector, Vendor Computer, Subassembly, Excellerator Printer Controller Series	1.000	1818	706179	Cable, Disk Drive HD #2.....	1.000
				1819	706381	PCB Assy, I/O, Parallel Printer/Serial	1.000

* Parts listing only; see 18__ series of items in column at right, and on accompanying drawing—*Figure 13*.

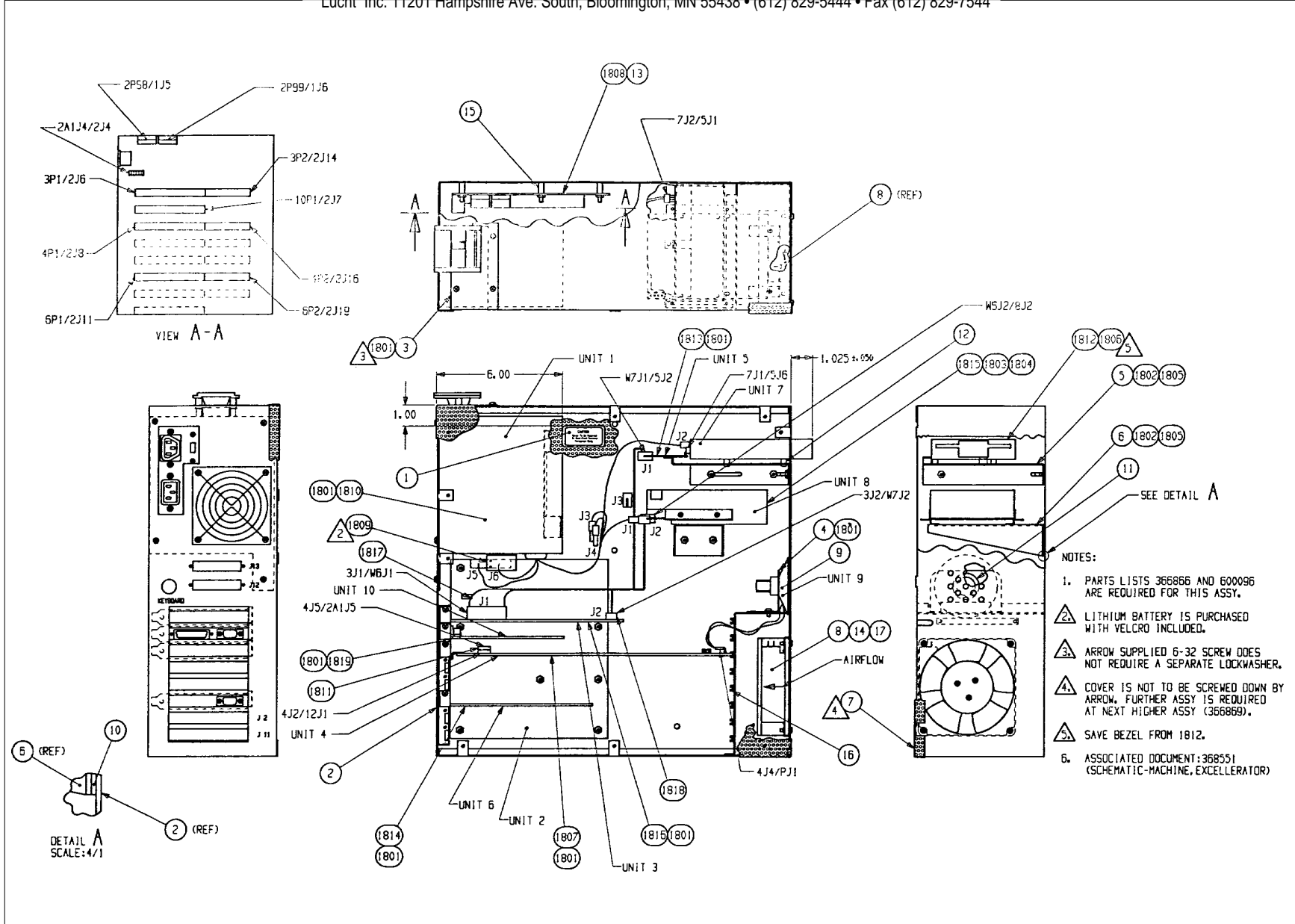


Figure 13 — Computer Subassembly, Excellerator Printer Controller Series (366866)

Power Supply Assembly, 5-Volt (368479)

Item	Part No.	Description	Quantity
1	701784	Pwr Supply 5-V, 3-A, 105/125-VAC, 47/440Hz	1.000
2	702396	Spacer, 6-32 ID, .25 OD, 1.75 L	4.000
3	368475	Cover, Power Supply	1.000
4	700404	Grommet, Rubber	1.000
5	700845	Nut, Slf Clg, 6-32, STL, .056 Thk Min Panel	2.000
6	700318	Screw, Mch, PPH, 6-32 x .38, SST	4.000
7	700142	Washer, Flat, No. 6, Zinc	6.000
8	701791	Connector, Receptacle, 002 Pin	1.000
9	700042	Connector, Plug\ 003 Pin	1.000
10	701558	wire, Jumper, 22AWG, Solid	0.005
11	700248	Wire, 18AWG, Strd, Red; in feet	1.375
12	700253	Wire, 18AWG, Strd, Black; in feet	1.333
13	700252	Wire, 18AWG, Strd, Brown; in feet	1.208
14	700669	Wire, 18AWG, Strd, Blue; in feet	1.250
15		Number omitted intentionally	
16	210260	Label, Caution	1.000
17	700238	Terminal, Contact, Socket, 22-18AWG	2.000
18	700664	Terminal, Contact, Pin, 22-18AWG	2.000
19	700596	Washer, Lock, Int, No. 6, Zinc	4.000
20	701061	Adhesive, Misc, Super Bonder	0.005
21	700517	Cable Tie, Miniature, .75 D Bundle	0.005
22	701230	Standoff, Slf Clg, 60-32 x .50, Stl	2.000
23	700590	Nut, Kep, 6-32, Zinc	2.000
24	702681	Tubing, PVC, .263 ID, .020 W, Blk; in feet	0.833
25	700864	Adhesive, Sealant, RTV Clear	0.005

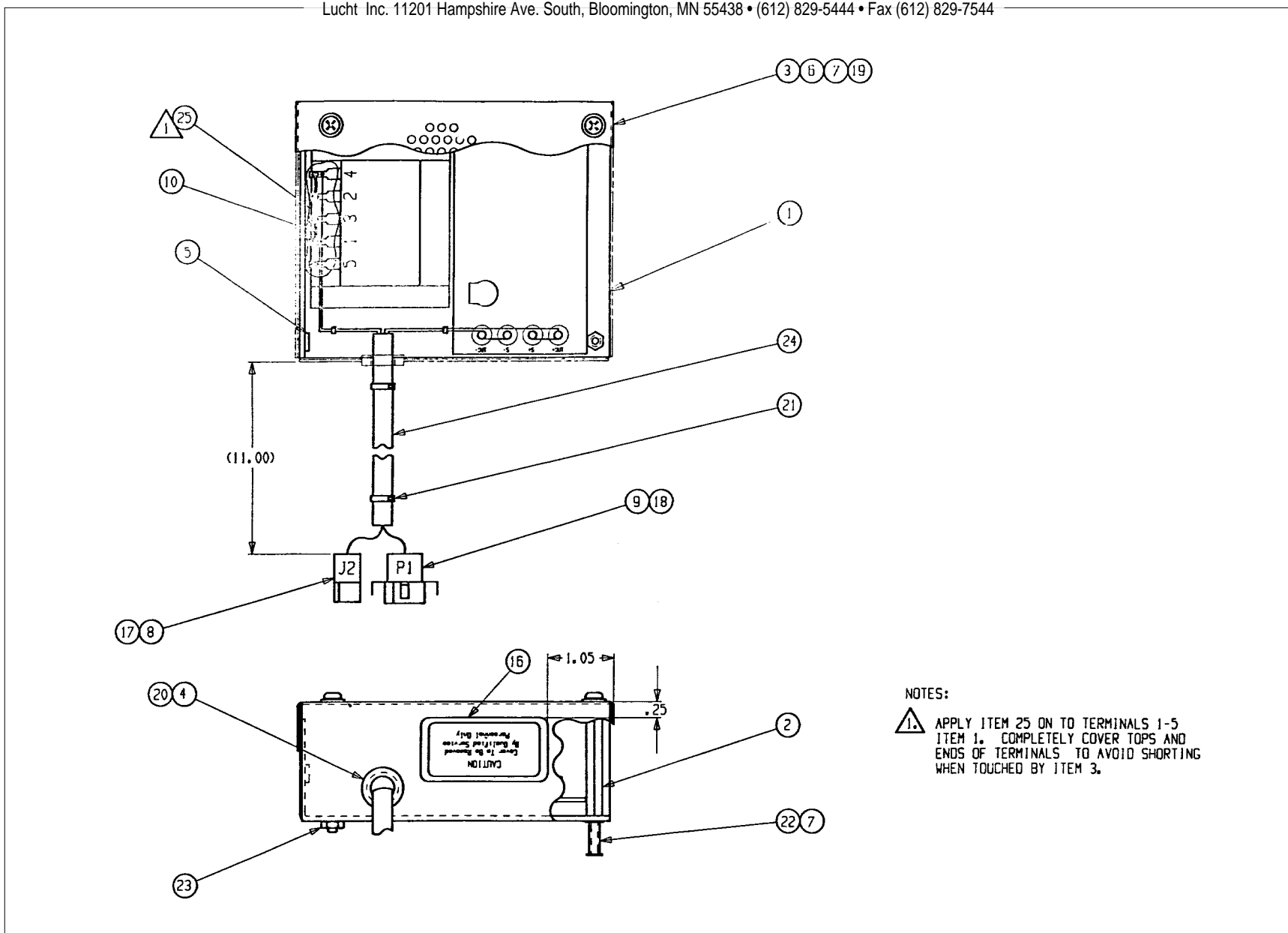


Figure 14 — Power Supply Assembly, 5-Volt (368479)