

Parts Lists

Order parts by Lucht part number, description and quantity desired - not by item number. Individual parts that are part of a larger assembly are indented and listed under the assembly description. If you order an assembly number, all the parts indented under that number will be included in the order.

Accudata Backwriter Cables

<i>Item#</i>	<i>Part#</i>	<i>Description</i>
1	B50479	Cable - Motor Driver, Dual Head
2	B50701	Cable - Motor Driver, Single Head
3	B50397	Cable - Interface, Backwriter
4	B50465	Cable - Driver, Accudata
5	B50509	Cable - Sensor, Backwriter, VP-2 & TD
6	B50478	Cable - Sensor, Backwriter, V-7

Excellerator Backwriter Cables

<i>Item</i>	<i>Part#</i>	<i>Description</i>
1	373319	Cable-Paper Stepper Box
2	B50479	Cable-Motor Driver, Dual Head
3	373915	Cable-Serial, Excellerator
4	373198	Cable-Driver, Excellerator
5	B50701	Cable-Motor Driver, Single Head

Lucht, Inc., 11201 Hampshire Ave. S., Bloomington, MN 55438-2454 • (612) 829-5444 • Fax (612) 829-7544

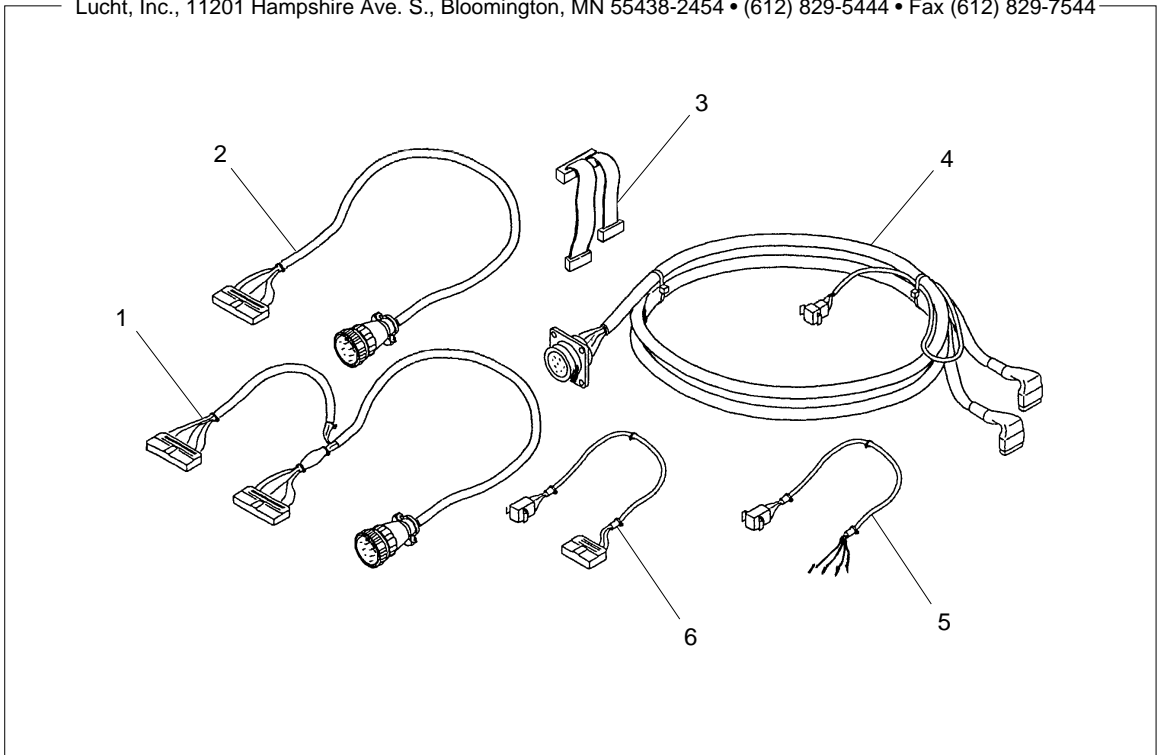


Figure 19 — Accudata Backwriter Cables

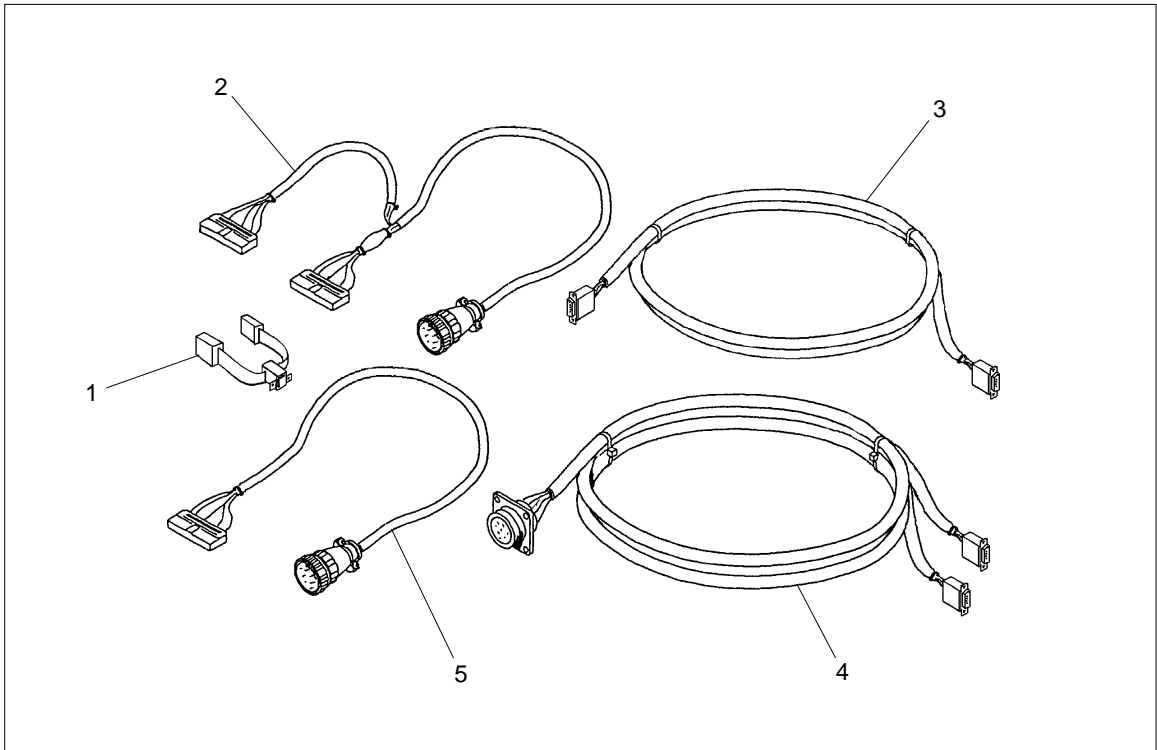


Figure 20 — Excellerator Backwriter Cables

Printheads and Related Hardware (All Except DCSP)

<i>Item</i>	<i>Part#</i>	<i>Description</i>
1	373231	Brace-Printer, Backwriter
2	373232	Mount-Backwriter
3	373233	Bracket-Printer Head (Not Shown)
4	B45754	Printhead Assembly-Back
5	B45753	Printhead Assembly-Front
6	B59168	Spring Platen-Backwriter
7	B56823	Support-Spring Platen
8	373338	Mount-Spring Platen
9	B58750	Paper Guide-Adjustable
10	B58766	Plate-Nut, Four Hole
11	B58751	Bracket-Upper Front
12	130162	Paper Drive Roller (Not Shown)
13	373024	Platen Assembly-Vacuum (Not Shown)

Lucht Inc., 11201 Hampshire Ave. S., Bloomington, MN 55438-2454 • (612) 829-5444 • Fax (612) 829-7544

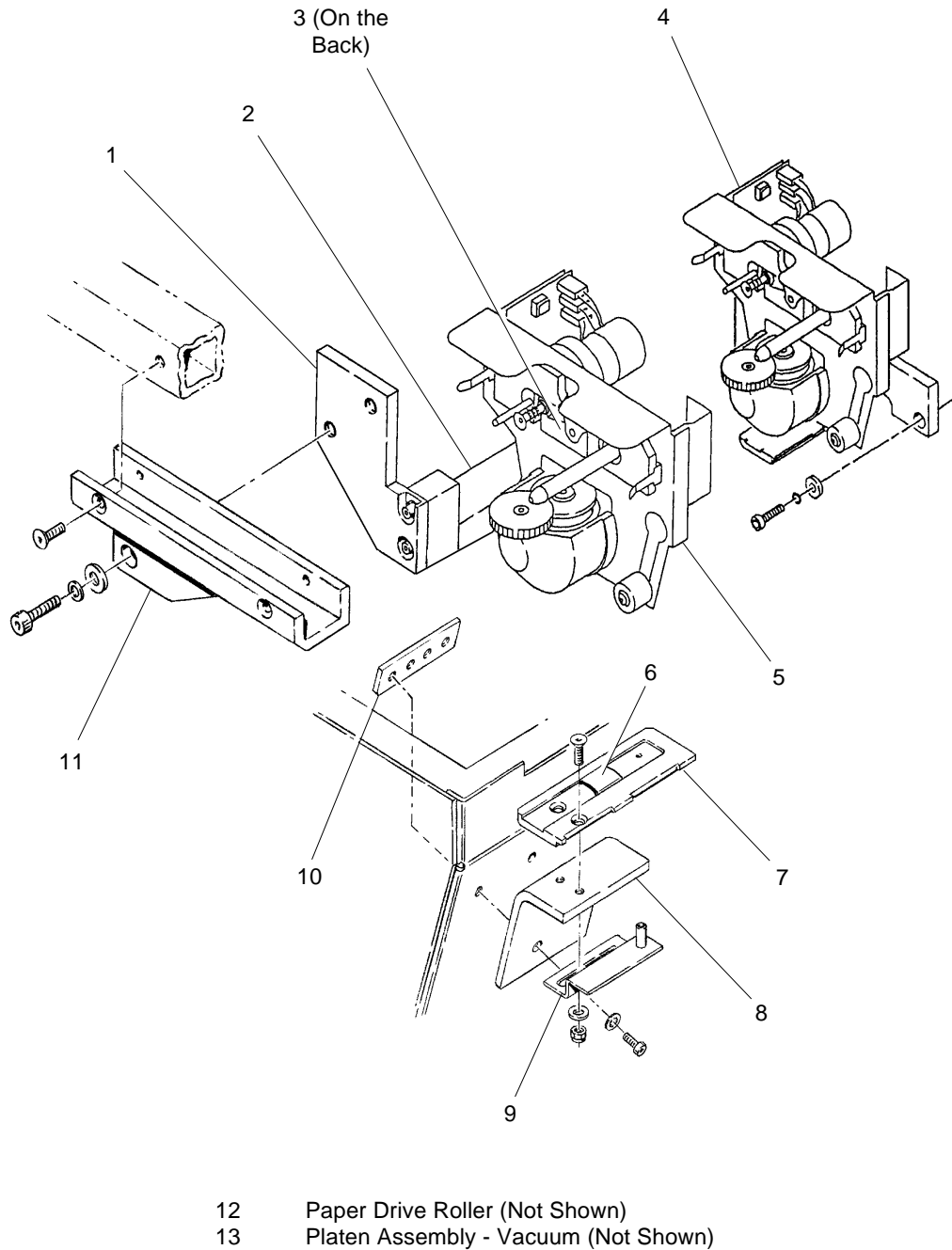
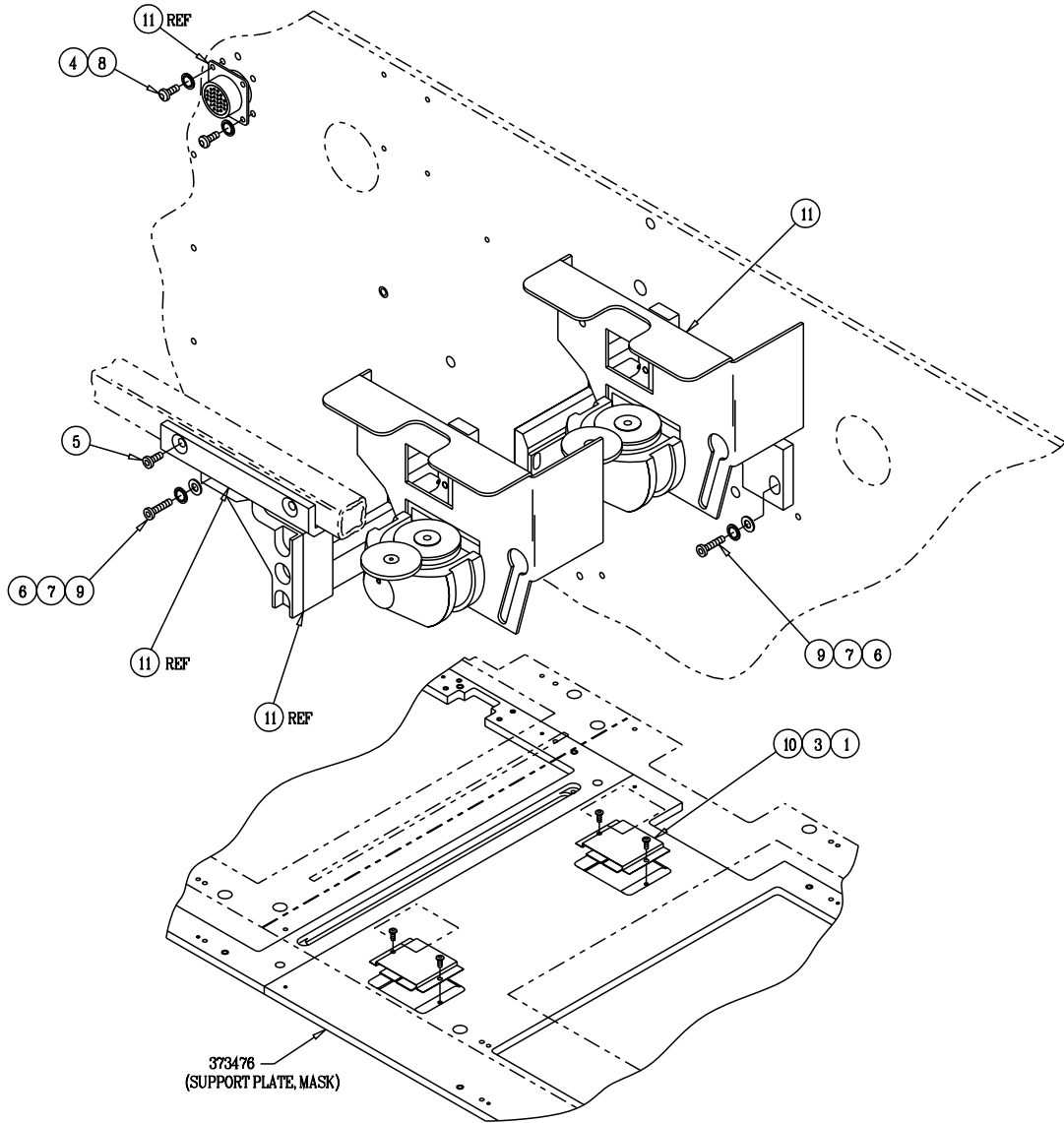


Figure 21 — Printheads and Related Hardware (All Except DCSP)

Print Head and Related Hardware (Accudata DCSP Only)

<i>Item</i>	<i>Part#</i>	<i>Description</i>
	374109	Kit-Instl/Retro, DLBW, DCSP, Accudata
1	373511	Plate-Striker, Dual Line Backwriter, DCSP
2	500134	Manual-Install, Dual Line Backwriter
3	700068	Screw-Cap, SKBHC, 4-40 x .25, Blk
4	700331	Screw-Cap, SKBHC, 6-32 x .25, Blk
6	700564	Screw-Cap, SK, 1/4-20 x .75, Blk
7	700598	Washer-Lock, Int, 1/4,Blk
8	700600	Washer-Lock, Int, No.6, Blk
10	706472	Tape-Foam, Adhesive, .50W, .025 Thk, VHB
11	707517	Printer-Back, Dual Line, Multi-Lens, Accudata

Lucht Inc., 11201 Hampshire Ave. S., Bloomington, MN 55438-2454 • (612) 829-5444 • Fax (612) 829-7544



Note - Paper Mask 373477 not shown for clarity.

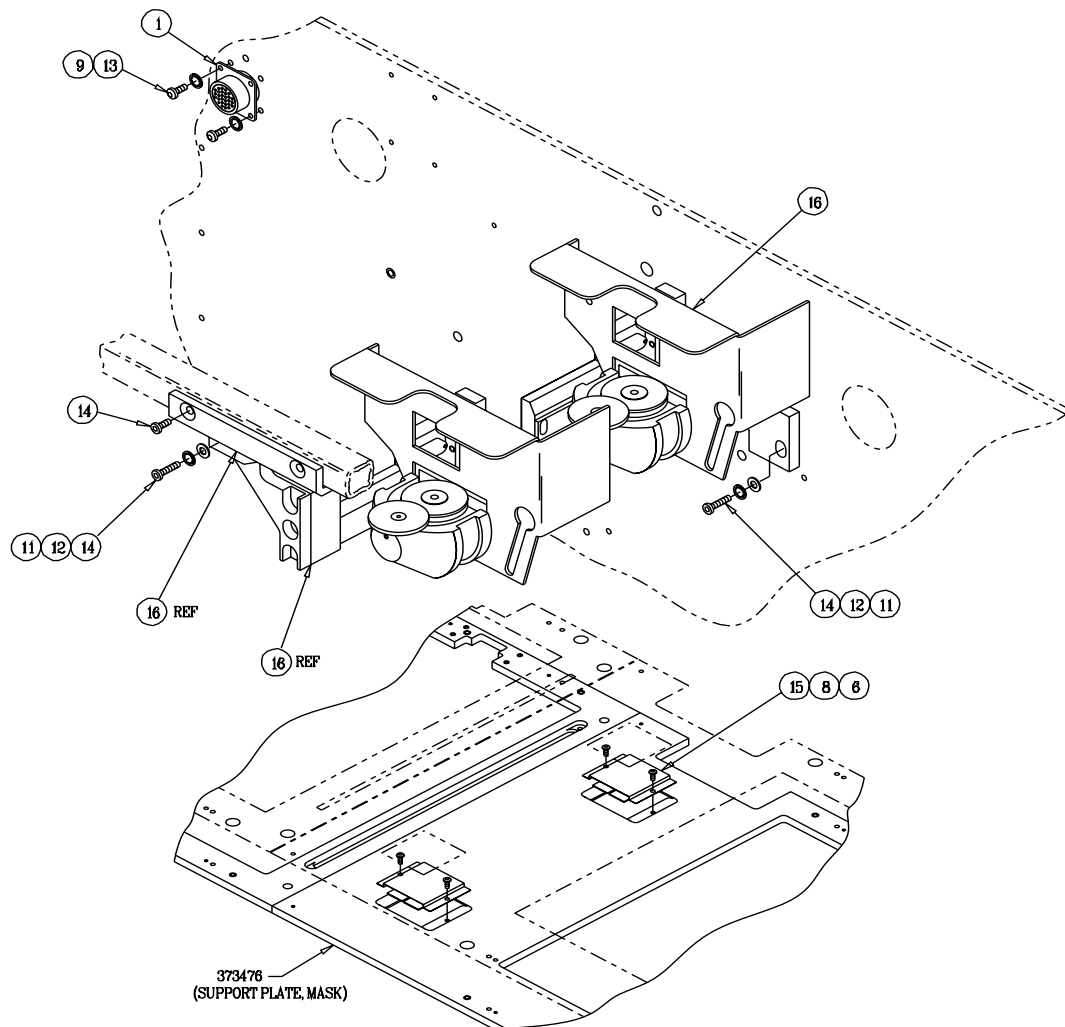
3734109 Rev. B

Figure 22 — Print Head and Related Hardware (Accudata DCSP Only)

Print Head and Related Hardware (Excellerator DCSP Only)

<i>Item</i>	<i>Part#</i>	<i>Description</i>
	373659	Kit-Instl/Retro, DLBW, DCSP, Excellerator
1	373198	Wire Harness-Driver Cable, Dual Line Backwriter
2	373216	Power Supply Assy-Dual, DLBC, Excell
3	373238	Wire Harness-Serial Cable, DLBC, Excell
4	373319	Cable Assy-Paper Stepper Box, DLBC, Excell
5	373346	Schematic-Machine, , DLBC, Excell
6	373511	Plate-Striker, Dual Line Backwriter, DCSP
7	500134	Manual-Install, Dual Line Backwriter
8	700068	Screw-Cap, SKBHC, 4-40 x .25, Blk
9	700331	Screw-Cap, SKBHC, 6-32 x .25, Blk
10	700335	Screw-Cap, SKFH, 1/4-20 x .50, Blk
11	700564	Screw-Cap, SK, 1/4-20 x .75, Blk
12	700598	Washer-Lock, Int, 1/4,Blk
14	701782	Spacer-Round, .257 ID, .562 OD, .50 Thk, CRS
13	700600	Washer-Lock, Int, No.6, Blk
15	706472	Tape-Foam, Adhesive, .50W, .025 Thk, VHB

Lucht Inc., 11201 Hampshire Ave. S., Bloomington, MN 55438-2454 • (612) 829-5444 • Fax (612) 829-7544



Notes:

1. Paper Mask 373477 not shown for clarity.
2. Items 2 – 5 and 7 not shown.

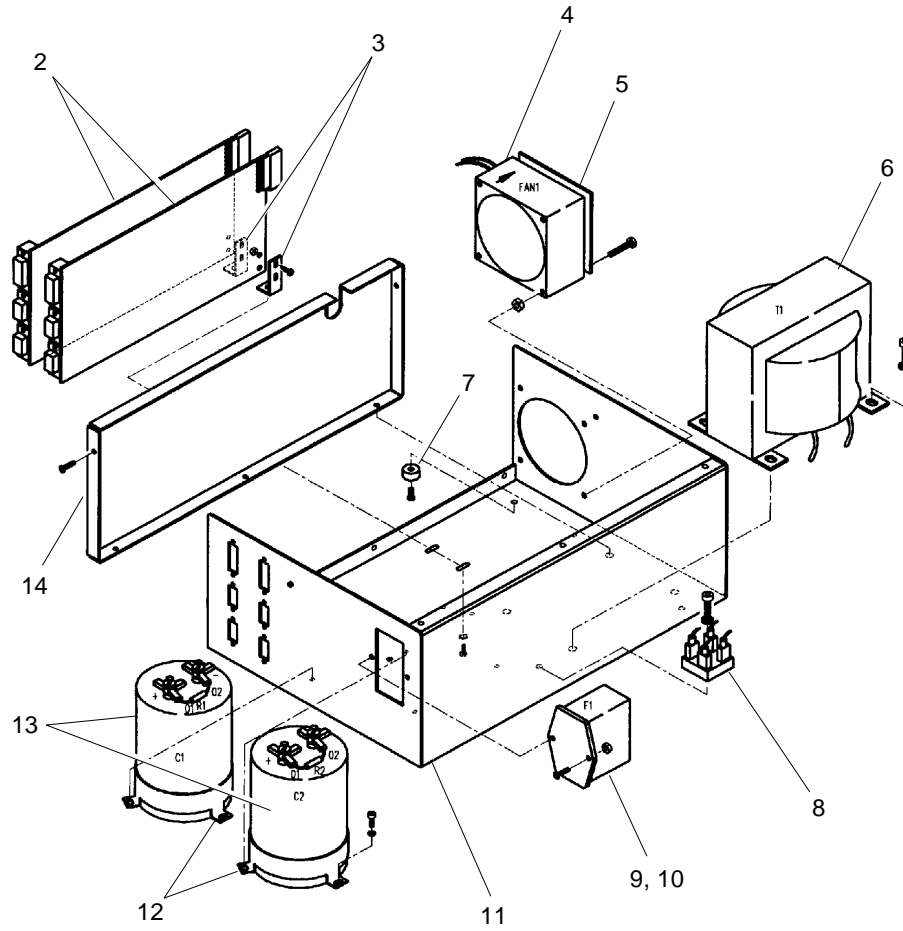
373659 Rev. D

Figure 23 — Print Head and Related Hardware (Excellerator DCSP Only)

Power Supply Parts (Excellerator Controlled Printers Only)

Item	Part#	Description
1	373216	Power Supply Assembly-Dual Line Backwriter
2	373161	PCB Assembly-Driver, Backwriter
3	373229	Bracket-PCB
4	703609	Fan-3.14 x 3.14
5	703610	Screen-Fan
6	707643	Transformer-28V, CT, 12A
7	700163	Bumper-Rubber
8	703031	Rectifier-Bridge, 400V, 10A
9	707434	Filter-AC, 110/250V, 50/60 Hz
10	707708	Fuse-GMA, 5A, 250V, F/B, 5mm x 20mm
11	373227	Enclosure-Power Supply
12	703032	Mount-Capacitor
13	703033	Capacitor-Electrolytic, 22000 mfd, 50V, Alum.
14	373228	Bracket-Separator

Lucht Inc., 11201 Hampshire Ave. S., Bloomington, MN 55438-2454 • (612) 829-5444 • Fax (612) 829-7544



1 Power Supply - Dual Line Backwriter, Excellerator

Figure 24 — Power Supply Parts (Excellerator-controlled Printers Only)