

Lucht Inc. 11201 Hampshire Ave. South, Bloomington, MN 55438 • (612) 829-5444 • Fax (612) 829-7544

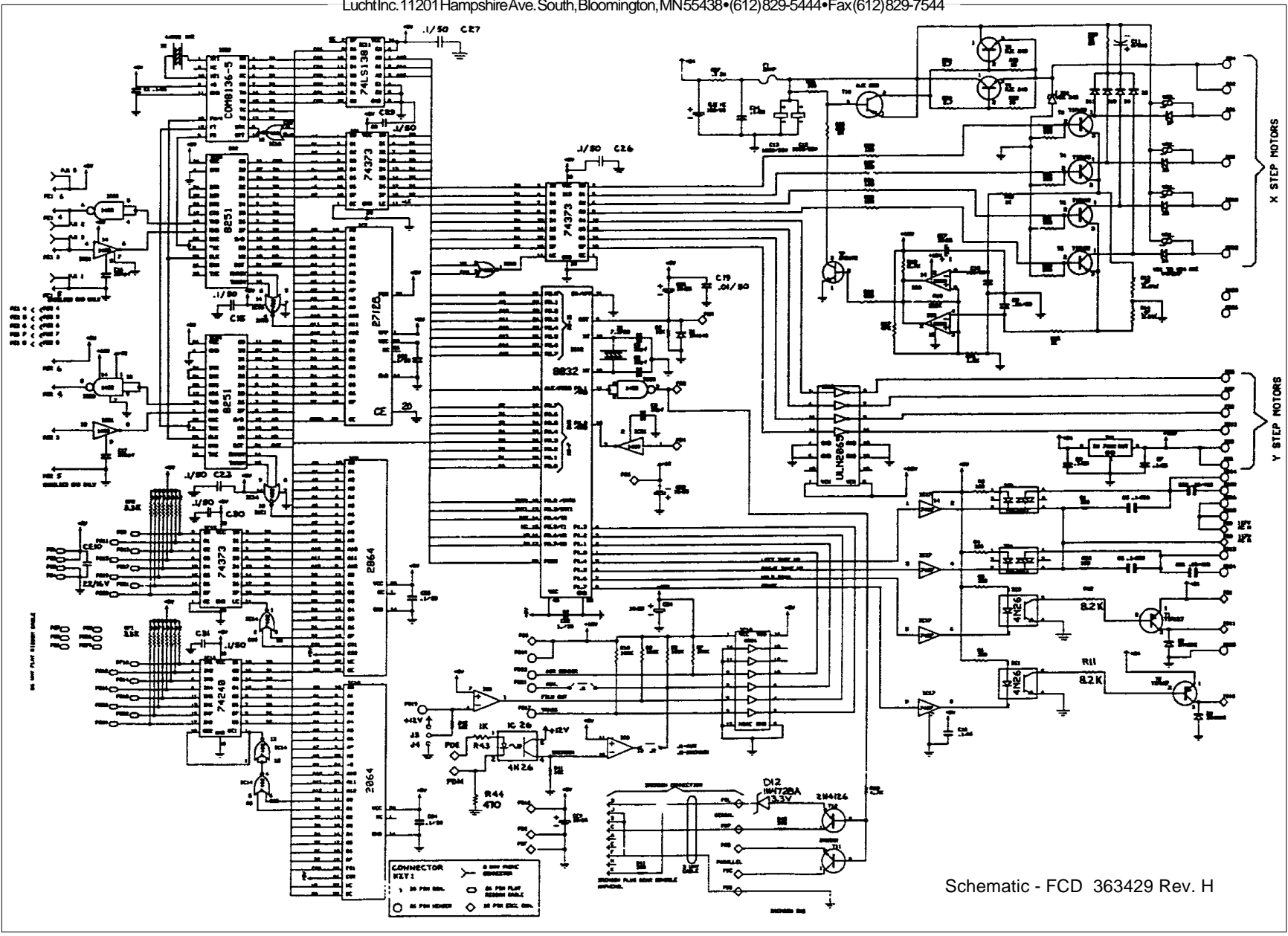
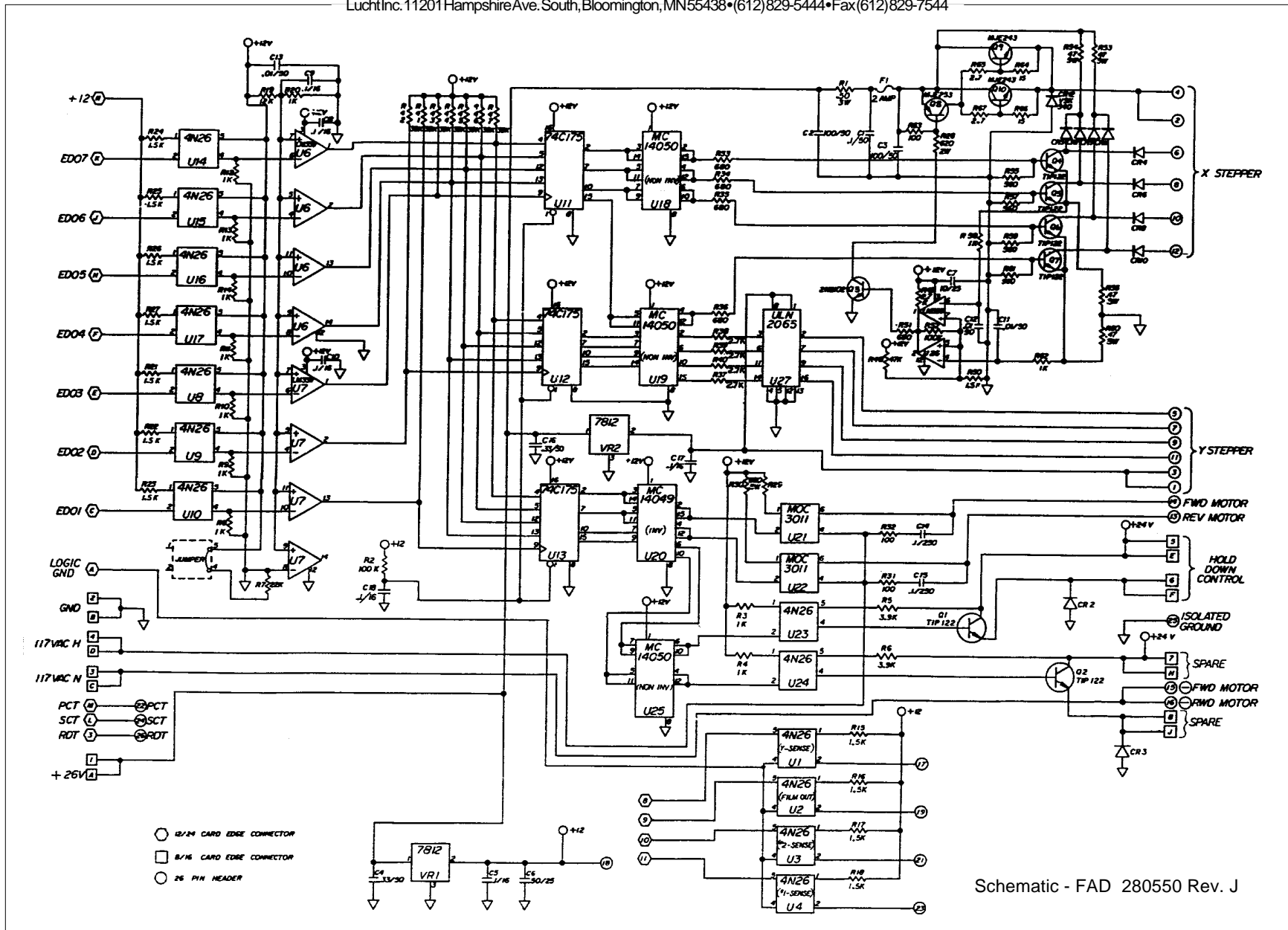


Figure 11 — Schematic - FCD PCB



Schematic - FAD 280550 Rev. J

Figure 12 — Schematic - FAD PCB



## Automatic Roll Film Advance

Item #	Part #	Description	Item #	Part #	Description
	373331	Auto Film Adv. W/Auto Y, Tacky Rollers	30	704454	Clutch - Spool
	373330	Auto Film Adv. W/Manual Y, Tacky Rollers	31	701600	Gear - Spur, Pin Hub, .25 I.D. x .83
	365485	Auto Film Adv. W/Auto Y, Air Film Cleaner	32	280555	Motor Assembly - Synchronous
	356486	Auto Film Adv. W/Manual Y, Air Film Cleaner	33	280561	Spacer - Motor
1	100270	Assembly - Auto Film Adv.	34	701609	Gear - Spur, Pin Hub, .25 I.D. x .48
2	290288	Thumbscrew	35	280560	Assy - Stepping Motor
3	701773	Clamp - Cable, Flat	36	110597	Bracket - Terminal
4	700526	Collar	37	701716	Block - Terminal
5	364579	Sensor Assembly - Fiber Optic	38	320215	Harness - Wire
6	120426	Cover - FAS PCB	39	701391	Cover - Terminal Block
7	367455	Board - Film Advance Sensor (FAS)	40	701601	Gear - Spur, Pin Hub, .25 I.D. x 1.2
8	374553	Block - Sensor	41	701647	Spring - Compression
9	220417	Bracket - Mounting	42	100245	Arm - Tension Roller
10	706196	Sensor Assembly (incl. with item 7)	43	701605	Bearing - Flanged
11	369432	Frame - Film Advance	44	280556	Shaft - Carrier
12	290287	Thumbscrew	45	700566	Setscrew, 8-32 x 1/4"
13	701628	Shaft - .2497 D. x 6.0 L	46	369417	Cam - Actuator
14	160234	Guide - Film	47	700295	Clamp - Cable
15	701776	Setscrew - 4-40 x 1/8"	48	373373	Plate - Mounting, Sensor
16	701266	Ring - Retainer, .338" I.D.	49	340101	Mount - Y-Actuator
17	280559	Shaft - Slide, Right	50	701680	Bearing - Nylon, .251" I.D.
18	701195	Pin - Dowel, 1/8" x 1/2"	51	210255	Latch - Guide
19	701491	Bearing - Ball	52	150249	Spacer - Spool Flange
20	280614	Shim .005" Thick	53	374665	Assembly - Spool Flange
20	280615	Shim .010" Thick	54	150249	Flange - Self Locking Spool
20	280616	Shim .020" Thick	55	374385	Latch - Flange, Spool
21	700918	Ring - Retaining, .230 I.D.	56	374384	Hub - Spool Flange
22	280558	Shaft - Slide, Left	57	704044	Knob - Control
23	701611	Ring - Retaining, Internal	58	230143	Carrier Assembly - Pinch Roller
24	707784	Bushing, .625 O.D.	59	700566	Setscrew - 8-32 x .125
25	702670	Mount - Tie, Screw-on	60	280590	Shaft - Adjustment
26	280597	Shaft - Spool	61	700347	Setscrew - 6-32 x .19
27	130237	Roller - Drive			
28	280517	Spacer - Film			
29	701273	Setscrew - 6-32 x 3/8"			

Continued

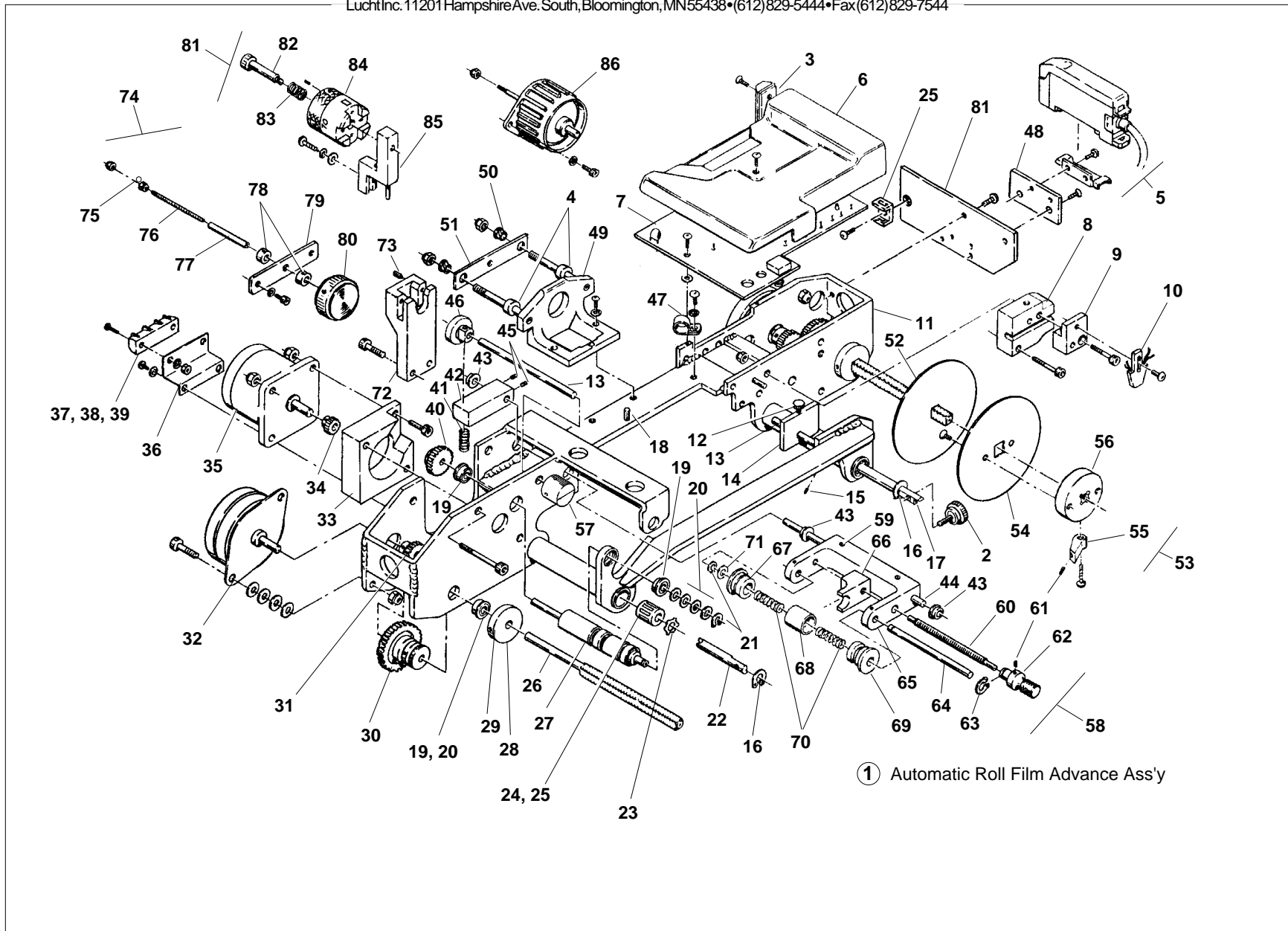


Figure 14 — Automatic Roll Film Advance - Exploded View

## Automatic Roll Film Advance (cont'd)

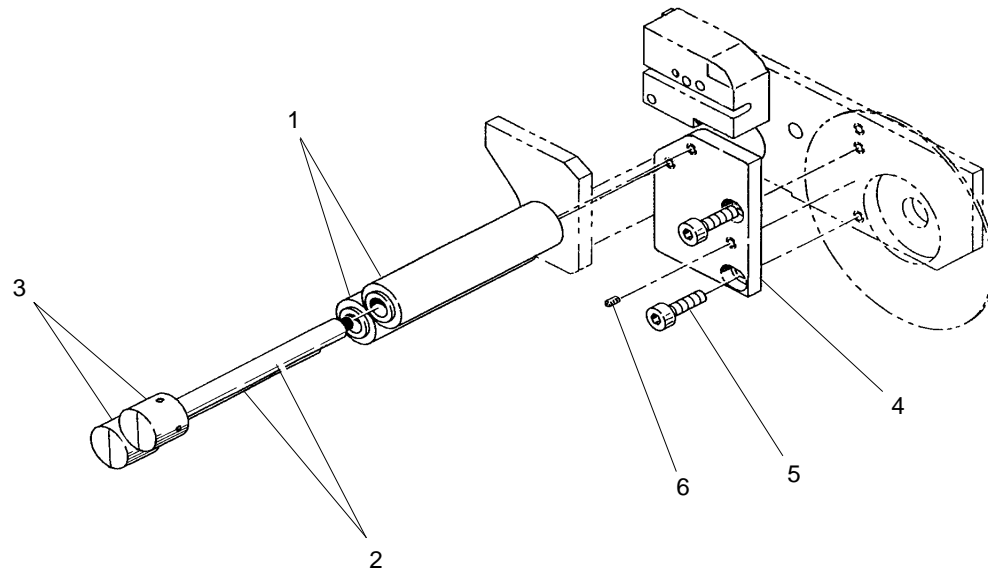
---

<i>Item #</i>	<i>Part #</i>	<i>Description</i>
62	200138	Knob - Adjusting
63	701688	Ring - Retaining, Ext. Bowed
64	375255	Shaft - Pinch Roller
65	120419	Carrier - Pinch Roller
66	150251	Fork - Adjusting
67	375251	Roller - Flanged, Fixed
68	375252	Roller - Support, Sliding
69	375253	Roller - Flanged, Adjusting
70	708504	Spring - Compression
71	280616	Shim - .020 Thick
21	700918	Ring - Retaining, .230 I.D.
72	270274	Retainer - Latch
73	701262	Plunger - Ball
74	340115	Manual Y-Actuator Kit
75	701698	Washer - Wave Spring, .367 O.D.
76	340107	Rod - Y-Movement
77	100261	Actuator - Y-Movement
78	700526	Collar - Setscrew
79	200148	Keeper - Actuator
80	701621	Knob - Control
81	374577	Adaptor - Mount, Sensor
82	700128	Screw - SHS, .25 x .75, 10-24
83	701613	Spring - Compression
84	340104	Selector - Y-Center
85	340103	Selector Mount - Y-Center
86	369445	Assembly - Y-Actuator
	364818	Kit - Cable, Interconnect (not shown)
	363428	PCB - FCD (If Adv. has FCD upgrade) (not shown)
	250485	PCB Assembly - FAD (Film Advance Driver) (not shown)
	360277	Power Supply Assembly (not shown)
	705438	Relay - DPDT, 24 VDC, 10A (not shown)

***PTR Film Cleaner (Optional)***

---

<i>Item #</i>	<i>Part #</i>	<i>Description</i>
1	373239	Roller Assy - w/Bearings
2	372640	Shaft - PTR
3	704044	Knob - Control
4	373837	Plate - Mount, PTR
5	700563	Screw - Cap, SK, 10-32 x .38, Blk
6	700567	Screw - Set, SK KCP, 10-32 x .25, Blk



**Figure 15** — PTR Film Cleaner (Optional)